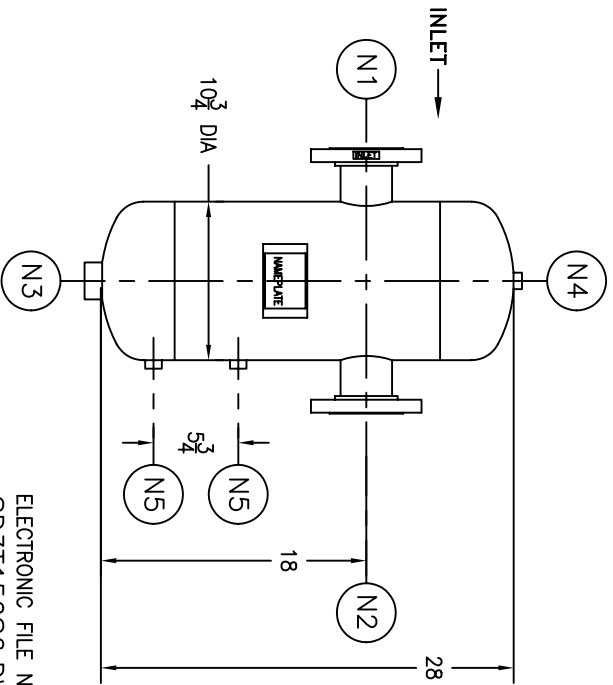
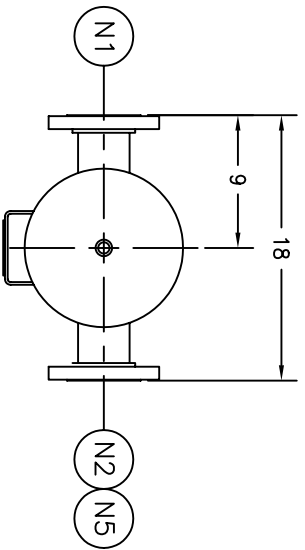


NOZZLE SCHEDULE		
ITEM	QTY.	NAME DESCRIPTION
N1	1	INLET 3" - 150# RFSO, B16.5
N2	1	OUTLET 3" - 150# RFSO, B16.5
N3	1	DRAIN 1-1/2" - NPT 3000# COUPLING
N4	1	VENT 1/2" - NPT 3000# COUPLING
N5	2	W.G. CONNS. 1/2" - NPT 3000# COUPLING



REV	DATE	CHANGE	ECR	BY	APP
A	10/6/98	NEW ISSUE	6742	AB	DP
B	6/5/01	ADDED P/N FOR "U" & "UM"	9429	GC	VH
C	11/1/05	REVISED TITLE BLOCK	D507	FM	LH

- UNITS ARE TO BE DESIGNED AND FABRICATED, & "U" OR "UM" STAMPED (IF REQUIRED) IN ACCORDANCE WITH ASME B & PV CODE, SECTION VIII, DIVISION 1, IN COMPLIANCE TO CURRENT PUBLISHED ADDENDA.
- ALL DIMENSIONS ARE IN INCHES.
- ALL BOLT HOLES ARE TO STRADDLE NATURAL CENTERLINES.
- SHIPPING WEIGHT: 90 POUNDS
- DESIGN DATA:
  - DESIGN PRESSURE- 150 PSIG
  - DESIGN TEMPERATURE- 300°F
  - MIN. DESIGN METAL TEMP.- -20°F AT 150 PSIG
  - HYDROTEST PRESSURE- 195 PSIG
  - CORROSION ALLOWANCE- 0 INCHES
- MATERIAL: 316L SSTL

## STANDARD

CUSTOMER:  
 REG. NO.:  
 P.O. NO.:  
 TAG NO.:  
 PART NO.: 3T150S6, 3T150S6U, & 3T150S6M

ELECTRONIC FILE NAME:  
 SD3T150S6.DWG

TOLERANCES UNLESS OTHERWISE SPECIFIED  
 PER ENGINEERING STANDARD ES- - -

UNAUTHORIZED USE, MANUFACTURE OR  
 REPRODUCTION IN WHOLE OR IN PART IS  
 PROHIBITED. DRAWING, DESIGN AND  
 OTHER DISCLOSURES PROPERTY OF  
 EATON FILTRATION, LLC



**EATON FILTRATION, LLC**  
 900 FARMOUNT AVENUE, ELIZABETH, NEW JERSEY 07207  
 NAME 3" TYPE "T" GAS/LIQUID SEP.  
 150# RF FLG. 316L SSTL

DRAWN	AB	DATE	10/06/98	CHECKED	DP	DATE	10/06/98
APP	--	DATE	--	SCALE	NTS	ECR	6742
SIZE	DWG	NO		SD3T150S6		REV	C