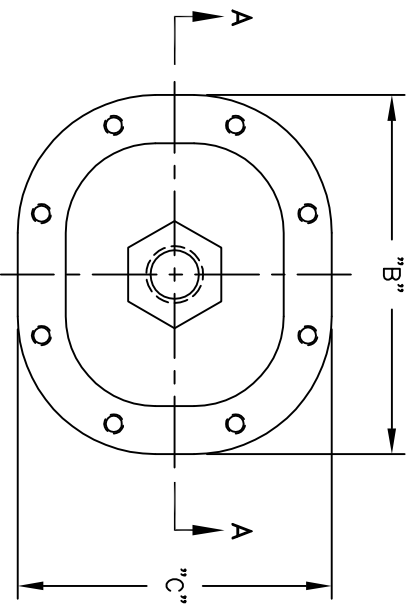
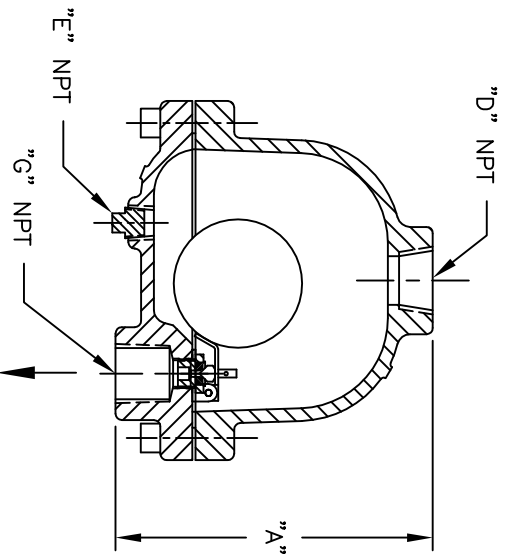


PART NO.	DIMENSIONS								WEIGHT	
	"A"	"B"	"C"	"D"	"E"	"F"	"G"	LBS	KGS	
95SSSACAN	6.25 / 159	7.00 / 178	6.13 / 156	1 / 25	3/8 / 10	---	1 / 25	17	7.7	
95SSSAC-SIAN	7.50 / 191	7.00 / 178	6.13 / 156	1 / 25	3/8 / 10	1/2 / 13	1 / 25	19	8.6	



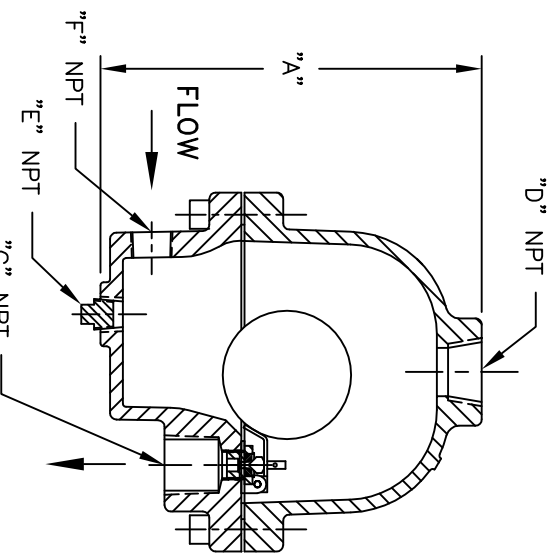
FLOW



SECTION A-A  
P/N: 95SSSACAN



1. ALL DIMENSIONS ARE IN INCHES [MM].
2. DESIGN DATA:  
DESIGN PRESSURE-  
500 PSIG [34.4 BARS]  
DESIGN TEMPERATURE-  
450° F [232.2 °C]  
MIN. DESIGN METAL TEMP.-  
-20° F @ 5000 PSIG  
[-28.9° C @ 34.4 BARS]
3. MATERIAL: BODY & COVER - STAINLESS STEEL SA351 CF8M  
INTERNALS - STAINLESS STEEL
4. VALVE SEAT 3/32" HARD 303 SSTL




(SIDE INLET)  
P/N: 95SSSAC-SIAN

CERTIFIED FOR:  
P.O. NO.:  
S.O. NO.:  
QUOTE NO.:  
TAG NO.:

ELECTRONIC FILE NAME: SD95ASAN.DWG  
REF. ECR D507  
DATE 10/18/05

UNAUTHORIZED USE, MANUFACTURE OR  
REPRODUCTION IN WHOLE OR IN PART IS  
PROHIBITED. DRAWING, DESIGN AND  
OTHER DISCLOSURES PROPERTY OF  
EATON FILTRATION, LLC

C		ADD NOTE 4 FOR VALVE SEAT SPEC		JY	0075178	8/28/2012		
REV	DESCRIPTION	BY	ECO NO.	DATE				
 <b>EATON FILTRATION, LLC</b> 900 FAIRMOUNT AVENUE, ELIZABETH, NEW JERSEY 07207 NAME TYPE 95-AC FLOAT DRAIN TRAPS FOR COMPRESSED AIR & GAS SERVICE STAINLESS STEEL								
DRAWN	FM	DATE	5/24/04	CERT.	VAA	DATE	5/24/04	
SIZE	DWG	SD95ASAN					REV	C