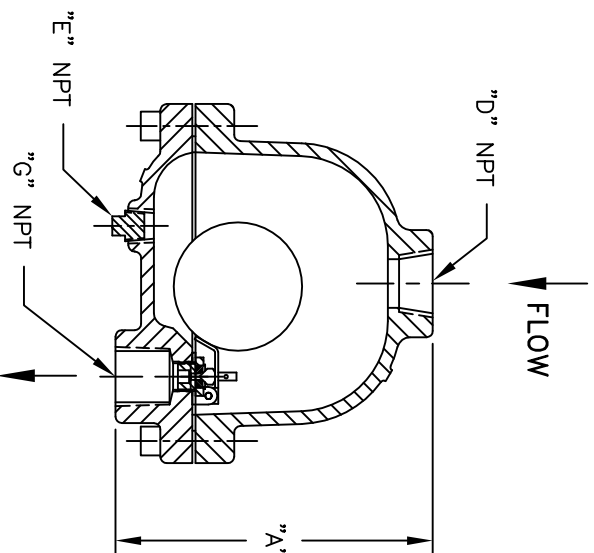
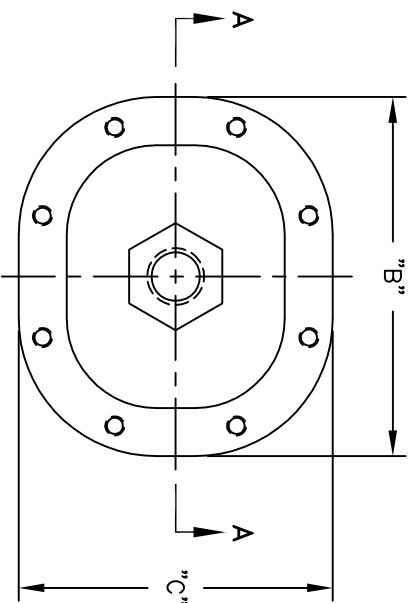
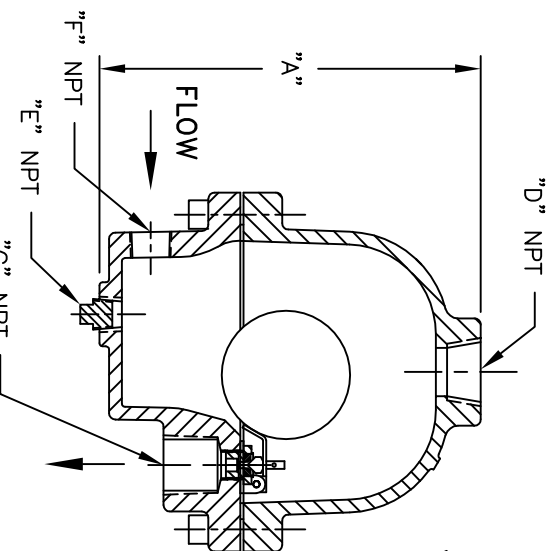


PART NO.	DIMENSIONS								WEIGHT	
	"A" IN. MM	"B" IN. MM	"C" IN. MM	"D" IN. MM	"E" IN. MM	"F" IN. MM	"G" IN. MM	LBS	KGS	
95CSACAN	6.25 / 159	7.00 / 178	6.13 / 156	1 / 25	3/8 / 10	---	1 / 25	17	7.7	
95CSAC-SIAN	7.50 / 191	7.00 / 178	6.13 / 156	1 / 25	3/8 / 10	1/2 / 13	1 / 25	19	8.6	



SECTION A-A
P/N: 95CSACAN



(SIDE INLET)
P/N: 95CSAC-SIAN

NOTES:

1. ALL DIMENSIONS ARE IN INCHES [MM].
2. DESIGN DATA:

DESIGN PRESSURE- 500 PSIG [34.4 BARS]
 DESIGN TEMPERATURE- 450° F [232.2 °C]
 MIN. DESIGN METAL TEMP.- -20° F @ 500 PSIG
 [-28.9° C @ 34.4 BARS]

3. MATERIAL: BODY & COVER - CARBON STEEL, SA216 WCB
 INTERNALS - STAINLESS STEEL

CERTIFIED FOR:
 P.O. NO.:
 S.O. NO.:
 QUOTE NO.:
 TAG NO.:

PART NO.	ORIFICE	MATERIAL
95CSACAN	3/32"	SSTL.
95CSACCN	5/32"	VITON
95CSACDN	1/8"	VITON

ELECTRONIC FILE NAME: SD95ACAN.DWG
 REF. ECR 0034583 DATE 09/01/09

UNAUTHORIZED USE, MANUFACTURE OR
 REPRODUCTION IN WHOLE OR IN PART IS
 PROHIBITED. DRAWING, DESIGN AND
 OTHER DISCLOSURES PROPERTY OF
 EATON FILTRATION, LLC

EATON

EATON FILTRATION, LLC
 900 FAIRMOUNT AVENUE, ELIZABETH, NEW JERSEY 07207
 NAME TYPE 95-AC FLOAT DRAIN TRAPS
 FOR COMPRESSED AIR & GAS SERVICE
 CARBON STEEL

SIZE	DWG NO	DATE	CERT.	DATE	REV
A	FM	5/24/04	VAA	5/24/04	C

SD95ACAN