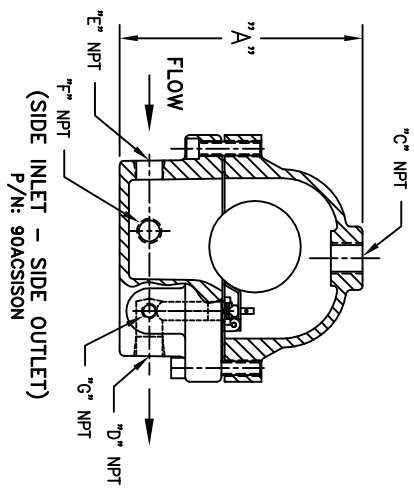
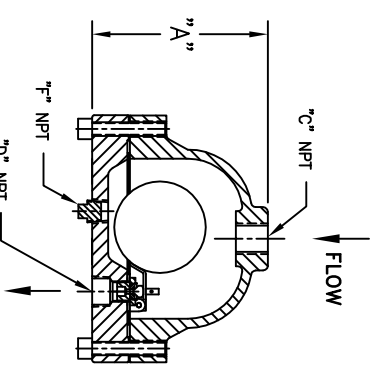
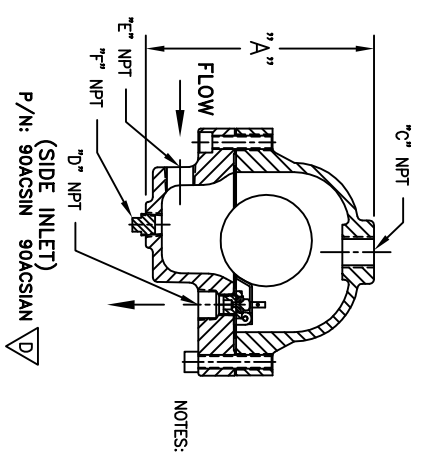
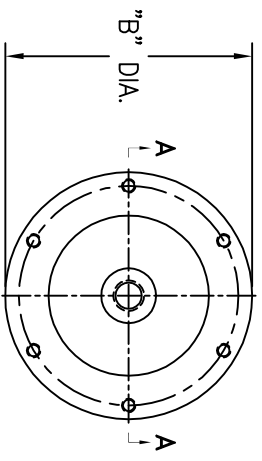


PART NO.	DIMENSIONS						WEIGHT	
	"A" IN. MM	"B" IN. MM	"C" IN. MM	"D" IN. MM	"E" IN. MM	"F" IN. MM	"G" IN. MM	LBS KGS
90ACN	4.80 / 122	6.75 / 171	3/4 / 20	3/4 / 20	---	3/8 / 10	---	19 / 8.6
90ACSIN	6.25 / 159	6.75 / 171	3/4 / 20	1/2 / 13	1/2 / 13	3/8 / 10	---	20 / 9
90ACSSIN	6.63 / 169	6.75 / 171	3/4 / 20	1/2 / 13	1/2 / 13	3/8 / 10	1/8 / 3	22 / 10

REVISIONS			
REV	DESCRIPTION	BY	ECO DATE
E	UPDATED DRAWING	FJM	01/30/28/12/28/16
F	ADDED PART NO. 90ACCN-CMTR & NOTE 4	FJM	01/30/730 01/16/17



P/N: 90ACN 90ACAN 90ACCN 90ACCN-CMTR 90ACDN

(SIDE INLET - SIDE OUTLET)
P/N: 90ACSSIN

NOTES:
1. DIMENSIONS SHOWN IN [] ARE IN MILLIMETERS AND FOR REFERENCE ONLY. ACCEPTANCE OF THIS PART WILL BE BASED ON "INCH" UNITS & TOLERANCES ONLY.
2. DESIGN DATA:
DESIGN PRESSURE- 250 PSIG [17.2 BARS]
DESIGN TEMPERATURE- 450° F [232.2 °C]
MIN. DESIGN METAL TEMP.- -20° F @ 250 PSIG
[-28.9° C @ 17.2 BARS]

3. MATERIAL: BODY & COVER - CAST IRON, SA-278 CLASS 30
INTERALS - STAINLESS STEEL
4. ORT: CERTIFIED MATERIAL PER ASME SECT. VIII. CMTR IS REQUIRED FOR HEADS, PLATE & PIPE. FITTINGS, FLANGES & FORGINGS SHALL BE MARKED IN ACCORDANCE WITH ASME SECTION II AND ANSI STANDARDS.
NOTE 4: APPLIES TO PART NUMBER 90ACCN-CMTR

PART NO.	ORIFICE	MATERIAL
90ACN	1/8"	VITON
90ACAN	3/32"	SSTL
90ACCN	5/32"	VITON
90ACCN-CMTR	5/64"	SSTL
90ACDN	3/32"	SSTL

CUSTOMER INFO	
NAME	
P.O. NO.	
QTY.	
S.O. NO.	
PART NO.	
TAG NO.	

TOLERANCES (UNLESS OTHERWISE SPECIFIED)	
DECIMAL:	.X ± .030 .XX ± .010 .XXX ± .005
FRACTIONAL:	± 1/16 ± 1/32 ± 1/64
FACE TO FACE:	± .005
ANGULAR:	± 1'
FLANGES (H/A):	± 1'
BOLT HOLES MUST STRADDLE & MACHINED PARTS TO BE FREE OF BURRS FOR ADDITIONAL TOLERANCE DETAILS REF: ES-211, ES-222 AND ES-223	
REVIEWED FOR CLASSIFICATION PER PR-4	
CRITICAL	SIGNIFICANT

DRAWN BY	
SCALE	AS DRAWN
RESTRICTION	RESTRICTED
SHEET	1 OF 1
PROJECTION	THIRD ANGLE

HYDRAULICS GROUP
F L T T R A T I O N D I V I S I O N
QUESBURY, MICHIGAN, USA • TINTON FALLS, NEW JERSEY, USA

RAYON

TYPE 90-AC FLOAT DRAIN TRAPS
FOR COMPRESSED AIR & GAS SERVICE
CAST IRON

DATE: 5/24/04
SIZE: A
DWG FILENAME: SD90ACCN
REV: F

THIS DOCUMENT INCLUDING THE DRAWING AND INFORMATION CONTAINED THEREIN IS CONFIDENTIAL AND IS THE EXCLUSIVE PROPERTY OF EATON. ANY TIME BY USING THE INFORMATION CONTAINED HEREIN FOR ANY PURPOSE OTHER THAN THAT AUTHORIZED BY EATON, YOU WILL BE DEEMED TO HAVE ACCEPTED THE TERMS AND CONDITIONS OF EATON'S CONFIDENTIALITY AGREEMENT. THE USER SHALL OBTAIN THE STATUS OF THIS DOCUMENT, 2014 EATON CORPORATION - TEL: 800.451.6000