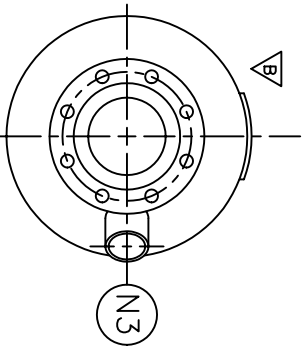
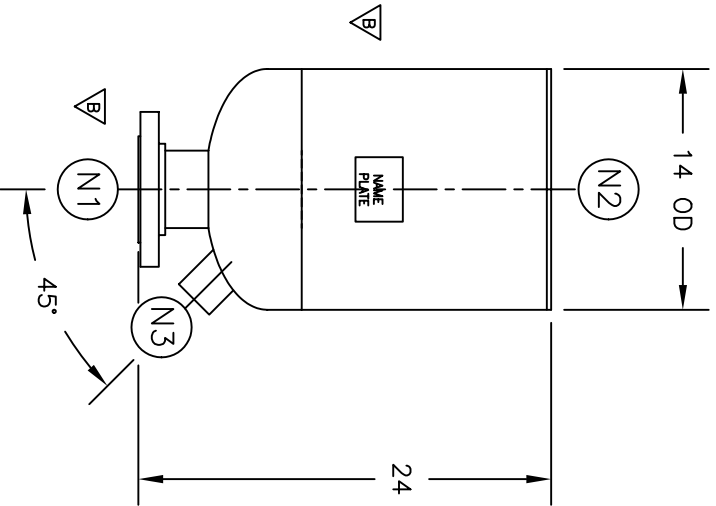


NOZZLE SCHEDULE			
ITEM	QTY.	NAME	DESCRIPTION
N1	1	INLET	4"-150# RFSO ASME B16.5
N2	1	OUTLET	4" STD-WT. PIPE
N3	1	DRAIN	1-1/2" NPT 3000# COUPLING

REV	DATE	CHANGE	ECR	BY	APP
A	2/16/01	NEW RELEASE	9231	GC	FG
B	12/05/03	DELETED NAMEPL. BRACKET, NAMEPL., INLET TAG, ADDED EXHAUST HEAD NAMEPL.	B892	LH	FM
C	11/1/05	REVISED TITLE BLOCK	D507	FM	LH



NOTES:

1. ALL DIMENSIONS ARE IN INCHES.
2. ALL BOLT HOLES ARE TO STRADDLE NATURAL CENTERLINES.
3. SHIPPING WEIGHT: 100 POUNDS.
4. DESIGN DATA:

DESIGN PRESSURE-
 DESIGN TEMPERATURE-
 CORROSION ALLOWANCE-
 5. MATERIAL: CARBON STEEL

ATMOSPHERIC
 AMBIENT
 0 INCHES

CUSTOMER:
 REG. NO.:
 P.O. NO.:
 TAG NO.:
 PART NO.: 4EHC

ELECTRONIC FILE NAME:
 SD4EHC.DWG
 TOLERANCES UNLESS OTHERWISE SPECIFIED
 PER ENGINEERING STANDARD ES- --

UNAUTHORIZED USE, MANUFACTURE OR
 REPRODUCTION IN WHOLE OR IN PART IS
 PROHIBITED. DRAWING, DESIGN AND
 OTHER DISCLOSURES PROPERTY OF
 EATON FILTRATION, LLC



EATON FILTRATION, LLC
 900 FAIRMOUNT AVENUE, ELIZABETH, NEW JERSEY 07207
 NAME
**4" TYPE "40-EHMF" EXHAUST
 HEAD 150# FLG CSTL**

DRAWN	GC	DATE	CHECKED	FJM	DATE	
APP	FG	2/16/01	SCALE	NTS	ECR 9231	
SIZE	DWG	SD4EHC				REV
A	NO					C