



## Multi-filter cartridge housings for the most demanding applications

The TOPCART multi-filter cartridge housings from Eaton are the best choice for the most demanding industrial applications.

These multi-filter cartridge housings are robust and ideal for industrial liquid filtration. TOPCART filter cartridge housings are made of high-quality stainless steel and are suitable for use with both DOE (double open ended) and SOE (single open ended) filter cartridges.

**300- to 600-series housings:** The filter housings have a concave lid which is fitted with hinged eyebolts. The inlet and outlet are on the side ("inline installation").

**1100- to 7300-series housings:** Depending on the type of housing, the filter housings are supplied with a flat or domed cover, with hinged eyebolts or segment clamp screws, with a loose-fitting cover or lifting swivel cover (hand wheel or hydraulic), with a side inlet and central bottom outlet.

Sealing of all housings is achieved by means of a NBR O-ring.

### Features

- 300- to 600-series housings:
  - Parts in contact with product: Stainless steel 1.4408/1.4571 (316/316Ti)
  - Housing connections (inlet and outlet): Flange DN40/PN16 or DN50/PN16 DIN EN 1092-1 and female thread G 1½" DIN ISO 228-1 or G 2" DIN ISO 228-1
- 1100- to 7300-series housings:
  - Parts in contact with product: Stainless steel 1.4571 (316Ti)
  - Housing connections (inlet and outlet): Flange DN80/PN16 DIN EN 1092-1, DN100/PN16 DIN EN 1092-1 or DN150/PN16 DIN EN 1092-1
- Available with drainage and venting
- Filter cartridges in double open ended (DOE) design, as well as single open ended (SOE) design with a maximum outer diameter of 64 or 71 mm can be used in lengths of 9¾", 10", 19½", 20", 29¼", 30", 39" or 40"
- Maximum permissible operating pressure: 10 bar or 16 bar
- Maximum permissible operating temperature: 120°C or 160°C

### Options

- NBR O-ring as standard for cover seal, optionally available in EPDM and FKM
- 1100- to 7300-series housings:
  - Special materials, such as HASTELLOY®
  - Design with heating jacket
  - On request, the vessels can be manufactured with testing by a notified body (CE certification in accordance with PED 2014/68/EU)
  - Installation of filter cartridges open on one side (SOE 226) as a special design

NBR: Nitrile Butadiene Rubber  
EPDM: Ethylene Propylene Diene Monomer Rubber  
FKM: Fluoro Rubber  
PED: Pressure Equipment Directive  
HASTELLOY® is a registered trademark of Haynes International Inc.



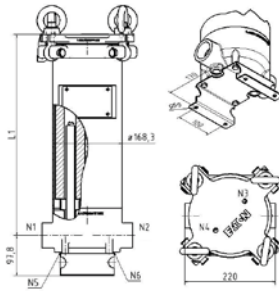
Powering Business Worldwide

# TOPCART Multi-Filter Cartridge Housings

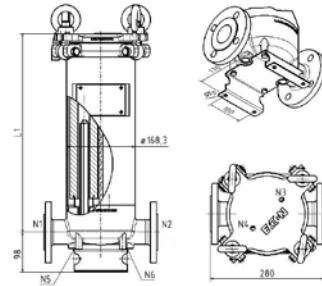
## Applications

Coarse filtration > 500 µm	
Medium filtration > 10 µm	✓
Fine filtration < 10 µm	✓
<hr/>	
Pre-filtration	✓
Safety filtration	✓
High volume	
Batch filtration	✓
Circuit filtration	✓
Continuous filtration	✓
<hr/>	
Solvents, paints	✓
Fats and oils	
Catalysts, activated carbon	✓
Acids, bases	✓
Petrochemicals	
Water, waste water	✓
Chemical industry	✓
Pharmaceuticals	
Metal cleaning	✓
Automotive industry	
Electronics	
Food and beverage	
Paint and lacquer	✓
Water treatment	✓
Galvanic industry	✓

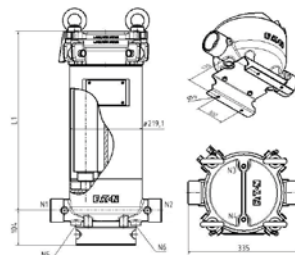
## Types



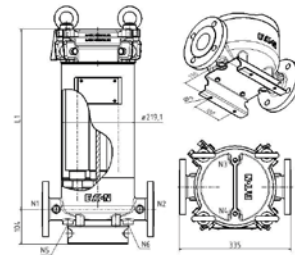
TKF-3(...)AD16-040B  
TKF-3(...)AD16-040B-226



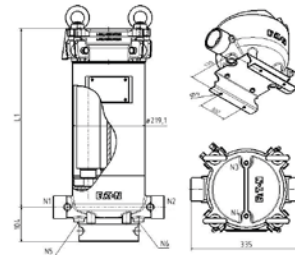
TKF-3(...)AD16-040D  
TKF-3(...)AD16-040D-226



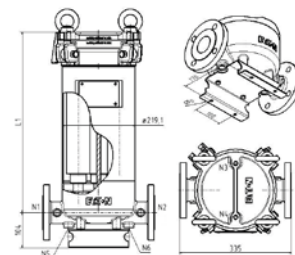
TKF-5(...)AD10-050B  
TKF-5(...)AD10-050B-226



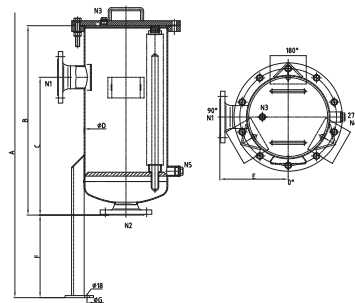
TKF-5(...)AD10-050D  
TKF-5(...)AD10-050D-226



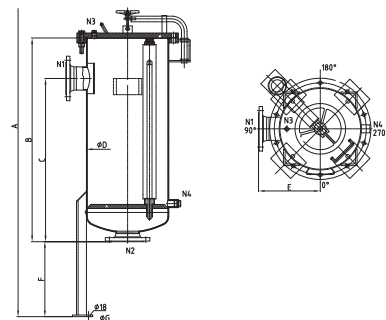
TKF-6(...)AD10-050B



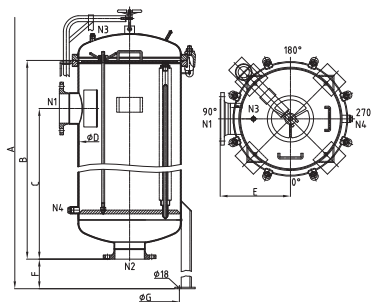
TKF-6(...)AD10-050D



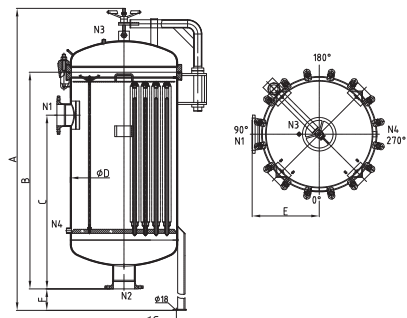
TKF-11(...)S



TKF-19(...)S



TKF-37(...)S



TKF-73(...)S

# TOPCART Multi-Filter Cartridge Housings

## Dimensions (mm)

Types	TKF-3(...)-AD16-040B and 040B-226 TKF-3(...)-AD16-040D and 040D-226	TKF-5(...)-AD10-050B and 050B-226 TKF-5(...)-AD10-050D and 050D-226	TKF-6(...)-AD10-050B TKF-6(...)-AD10-050D	
L1	TKF-310: 488 TKF-320: 742 TKF-330: 996 TKF-340: 1,250	TKF-510: 539 TKF-520: 793 TKF-530: 1,047 TKF-540: 1,301	TKF-610: 539 TKF-620: 793 TKF-630: 1,047 TKF-640: 1,301	
Types	TKF-1120-S TKF-1130-S TKF-1140-S	TKF-1920-S TKF-1930-S TKF-1940-S	TKF-3720-S TKF-3730-S TKF-3740-S	TKF-7330-S TKF-7340-S
A	TKF-1120-S: 1,465 TKF-1130-S: 1,960 TKF-1140-S: 2,460	TKF-1920: 1,630 TKF-1930: 2,138 TKF-1940: 2,646	TKF-3720: 1,800 TKF-3730: 2,310 TKF-3740: 2,820	TKF-7330: 2,525 TKF-7340: 3,025
B	TKF-1120-S: 700 TKF-1130-S: 945 TKF-1140-S: 1,195	TKF-1920: 752 TKF-1930: 1,006 TKF-1940: 1,260	TKF-3720: 810 TKF-3730: 1,065 TKF-3740: 1,315	TKF-7330: 1,235 TKF-7340: 1,485
C	TKF-1120-S: 500 TKF-1130-S: 745 TKF-1140-S: 995	TKF-1920: 552 TKF-1930: 806 TKF-1940: 1,060	TKF-3720: 610 TKF-3730: 865 TKF-3740: 1,115	TKF-7330: 1,045 TKF-7340: 1,295
D	324	406	559	800
E	265	305	380	500
F	265	370	480	660
G	304	385	540	780

The dimensions are for reference only and are approximate. Exact dimensions for installation purposes are available on request.

## Technical Data

Types	Max. pressure (bar)	Max. temperature (°C)	Housing volume (l)	Housing weight (kg)
TKF-3(...)-AD16-040B TKF-3(...)-AD16-040B-226	16	160	TKF-310: 9.2 TKF-320: 14.7 TKF-330: 20.1 TKF-340: 25.6	TKF-310: 31 TKF-320: 35 TKF-330: 40 TKF-340: 46
TKF-3(...)-AD16-040D TKF-3(...)-AD16-040D-226	16	160	TKF-310: 9.2 TKF-320: 14.7 TKF-330: 20.1 TKF-340: 25.6	TKF-310: 33 TKF-320: 37 TKF-330: 42 TKF-340: 48
TKF-5(...)-AD10-050B TKF-5(...)-AD10-050B-226	10	160	TKF-510: 16.0 TKF-520: 24.0 TKF-530: 32.0 TKF-540: 40.0	TKF-510: 42.0 TKF-520: 46.5 TKF-530: 50.7 TKF-540: 55.0
TKF-5(...)-AD10-050D TKF-5(...)-AD10-050D-226	10	160	TKF-510: 16.0 TKF-520: 24.0 TKF-530: 32.0 TKF-540: 40.0	TKF-510: 42.0 TKF-520: 46.5 TKF-530: 50.7 TKF-540: 55.0
TKF-6(...)-AD10-050B* TKF-6(...)-AD10-050D*	10	160	TKF-610: 16.0 TKF-620: 24.0 TKF-630: 32.0 TKF-640: 40.0	TKF-610: 42.0 TKF-620: 46.5 TKF-630: 50.7 TKF-640: 55.0
TKF-11(...)-S	10	120	TKF-1120: 51 TKF-1130: 73 TKF-1140: 93	TKF-1120: 76 TKF-1130: 82 TKF-1140: 88
TKF-19(...)-S	10	120	TKF-1920: 120 TKF-1930: 153 TKF-1940: 186	TKF-1920: 118 TKF-1930: 129 TKF-1940: 140
TKF-37(...)-S	10	120	TKF-3720: 210 TKF-3730: 270 TKF-3740: 330	TKF-3720: 200 TKF-3730: 221 TKF-3740: 242
TKF-73(...)-S	10	120	TKF-7330: 405 TKF-7340: 530	TKF-7330: 562 TKF-7340: 605

\*TKF-6(...)-AD10-050B and TKF-6(...)-AD10-050D: Max. outer diameter of filter cartridges is 64 mm.

## Technical Data

Types	Length of filter cartridges (in)	Length of filter cartridges (mm)	Adapter filter cartridges	I/O connections
TKF-3(...)-AD16-040B TKF-3(...)-AD16-040B-226	TKF-310: 9¼ and 10 TKF-320: 19½ and 20 TKF-330: 29¼ and 30 TKF-340: 39 and 40	TKF-310: 248 and 254 TKF-320: 495 and 508 TKF-330: 743 and 762 TKF-340: 991 and 1,016	DOE SOE 222 SOE 226	G 1½" DIN ISO 228-1
TKF-3(...)-AD16-040D TKF-3(...)-AD16-040D-226	TKF-310: 9¼ and 10 TKF-320: 19½ and 20 TKF-330: 29¼ and 30 TKF-340: 39 and 40	TKF-310: 248 and 254 TKF-320: 495 and 508 TKF-330: 743 and 762 TKF-340: 991 and 1,016	DOE SOE 222 SOE 226	Flange DN40/PN16 DIN EN 1092-1
TKF-5(...)-AD10-050B TKF-5(...)-AD10-050B-226	TKF-510: 9¼ and 10 TKF-520: 19½ and 20 TKF-530: 29¼ and 30 TKF-540: 39 and 40	TKF-510: 248 and 254 TKF-520: 495 and 508 TKF-530: 743 and 762 TKF-540: 991 and 1,016	DOE SOE 222 SOE 226	G 2" DIN ISO 228-1
TKF-5(...)-AD10-050D TKF-5(...)-AD10-050D-226	TKF-510: 9¼ and 10 TKF-520: 19½ and 20 TKF-530: 29¼ and 30 TKF-540: 39 and 40	TKF-510: 248 and 254 TKF-520: 495 and 508 TKF-530: 743 and 762 TKF-540: 991 and 1,016	DOE SOE 222 SOE 226	Flange DN50/PN16 DIN EN 1092-1
TKF-6(...)-AD10-050B* TKF-6(...)-AD10-050D*	TKF-610: 9¼ and 10 TKF-620: 19½ and 20 TKF-630: 29¼ and 30 TKF-640: 39 and 40	TKF-610: 248 and 254 TKF-620: 495 and 508 TKF-630: 743 and 762 TKF-640: 991 and 1,016	DOE SOE 222	G 2" DIN ISO 228-1 Flange DN50/PN16 DIN EN 1092-1
TKF-11(...)-S	TKF-1120: 20 TKF-1130: 30 TKF-1140: 40	TKF-1120: 254 TKF-1130: 508 TKF-1140: 762	DOE SOE 222	Flange DN80/PN16 DIN EN 1092-1
TKF-19(...)-S	TKF-1920: 20 TKF-1930: 30 TKF-1940: 40	TKF-1920: 254 TKF-1930: 508 TKF-1940: 762	DOE SOE 222	Flange DN100/PN16 DIN EN 1092-1
TKF-37(...)-S	TKF-3720: 20 TKF-3730: 30 TKF-3740: 40	TKF-3720: 254 TKF-3730: 508 TKF-3740: 762	DOE SOE 222	Flange DN150/PN16 DIN EN 1092-1
TKF-73(...)-S	TKF-7330: 30 TKF-7340: 40	TKF-7330: 508 TKF-7340: 762	DOE SOE 222	Flange DN150/PN16 DIN EN 1092-1

\*TKF-6(...)-AD10-050B and TKF-6(...)-AD10-050D: Max. outer diameter of filter cartridges is 64 mm.

### North America

44 Apple Street  
Tinton Falls, NJ 07724  
Toll Free: 800 656-3344  
(North America only)  
Tel: +1 732 212-4700

### Greater China

No. 7, Lane 280,  
Linhong Road  
Changning District, 200335  
Shanghai, P.R. China  
Tel: +86 21 2899-3687

### Europe/Africa/Middle East

Auf der Heide 2  
53947 Nettersheim, Germany  
Tel: +49 2486 809-0

Friedensstraße 41  
68804 Altlußheim, Germany  
Tel: +49 6205 2094-0

An den Nahewiesen 24  
55450 Langenlonsheim, Germany  
Tel: +49 6704 204-0

### Asia-Pacific

100G Pasir Panjang Road  
#07-08 Interlocal Centre  
Singapore 118523  
Tel: +65 6825-1620

For more information, please  
email us at [filtration@eaton.com](mailto:filtration@eaton.com)  
or visit [www.eaton.com/filtration](http://www.eaton.com/filtration)

© 2023 Eaton. All rights reserved. All trademarks and registered trademarks are the property of their respective owners. All information and recommendations appearing in this brochure concerning the use of products described herein are based on tests believed to be reliable. However, it is the user's responsibility to determine the suitability for his own use of such products. Since the actual use by others is beyond our control, no guarantee, expressed or implied, is made by Eaton as to the effects of such use or the results to be obtained. Eaton assumes no liability arising out of the use by others of such products. Nor is the information herein to be construed as absolutely complete, since additional information may be necessary or desirable when particular or exceptional conditions or circumstances exist or because of applicable laws or government regulations.

EN  
EF-FCH-04  
09-2023