

## ECOCART™ Single Filter Cartridge Housings



### *Single filter cartridge housings in "lightweight construction" for commercial applications*

The ECOCART single filter cartridge housings from Eaton are characterized by their "lightweight construction" and are suitable for commercial applications.

These single filter cartridge housings are a particularly cost-effective solution for price-sensitive applications. ECOCART filter cartridge housings are made of stainless steel and are suitable for the use of DOE filter cartridges (double open ended) with a maximum outer diameter of 2.75". The union nut is pulled over the housing sump and screwed to the housing head. Sealing is achieved by means of a EPDM O-ring between the housing sump and the head.

#### **Features**

- Housing head for inline installation with removable housing sump and union nut
- Blasted surfaces inside and outside
- Parts in contact with product in stainless steel 304
- Housing connections (inlet and outlet) in 3/4" NPT as well as 1" NPT female threaded
- Available with drainage (female thread 1/4" NPT with screw plug)
- Filter cartridges in double open ended (DOE) design with a maximum outer diameter of 2.75" can be used in lengths of 10", 20" and 30"
- Maximum permissible operating pressure: 300 psi
- Maximum permissible operating temperature: 200°F

#### **Option**

- EPDM O-ring as standard for cover seal, optionally available in FKM

EPDM: Ethylene Propylene Diene Monomer Rubber  
FKM: Fluoro Rubber



*Powering Business Worldwide*

# ECOCART Single Filter Cartridge Housings

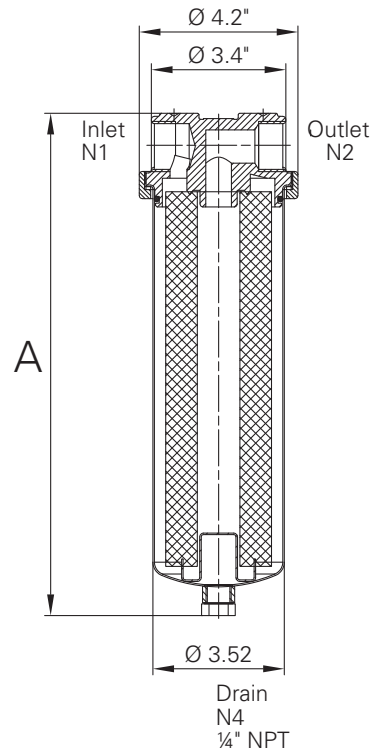
## Applications

Coarse filtration > 500 µm	
Medium filtration > 10 µm	✓
Fine filtration < 10 µm	✓

Pre-filtration	✓
Safety filtration	
High volume	
Batch filtration	✓
Circuit filtration	✓
Continuous filtration	

Solvents, paints	
Fats and oils	
Catalysts, activated carbon	
Acids, bases	
Petrochemicals	
Water, waste water	✓
Chemical industry	✓
Pharmaceuticals	
Metal cleaning	
Automotive industry	
Electronics	
Food and beverage	
Paint and lacquer	
Water treatment	✓
Galvanic industry	✓

## Types



## Technical Data and Dimensions

Types	EKF-110	EKF-120	EKF-130
Number of filter cartridges	1		
Length of filter cartridges	10"	20"	30"
Dimension A	14"	24"	34"
Connection	¾" or 1" NPT		
Volume (gal)	0.75	1.3	2
Weight (lbs)	9	12	15
Adapter	DOE		

**North America**  
18684 Lake Drive East  
Chanhassen, MN 55317  
Toll Free: +1 800-656-3344  
(North America only)  
Tel: +1 732 212-4700

**Greater China**  
No. 7, Lane 280,  
Linhong Road  
Changning District, 200335  
Shanghai, P.R. China  
Tel: +86 21 2899-3687

**Europe/Africa/Middle East**  
Auf der Heide 2  
53947 Nettersheim, Germany  
Tel: +49 2486 809-0

**Asia-Pacific**  
100G Pasir Panjang Road  
#07-08 Interlocal Centre  
Singapore 118523  
Tel: +65 6825-1620

Friedensstraße 41  
68804 Altlufzheim, Germany  
Tel: +49 6205 2094-0  
An den Nahewiesen 24  
55450 Langenlonsheim, Germany  
Tel: +49 6704 204-0

**For more information, please email us at [filtration@eaton.com](mailto:filtration@eaton.com) or visit [www.eaton.com/filtration](http://www.eaton.com/filtration)**

© 2023 Eaton. All rights reserved. All trademarks and registered trademarks are the property of their respective owners. All information and recommendations appearing in this brochure concerning the use of products described herein are based on tests believed to be reliable. However, it is the user's responsibility to determine the suitability for his own use of such products. Since the actual use by others is beyond our control, no guarantee, expressed or implied, is made by Eaton as to the effects of such use or the results to be obtained. Eaton assumes no liability arising out of the use by others of such products. Nor is the information herein to be construed as absolutely complete, since additional information may be necessary or desirable when particular or exceptional conditions or circumstances exist or because of applicable laws or government regulations.

US  
EF-FCH-02  
11-2023