

Multi-filter cartridge housings in “lightweight construction” for commercial applications

The ECOCART multi-filter cartridge housings from Eaton are characterized by their “lightweight construction” and are suitable for commercial applications.

These multi-filter cartridge housings for 4, 5 or 7 filter cartridges are a particularly cost-effective solution for price-sensitive applications. ECOCART filter cartridge housings are made of stainless steel and are suitable for the use of filter cartridges in double open ended (DOE) or 222/fin design with a maximum outer diameter of 2.75". The housings are closed with a V-clamp. Sealing is achieved by means of an EPDM O-ring.

Features

- ECOCART filter cartridge housings are supplied in an upright version
- For the installation of a gauge or a vent valve, the vessel cover is equipped with a ¼" NPT-F socket
- Socket for draining
- 2 pieces of 1/4" socket for optional differential pressure monitoring
- DOE filter cartridges are securely fastened in the housing with a hold-down plate via sealing caps with springs on centering rods. For adapter code 2, the centering rods are removed and the fins of the filter cartridges are fixed using the hold-down plate.
- Housing material stainless steel 316
- Housing connections (inlet and outlet)
1 ½" NPT-F (EKF-400),
2" NPT-F (EKF-500, EKF-700)
- Filter cartridges with a maximum outer diameter of 2.75"

- Maximum permissible operating pressure: 150 psi
- Maximum permissible operating temperature: 200°F

Option

- EPDM O-ring as standard for cover seal, optionally available in FKM

EPDM: Ethylene Propylene Diene Monomer Rubber
FKM: Fluoro Rubber



Powering Business Worldwide

ECOCART Multi-Filter Cartridge Housings

Applications

Coarse filtration > 500 µm	
Medium filtration > 10 µm	✓
Fine filtration < 10 µm	✓

Pre-filtration	✓
Safety filtration	
High volume	
Batch filtration	✓
Circuit filtration	✓
Continuous filtration	

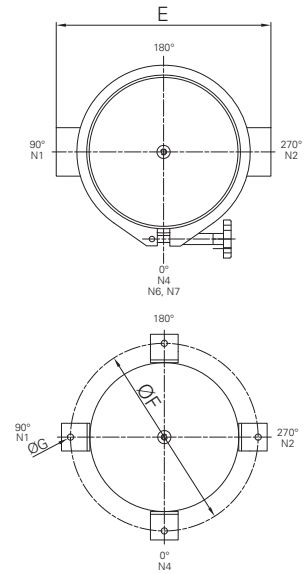
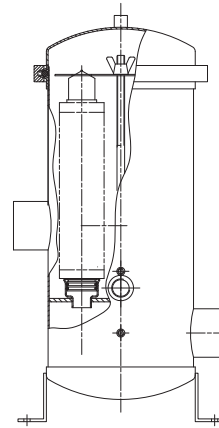
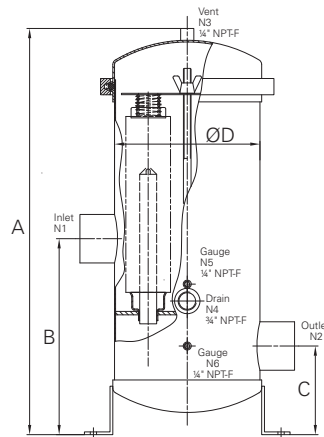
Solvents, paints	
Fats and oils	
Acids, bases	
Petrochemicals	
Water, waste water	✓
Chemical industry	✓
Pharmaceuticals	
Metal cleaning	✓
Automotive industry	✓
Electronics	
Food and beverage	
Paint and lacquer	✓
Water treatment	✓
Galvanic industry	✓

Types

Installation with filter cartridges in DOE design

Installation with filter cartridges in 222/fin design

Inlet/Outlet female threaded for EKF-400, EKF-500, EKF-700



Technical Data

Types	EKF-400				EKF-500				EKF-700			
	410	420	430	440	510	520	530	540	710	720	730	740
Number of filter cartridges	4				5				7			
Length of filter cartridges	10"	20"	30"	40"	10"	20"	30"	40"	10"	20"	30"	40"
A	24.41"	34.84"	44.88"	54.88"	24.41"	34.84"	44.88"	54.88"	24.41"	34.84"	44.88"	54.88"
B	11.02"											
C	4.72"											
D	7.09"				9.19"							
E	9.45"				12.13"							
F	9.29"				11.34"							
G	0.35"											
Connection	1 1/2" NPT-F				2" NPT-F				2" NPT-F			
Volume (gal)	3.4	5.3	7	8.7	6.9	8.9	11.8	14.6	6.9	8.9	11.8	14.6
Weight (lbs)	33	39	44	49	46	55	62	68	46	55	62	68
Adapter	DOE or Code 2 (222 + fin)											

North America
18684 Lake Drive East
Chanassen, MN 55317
Toll Free: +1 800-656-3344
(North America only)
Tel: +1 732 212-4700

Greater China
No. 7, Lane 280,
Linhong Road
Changning District, 200335
Shanghai, P.R. China
Tel: +86 21 2899-3687

Europe/Africa/Middle East
Auf der Heide 2
53947 Nettersheim, Germany
Tel: +49 2486 809-0

Asia-Pacific
100G Pasir Panjang Road
#07-08 Interlocal Centre
Singapore 118523
Tel: +65 6825-1620

Friedensstraße 41
68804 Altlußheim, Germany
Tel: +49 6205 2094-0
An den Nahewiesen 24
55450 Langenlonsheim, Germany
Tel: +49 6704 204-0

For more information, please
email us at filtration@eaton.com
or visit www.eaton.com/filtration

© 2023 Eaton. All rights reserved. All trademarks and registered trademarks are the property of their respective owners. All information and recommendations appearing in this brochure concerning the use of products described herein are based on tests believed to be reliable. However, it is the user's responsibility to determine the suitability for his own use of such products. Since the actual use by others is beyond our control, no guarantee, expressed or implied, is made by Eaton as to the effects of such use or the results to be obtained. Eaton assumes no liability arising out of the use by others of such products. Nor is the information herein to be construed as absolutely complete, since additional information may be necessary or desirable when particular or exceptional conditions or circumstances exist or because of applicable laws or government regulations.

US
EF-FCH-02
11-2023