

TOPLINE™ Single Bag Filter Housing



The best single bag filter housing for the most demanding applications

Eaton's TOPLINE single bag filter housing is the best bag filter housing for the most demanding applications and features easy filter bag change-outs as well as providing optimum sealing of the filter bag.

This single bag filter housing is simply the best, from its high-performance design to its heavy-duty investment-cast components. Units come standard with filter bag size 01 or 02 stainless steel restrainer baskets.

Features

- Top inlet requires less headroom and allows liquid flow through the cover, improves sealing, reduces product loss and makes filter bag change-outs cleaner
- Smooth, bead-blasted finish, coupled with a minimum two-weld design makes it easy to completely clean the interior
- Adjustable mounting legs for simplified installation
- Designed in accordance with Section VIII, Division 1 of the ASME Code

Options

- Available in carbon steel or 316 stainless steel for high corrosion resistance.
- Magnetic inserts to collect metallic chips, fines and dust for sizes 01 and 02
- Buna-N® O-rings for the cover are standard. EPDM, Viton®, PTFE encapsulated Viton or silicone rubber seals and gaskets are available
- Multiple I/O connections to suit application
- Available with eye-bolt closure or T-bolt closure for faster maintenance

Viton® is a registered trademark of E. I. du Pont de Nemours and company.



TOPLINE with T-bolt closure (TTBF)



Top inlet connection with hinged cover make filter bag change-outs quick and easy

EATON

Powering Business Worldwide

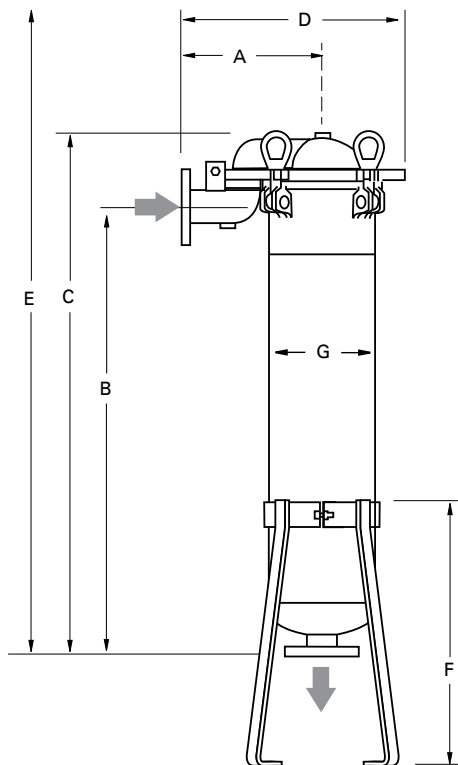
TOPLINE Single Bag Filter Housing

Applications

Coarse filtration > 500 µm	
Medium filtration > 10 µm	✓
Fine filtration < 10 µm	✓

Pre-filtration	✓
Safety filtration	✓
High volume	
Batch filtration	✓
Circuit filtration	✓
Continuous filtration	

Solvents, paints	✓
Fats and oils	✓
Catalyst, activated carbon	✓
Acids, bases	✓
Petrochemicals	✓
Water, waste water	✓
Chemical industry	✓
Pharmaceuticals	✓
Metal cleaning	✓
Automotive	✓
Electronics	✓
Food and beverage	✓
Paint and lacquer	✓
Water treatment	✓
Galvanic industry	✓



Dimensions - inch (mm)

Models	A	B	C	D	E	F	G
TBF-0101	12.10 (307)	15.50 (395)	21.25 (540)	19.10 (486)	32.00 (813)	19.25 (489)	8.62 (219)
TBF-0102	12.10 (307)	31.00 (790)	36.75 (934)	19.10 (486)	63.00 (1600)	19.25 (489)	8.62 (219)
TTBF-0101*	13.78 (350)	14.76 (375)	22.44 (570)	19.69 (500)	34.72 (882)	24.41 (620)	8.62 (219)
TTBF-0102*	13.78 (350)	29.53 (750)	37.17 (944)	19.69 (500)	49.09 (1,247)	24.41 (620)	8.62 (219)

Dimensions for reference only and approximate. Exact dimensions for installation purposes available on request.

Technical data

Models	No. of filter bags	Size	Flow rate ¹ GPM (m³/h)	Max. pressure psi (bar)	Max. temp. °F (°C)	Housing volume gal (l)	Housing weight lb (kg)	I/O connections
TBF-0101	1	1	88 (20)	150 (10)	400 (160)	3.5 (13.0)	80 (36)	2"
TBF-0102	1	2	115 (26)	150 (10)	400 (160)	7.25 (27.5)	93 (42)	2"
TTBF-0101*	1	1	88 (20)	150 (10)	400 (160)	3.5 (13.0)	80 (36)	2"
TTBF-0102*	1	2	115 (26)	150 (10)	400 (160)	7.25 (27.5)	93 (42)	2"

¹ Maximum theoretical flow based on water viscosity, filter bag specific.

North America
44 Apple Street
Tinton Falls, NJ 07724
Toll Free: 800 656-3344
(North America only)
Tel: +1 732 212-4700

China
No. 3, Lane 280,
Linhong Road
Changning District, 200335
Shanghai, P.R. China
Tel: +86 21 5200-0099

Europe/Africa/Middle East
Auf der Heide 2
53947 Nettersheim, Germany
Tel: +49 2486 809-0

Singapore
4 Loyang Lane #04-01/02
Singapore 508914
Tel: +65 6825-1668

Friedensstraße 41
68804 Altlußheim, Germany
Tel: +49 6205 2094-0
An den Nahewiesen 24
55450 Langenlonsheim, Germany
Tel: +49 6704 204-0

Brazil
Rua Clark, 2061 - Macuco
13279-400 - Valinhos, Brazil
Tel: +55 11 3616-8400

For more information, please
email us at filtration@eaton.com
or visit www.eaton.com/filtration

US
EF-FBH-10
03-2017

© 2017 Eaton. All rights reserved. All trademarks and registered trademarks are the property of their respective owners. All information and recommendations appearing in this brochure concerning the use of products described herein are based on tests believed to be reliable. However, it is the user's responsibility to determine the suitability for his own use of such products. Since the actual use by others is beyond our control, no guarantee, expressed or implied, is made by Eaton as to the effects of such use or the results to be obtained. Eaton assumes no liability arising out of the use by others of such products. Nor is the information herein to be construed as absolutely complete, since additional information may be necessary or desirable when particular or exceptional conditions or circumstances exist or because of applicable laws or government regulations.