

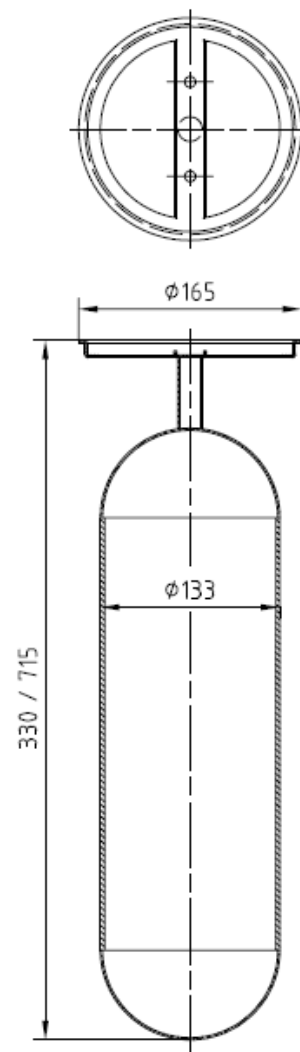
Accessories for bag filter housings

Evacuation balloons **BAL-SE-AC-01** **BAL-SE-AC-02**

Specification

Code number		
BAL-SE-AC-01		F670181
BAL-SE-AC-02		F670182
Technical data		
Weight	kg	
BAL-SE-AC-01		3.4
BAL-SE-AC-02		7.0
Length	mm	
BAL-SE-AC-01		330
BAL-SE-AC-02		715
Diameter	mm	133
Surface treatment		Glass bead-blasted or electro-polished
Materials of construction		
Evacuation balloons		Stainless steel 1.4571
Packing		
Dimensions (L x W x H)	mm	
BAL-SE-AC-01		250 x 250 x 400
BAL-SE-AC-02		250 x 250 x 750

(Changes possible w/o notice)



Inserting an evacuation balloon inside the filter bag minimizes the amount of residual liquid present in the filter bag and reduces product loss. This eases the changing of the filter bag, eliminating the need for expensive, pressure-aided draining systems. A special, new collar design firmly positions the balloon inside the filter bag. The SS 316 balloons' maximum Δp is 16 bar.