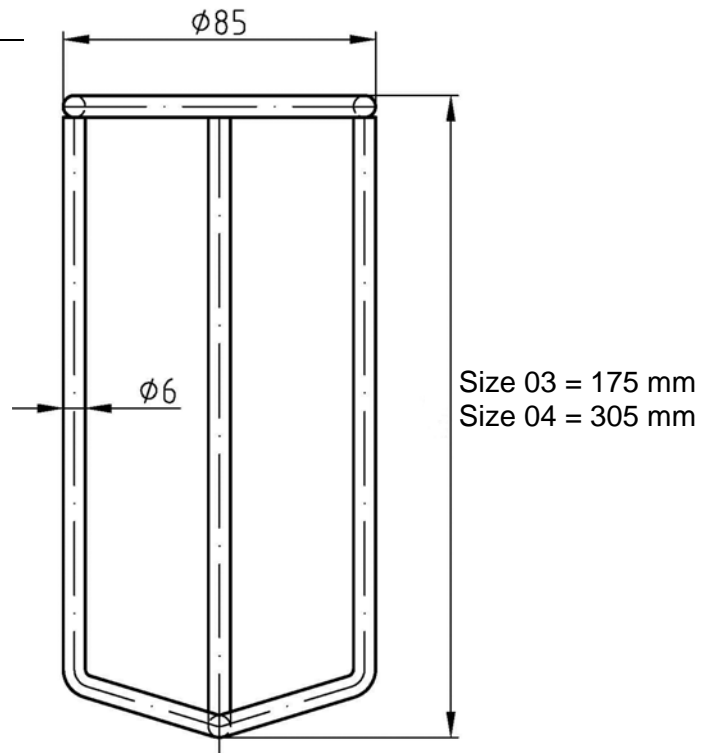


## Accessories for bag filter housings

### Bag positioner

### BLK-SR-AB-03 BLK-SR-AB-04

Specification			
<b>Code number</b>			
BLK-SR-AB-03		F582952E	
BLK-SR-AB-04		F582953E	
<b>Technical data</b>			
Weight	kg		
BLK-SR-AB-03		0.23	
BLK-SR-AB-04		0.34	
Length	mm		
BLK-SR-AB-03		175	
BLK-SR-AB-04		305	
Surface treatment		Glass bead-blasted or electro-polished	
<b>Materials of construction</b>			
BLK-SR-AB-03		Stainless steel 1.4571	
BLK-SR-AB-04		Stainless steel 1.4571	
<b>Packing</b>			
Dimensions (L x W x H)	mm		
BLK-SR-AB-03		330 x 250 x 170	
BLK-SR-AB-04		330 x 250 x 170	



(Changes possible w/o notice)

Bag positioners ensure correct positioning of the filter bag within the restrainer basket. Eliminates any "bobbing" up and down movement of the filter bag caused by uncontrolled back pressure. This avoids any chance of filter bag bursting. A special new collar design firmly fixes the element inside the filter bag during filtration.