

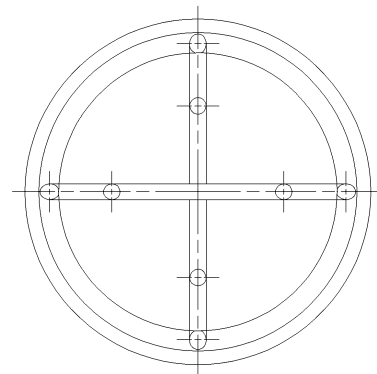
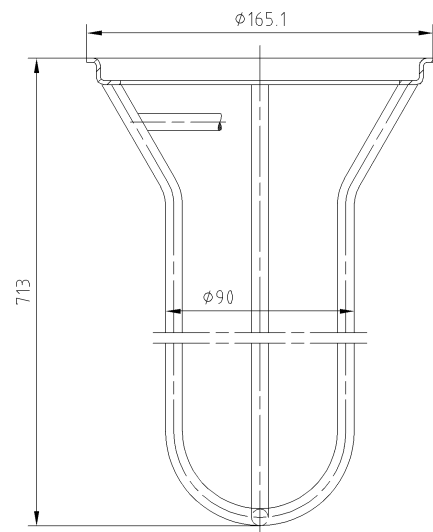
Accessories for bag filter housings

Bag positioner

BLK-PGF/LCR500-AC-02

Specification	
Code number	F670188
Technical data	
Weight	kg 1.4
Length	mm 713
Surface treatment	Glass bead-blasted or electro-polished
Materials of construction	Stainless steel 1.4571
Bag positioner	
Packing	
Dimensions (L x W x H)	mm 250 x 250 x 750

(Changes possible w/o notice)



All dimensions in mm

Special bag positioner for ACCUGAF™, PROGAF™, LOFCLEAR™ 500 filter bags.
 Eliminates any “bobbing” up and down movement of the filter bag caused by uncontrolled back pressure.
 This avoids any chance of filter bag bursting.
 A special new collar design firmly fixes the element inside the filter bag during filtration.