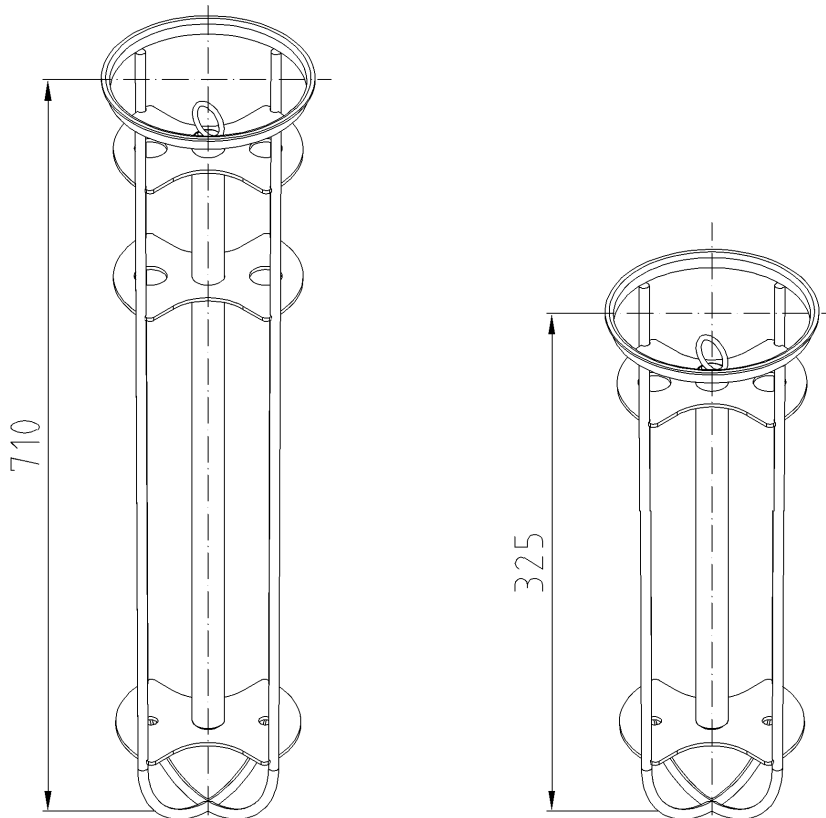


Bag positioner with magnets

LOFNET-1BAR-01
LOFNET-1BAR-02
LOFNET-2BAR-01
LOFNET-2BAR-02



All dimensions in mm

Material: SS316 Ti (1.4571)
Versions: optional with one or two magnetic bars available
Magnetic bar: max. 80°C
9300 Gauß