

## PROLINE 150™ Series HE Multi-Bag Filter Housing



*The PROLINE 150 Series, a perfect balance between reliability and cost AND between performance and productivity*

Eaton's PROLINE 150 Series HE multi-bag filter housing offers the most cost-effective solution to multi-bag units requirements' for a wide variety of filtration applications where a code stamp is not needed.

This multi-bag filter housing is equipped with a proven and easy-to-use rugged eye-bolt cover closure. Units are available in 3, 4, 6 and 8 filter bag configurations and come standard with filter bag size O2 stainless steel restrainer baskets.

### Features

- 150 psi (10 bar), non-code bag filter housing, for a wide variety of filtration applications
- Low profile design with side inlet and tangential outlet provides easy and full drainage and reduces housing height to make filter bag change-outs easier. No need for ladders, stools or catwalks

- Positive O-ring sealing provides bypass-free, safe filtration while the unique 3-point hold down ensures a high-quality seal between each filter bag and the housing body
- A counter-balanced, spring-assisted cover lifting mechanism allows for quick and easy opening of even large covers by one person
- 304 stainless steel construction
- 150# RF flanged inlet and outlet ports for side inlet and tangential outlet configuration
- Heavy-duty stainless steel mounting legs are included

### Options

- Available as in-line or loop piping configuration (shown)
- Buna-N® O-rings for the cover are standard. EPDM, Viton®, PTFE encapsulated Viton seals are available

Viton® is a registered trademark of E. I. du Pont de Nemours and company

PROLINE 150 Series HE multi-bag filter housing with 8 filter bag capacity

# EATON

Powering Business Worldwide

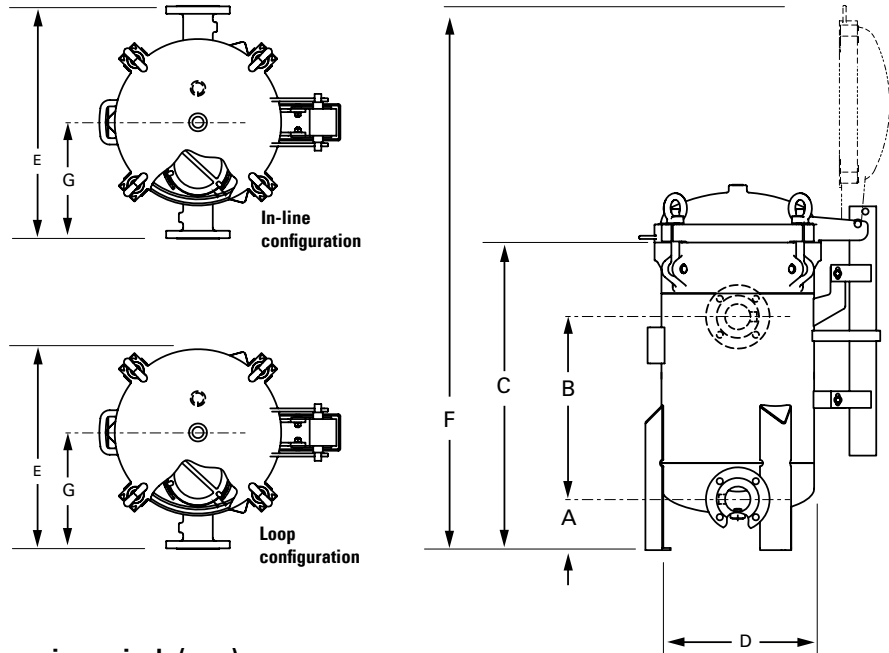


3, 4, and 6 bag PROLINE 150 Series HE multi-bag filter housings

# PROLINE 150 Series HE Multi-Bag Filter Housing

## Applications

Coarse filtration > 500 µm	✓
Medium filtration > 10 µm	✓
Fine filtration < 10 µm	✓
Pre-filtration	✓
Safety filtration	✓
High volume	✓
Batch filtration	✓
Circuit filtration	✓
Continuous filtration	
Solvents, paints	✓
Fats and oils	✓
Catalyst, activated carbon	
Acids, bases	✓
Petrochemicals	✓
Water, waste water	✓
Chemical industry	✓
Pharmaceuticals	
Metal cleaning	✓
Automotive	✓
Electronics	
Food and beverage	
Paint and lacquer	✓
Water treatment	✓
Galvanic industry	



## Dimensions - inch (mm)

Model	A	B	C	D	E	F	G
PMBF-0302-BB10-030A-NT-11HE	6.00 (152)	21.50 (546)	43.00 (1092)	18.00 (457)	27.44 (697)	64.19 (1603)	13.72 (348)
PMBF-0302-BB10-030A-NT-11HE-L	6.00 (152)	21.50 (546)	43.00 (1092)	18.00 (457)	23.53 (598)	64.19 (1603)	13.72 (348)
PMBF-0402-BB10-040A-NT-11HE	8.77 (223)	20.75 (527)	46.79 (1189)	22.00 (559)	35.42 (900)	70.73 (1797)	17.71 (450)
PMBF-0402-BB10-040A-NT-11HE-L	8.77 (223)	20.75 (527)	46.79 (1189)	22.00 (559)	30.88 (784)	70.73 (1797)	17.71 (450)
PMBF-0602-BB10-060A-NT-11HE	7.00 (178)	20.00 (508)	45.94 (1167)	26.00 (660)	38.98 (990)	73.45 (1866)	19.50 (495)
PMBF-0602-BB10-060A-NT-11HE-L	7.00 (178)	20.00 (508)	45.94 (1167)	26.00 (660)	31.69 (881)	73.45 (1866)	19.50 (495)
PMBF-0802-BB10-080A-NT-11HE	8.00 (203)	22.06 (560)	56.22	30.00 (762)	42.00 (1067)	84.37 (2143)	21.00 (533)
PMBF-0802-BB10-080A-NT-11HE-L	8.00 (203)	22.06 (560)	56.22	30.00 (762)	39.03 (991)	84.37 (2143)	21.00 (533)

## Technical data

Dimensions for reference only and approximate. Exact dimensions for installation purposes available on request.

Models	No. of filter bags	Size	Flow rate <sup>1</sup> GPM (m <sup>3</sup> /h)	Max. pressure psi (bar)	Max. temp. °F (°C)	Housing volume gal (l)	Housing weight lb (kg)	I/O connections
PMBF-0302-BB10-030A-NT-11HE	3	2	225 (51)	150 (10)	200 (93)	34 (129)	351 (159)	3" in-line
PMBF-0302-BB10-030A-NT-11HE-L	3	2	225 (51)	150 (10)	200 (93)	34 (129)	351 (159)	3" loop
PMBF-0402-BB10-040A-NT-11HE	4	2	400 (91)	150 (10)	200 (93)	53 (200)	496 (225)	4" in-line
PMBF-0402-BB10-040A-NT-11HE-L	4	2	400 (91)	150 (10)	200 (93)	53 (200)	496 (225)	4" loop
PMBF-0602-BB10-060A-NT-11HE	6	2	900 (204)	150 (10)	200 (93)	75 (284)	680 (308)	6" in-line
PMBF-0602-BB10-060A-NT-11HE-L	6	2	900 (204)	150 (10)	200 (93)	75 (284)	680 (308)	6" loop
PMBF-0802-BB10-080A-NT-11HE	8	2	1409 (320)	150 (10)	200 (93)	123 (466)	870 (394)	8" in-line
PMBF-0802-BB10-080A-NT-11HE-L	8	2	1409 (320)	150 (10)	200 (93)	123 (466)	870 (394)	8" loop

<sup>1</sup> Maximum theoretical flow based on water viscosity, filter bag specific.

**North America**  
44 Apple Street  
Tinton Falls, NJ 07724  
Toll Free: 800 656-3344  
(North America only)  
Tel: +1 732 212-4700

**Europe/Africa/Middle East**  
Auf der Heide 2  
53947 Nettersheim, Germany  
Tel: +49 2486 809-0

Friedensstraße 41  
68804 Altlußheim, Germany  
Tel: +49 6205 2094-0  
An den Nahewiesen 24  
55450 Langenlonsheim, Germany  
Tel: +49 6704 204-0

**China**  
No. 3, Lane 280,  
LinHong Road  
Changning District, 200335  
Shanghai, P.R. China  
Tel: +86 21 5200-0099

**Singapore**  
4 Loyang Lane #04-01/02  
Singapore 508914  
Tel: +65 6825-1668

**Brazil**  
Av. Julia Gaioli, 474 – Bonsucesso  
07251-500 – Guarulhos, Brazil  
Tel: +55 11 2465-8822

**For more information, please email us at [filtration@eaton.com](mailto:filtration@eaton.com) or visit [www.eaton.com/filtration](http://www.eaton.com/filtration)**

© 2015 Eaton. All rights reserved. All trademarks and registered trademarks are the property of their respective owners. All information and recommendations appearing in this brochure concerning the use of products described herein are based on tests believed to be reliable. However, it is the user's responsibility to determine the suitability for his own use of such products. Since the actual use by others is beyond our control, no guarantee, expressed or implied, is made by Eaton as to the effects of such use or the results to be obtained. Eaton assumes no liability arising out of the use by others of such products. Nor is the information herein to be construed as absolutely complete, since additional information may be necessary or desirable when particular or exceptional conditions or circumstances exist or because of applicable laws or government regulations.

US  
EF-FBH-04  
06-2016