

PROLINE 100™ Series SE Multi-Bag Filter Housing



PROLINE 100 Series SE multi-bag filter housing with 8 filter bag capacity

High-volume multi-bag filter housing with QIC-LOCK™ opening mechanism

Eaton's PROLINE 100 Series SE multi-bag filter housing is user-friendly, cost-effective and designed for high volume applications and processes demanding frequent filter bag change-outs. Ideal for batch process runs and high dirt load applications.

This multi-bag filter housing with the QIC-LOCK opening mechanism is the most competitively priced multi-bag filter housing Eaton has to offer. Units are available in 4, 6 and 8 filter bag configurations and come standard with filter bag size O2 stainless steel restrainer baskets.

Features

- 100 psi (6.9 bar), non-code bag filter housing, for a wide variety of filtration applications
- Low profile design with side inlet and tangential outlet provides easy and full drainage and reduces housing height to make filter bag change-outs easier. No need for ladders, stools or catwalks

- Positive O-ring sealing provides bypass-free, safe filtration while the unique 3-point hold down ensures a high-quality seal between each filter bag and the housing body
- QIC-LOCK opening mechanism allows for safe, easy and fast filter bag change-outs for higher productivity and lower operating costs. Ideal for processes requiring frequent filter bag changes such as batch applications
- Automatic safety interlock for venting housing (cover cannot be opened if housing is under pressure)
- A counter-balanced, spring-assisted cover lifting mechanism allows for quick and easy opening of even large covers by one person

- 304 stainless steel construction with bead-blast, external finish
- 150# RF flanged inlet and outlet ports for side inlet and tangential outlet configuration
- Heavy-duty stainless steel mounting legs are included

Options

- Available as in-line or loop piping configuration (shown)
- Buna-N® O-rings for the cover are standard. Viton® or EPDM are available

Viton® is a registered trademark of E. I. du Pont de Nemours and company.

EATON

Powering Business Worldwide



Opening the housing for change-out is simple and quick. Disengaging the safety interlock releases system pressure.



A few turns of the hand wheel opens the V-clamp collar so the cover can be lifted.

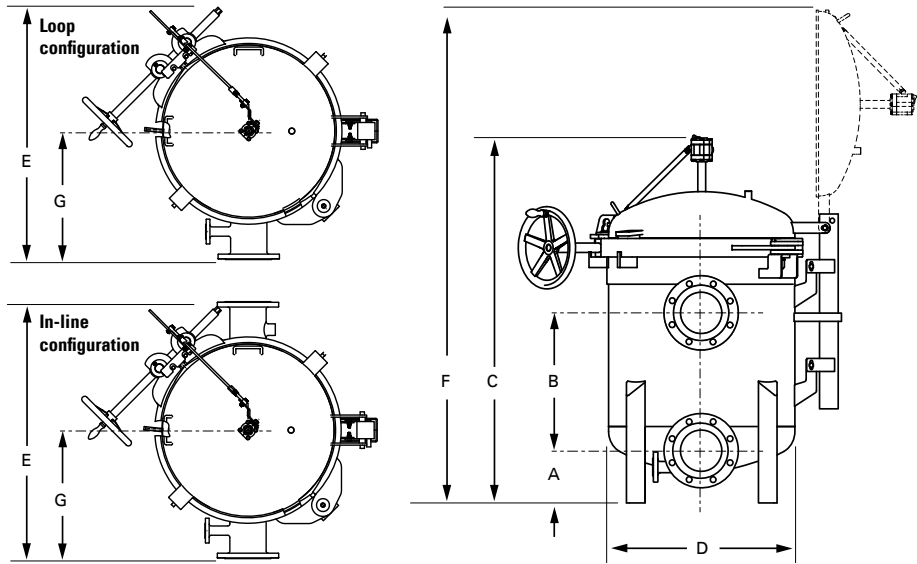


The counter-balanced hinge allows the cover to be lifted with ease and stay in any position for filter bag change-out.

PROLINE 100 Series SE Multi-Bag Filter Housing

Applications

Coarse filtration > 500 µm	✓
Medium filtration > 10 µm	✓
Fine filtration < 10 µm	✓
Pre-filtration	✓
Safety filtration	✓
High volume	✓
Batch filtration	✓
Circuit filtration	✓
Continuous filtration	
Solvents, paints	✓
Fats and oils	✓
Catalyst, activated carbon	✓
Acids, bases	✓
Petrochemicals	✓
Water, waste water	✓
Chemical industry	✓
Pharmaceuticals	
Metal cleaning	✓
Automotive	✓
Electronics	
Food and beverage	
Paint and lacquer	✓
Water treatment	✓
Galvanic industry	



Dimensions - inch (mm)

Models	A	B	C	D	E	F	G
VPMBF-0402-BB07-040A-NT-11SE	10.06 (256)	20.75 (527)	55.63 (1413)	22.00 (559)	36.00 (914)	71.13 (1807)	17.75 (451)
VPMBF-0402-BB07-040A-NT-11SE-L	10.06 (256)	20.75 (527)	55.63 (1413)	22.00 (559)	36.00 (914)	71.13 (1807)	17.75 (451)
VPMBF-0602-BB07-060A-NT-11SE	7.88 (200)	20.81 (529)	55.44 (1408)	31.50 (800)	47.00 (1194)	78.88 (2003)	23.50 (597)
VPMBF-0602-BB07-060A-NT-11SE-L	7.88 (200)	20.81 (529)	55.44 (1408)	31.50 (800)	46.13 (1172)	78.88 (2003)	23.50 (597)
VPMBF-0802-BB07-060A-NT-11SE	7.88 (200)	20.81 (529)	55.44 (1408)	31.50 (800)	47.00 (1194)	78.88 (2003)	23.50 (597)
VPMBF-0802-BB07-060A-NT-11SE-L	7.88 (200)	20.81 (529)	55.44 (1408)	31.50 (800)	46.13 (1172)	78.88 (2003)	23.50 (597)

Dimensions for reference only and approximate. Exact dimensions for installation purposes available on request.

Technical data

Models	No. of filter bags	Size	Flow rate ¹ GPM (m ³ /h)	Max. pressure psi (bar)	Max. temp. °F (°C)	Housing volume gal (l)	Housing weight lb (kg)	I/O connections
VPMBF-0402-BB07-040A-NT-11SE	4	2	400 (91)	100 (6.9)	176 (80)	56 (212)	432 (196)	4" in-line
VPMBF-0402-BB07-040A-NT-11SE-L	4	2	400 (91)	100 (6.9)	176 (80)	56 (212)	432 (196)	4" loop
VPMBF-0602-BB07-060A-NT-11SE	6	2	900 (204)	100 (6.9)	176 (80)	120 (454)	712 (323)	6" in-line
VPMBF-0602-BB07-060A-NT-11SE-L	6	2	900 (204)	100 (6.9)	176 (80)	120 (454)	712 (323)	6" loop
VPMBF-0802-BB07-060A-NT-11SE	8	2	900 (204)	100 (6.9)	176 (80)	120 (454)	736 (338)	6" in-line
VPMBF-0802-BB07-060A-NT-11SE-L	8	2	900 (204)	100 (6.9)	176 (80)	120 (454)	736 (338)	6" loop

¹ Maximum theoretical flow based on water viscosity, filter bag specific.

North America

44 Apple Street
Tinton Falls, NJ 07724
Toll Free: 800 656-3344
(North America only)
Tel: +1 732 212-4700

China

No. 3, Lane 280,
Linhong Road
Changning District, 200335
Shanghai, P.R. China
Tel: +86 21 5200-0099

Europe/Africa/Middle East

Auf der Heide 2
53947 Nettersheim, Germany
Tel: +49 2486 809-0

Singapore

4 Loyang Lane #04-01/02
Singapore 508914
Tel: +65 6825-1668

Friedensstraße 41
68804 Altlufzheim, Germany
Tel: +49 6205 2094-0

An den Nahewiesen 24
55450 Langenlonsheim, Germany
Tel: +49 6704 204-0

Brazil

Rua Clark, 2061 - Macuco
13279-400 - Valinhos, Brazil
Tel: +55 11 3616-8400

For more information, please
email us at filtration@eaton.com
or visit www.eaton.com/filtration

© 2017 Eaton. All rights reserved. All trademarks and registered trademarks are the property of their respective owners. All information and recommendations appearing in this brochure concerning the use of products described herein are based on tests believed to be reliable. However, it is the user's responsibility to determine the suitability for his own use of such products. Since the actual use by others is beyond our control, no guarantee, expressed or implied, is made by Eaton as to the effects of such use or the results to be obtained. Eaton assumes no liability arising out of the use by others of such products. Nor is the information herein to be construed as absolutely complete, since additional information may be necessary or desirable when particular or exceptional conditions or circumstances exist or because of applicable laws or government regulations.

US
EF-FBH-03
03-2017



Powering Business Worldwide

