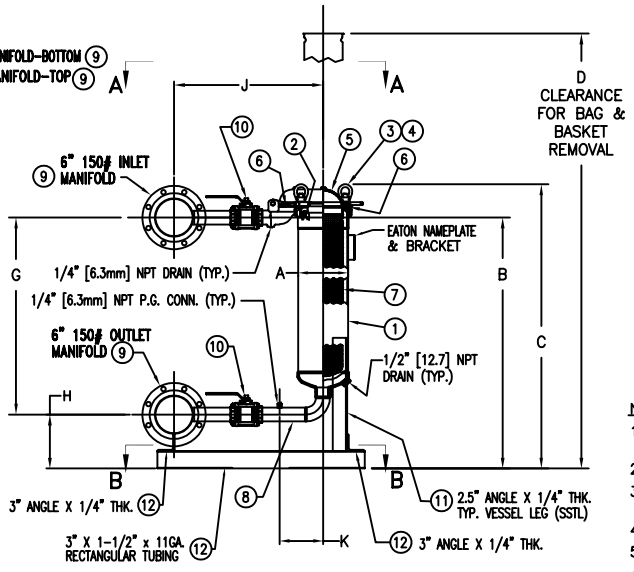
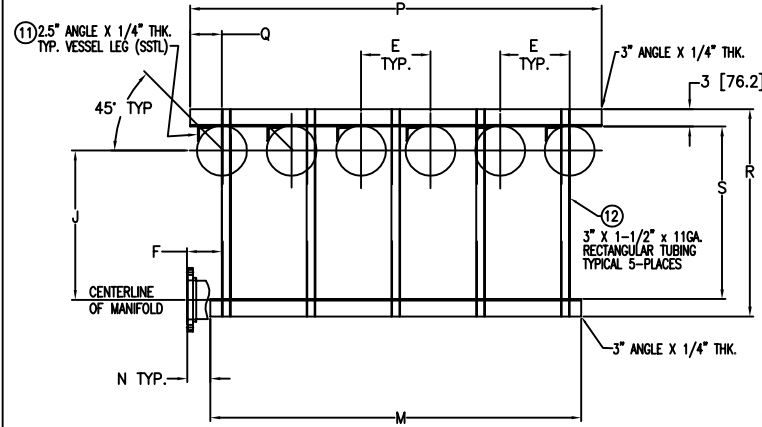
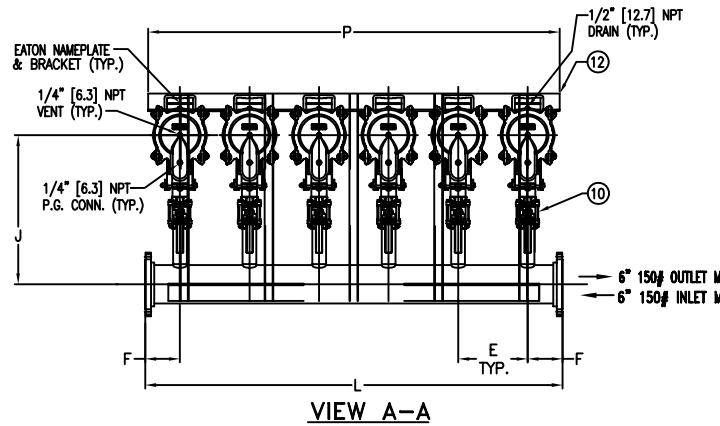


ITEM NUMBER	BAG SIZE	A	B	C	D	E	F	G	H	J	K	L	M	N	P	Q	R	S	WEIGHT
		IN. / MM	IN. / MM	IN. / MM	IN. / MM	IN. / MM	IN. / MM	IN. / MM	IN. / MM	IN. / MM	IN. / MM	IN. / MM	IN. / MM	IN. / MM	IN. / MM	IN. / MM	IN. / MM	IN. / MM	LBS / KGS
F3AVTB0406	O2	8-5/8 / 219	43-1/2 / 1100	49-1/16 / 1246.1	75 / 1906.5	12 / 305	6 / 152.4	34 / 864	9-5/16 / 236.5	25-3/4 / 654	7-1/2 / 190.5	72 / 1829	64 / 1626	4 / 101.6	71 / 1803	5-1/2 / 139.7	35-3/4 / 908	29-3/4 756	950 / 431

REVISIONS				
REV	DESCRIPTION	BY	ECO	DATE
A	NEW ISSUE	FJM	0030160	06/21/10
B	UPDATED DRAWING	FJM	0105819	12/22/14



NO.	PART NAME	MATERIAL
1	BODY	SA-351 CF8M SA-312 TP 316
2	PIN	SA-193 GR B7, ZINC PL
3	EYE BOLT	SA-193 GR B7, ZINC PL
4	EYE NUT	SA-194 GR 2H, ZINC PL
5	COVER	SA-351 CF8M
6	O-RINGS (2)	BUNA-N
7	RESTRAINER BASKET	316 STAINLESS STEEL
8	2\"/>	
9	6\"/>	
10	2\"/>	
11	VESSEL ANGLE LEG SUPPORT	STAINLESS STEEL
12	SKID ASSEMBLY	STAINLESS STEEL

- NOTES:
- VESSEL DESIGNED, CONSTRUCTED, & "UM" STAMPED IN ACCORDANCE WITH ASME SECT. VIII, DIV. 1 LATEST EDITION AND ADDENDA.
  - MANIFOLD INLET/OUTLET FLANGED CONNECTIONS PER ANSI B16.5
  - MAWP: 150 PSI @ 250° F MDMT: -20° F @ 150 PSI (-28.9° C @ 10.3 BAR)
  - INTER-CONNECTING VALVE HARDWARE WILL BE SUPPLIED.
  - ALL DIMENSIONS ARE IN INCHES & [ ] MILLIMETERS.
  - 2" SOCKET WELD BALL VALVES STAINLESS STEEL EATON STANDARD P/N RPV0000018 & RPV0000019 FULL PORT 3 PIECE.

CUSTOMER INFO		TOLERANCES (UNLESS OTHERWISE SPECIFIED)	DRAWN BY FJM	HYDRAULICS GROUP FILTRATION DIVISION GALESBURG, MICHIGAN, USA • TINTON FALLS, NEW JERSEY, USA	
NAME		DECIMAL: X ± .030 XX ± .010 XXX ± .006	SCALE AS DRAWN		
P.O. NO.		FRACTIONAL: NOZZLE & TO FLOOR: <math>\frac{1}{8}</math> <math>\frac{1}{4}</math> <math>\frac{3}{8}</math> FACE TO FACE: <math>\frac{1}{8}</math> <math>\frac{1}{4}</math> <math>\frac{3}{8}</math> ANGULAR: ± 1°	RESTRICTION RESTRICTED		
S.O. NO.		FLANGES (N/A): ± 1°	TITLE MODULINE TOPLINE (MTBF-0602) FILTER VESSEL 6"-150# IN/OUT FLANGE MANIFOLD MATERIAL SS-316 W/BALL VALVES		
QUANTITY		VESSEL OVERALL HT: 1" BOLT HOLES MUST STRADDLE & MACHINED PARTS TO BE FREE OF BURRS FOR ADDITIONAL TOLERANCE DETAILS REF. ES-211, ES-222 AND ES-223	SHEET 1 OF 1		
PART NO.	F3AVTB0406	REVIEWED FOR CLASSIFICATION PER PR-4 CRITICAL SIGNIFICANT	PROJECTION THIRD ANGLE	DATE 04/27/09	SIZE B
				DWG FILENAME MTBF06XS	REV B