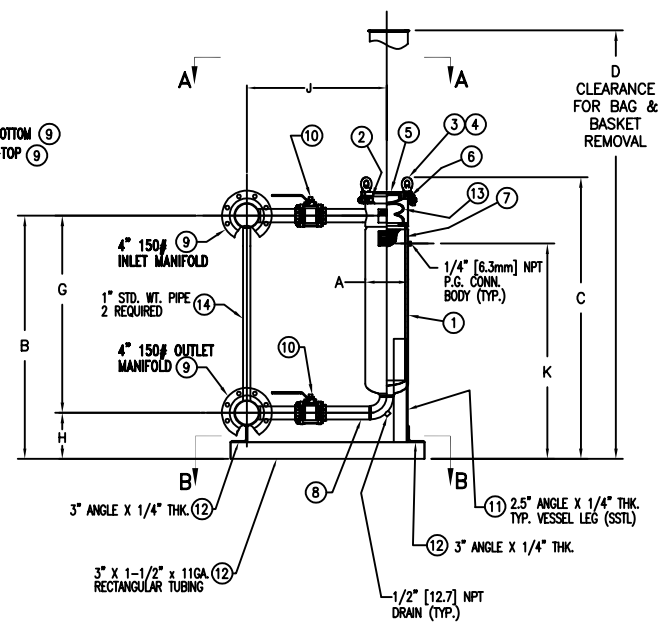
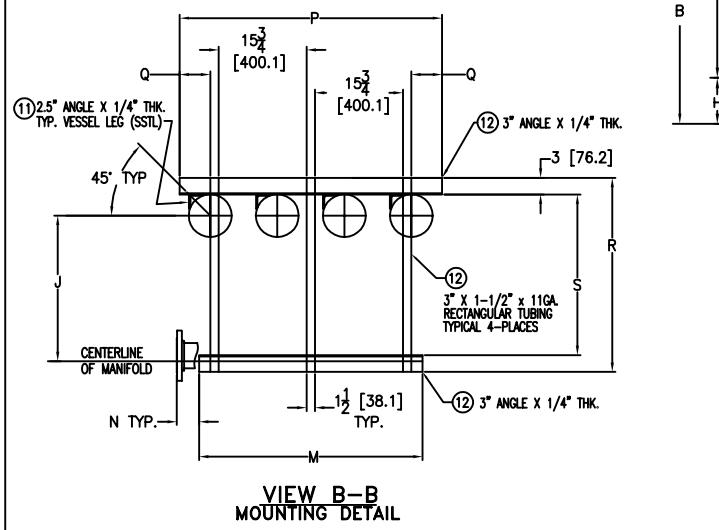
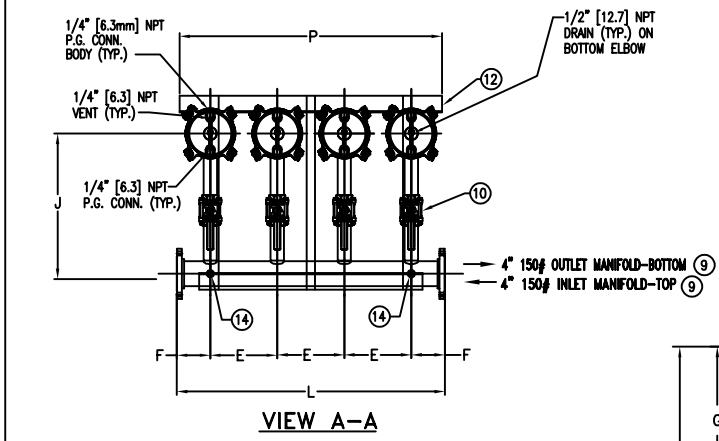


ITEM NUMBER	BAG SIZE	A	B	C	D	E	F	G	H	J	K	L	M	N	P	Q	R	S	WEIGHT
		IN. / MM	IN. / MM	IN. / MM	IN. / MM	IN. / MM	IN. / MM	IN. / MM	IN. / MM	IN. / MM	IN. / MM	IN. / MM	IN. / MM	IN. / MM	IN. / MM	IN. / MM	IN. / MM	IN. / MM	LBS / KGS
F3AVFB20404	O2	7.68 / 195	43-9/16 / 1106.5	50-7/16 / 1281.1	76-3/4 / 1949.5	12 / 304.8	6 / 152.4	35-5/16 / 896.9	8-1/4 / 209.6	25-1/16 / 636.6	38-9/16 / 980	48 / 1219.2	40 / 1016	4 / 101.6	47 / 1194	5-1/2 / 139.7	34-3/4 / 883	28-3/4 / 730.2	625 / 283.5

REV	DATE	CHANGE	ECR	BY	APP
A	03/26/12	NEW RELEASE	0068940	FJM	FM



NO.	PART NAME	MATERIAL
1	BODY	316 STAINLESS STEEL
2	NUT/BOLT	STEEL, ZINC PLATED
3	EYE BOLT	STEEL, ZINC PLATED
4	EYE NUT	STEEL, ZINC PLATED
5	COVER	316 STAINLESS STEEL
6	O-RING	BUNA-N
7	RESTRAINER BASKET	316 STAINLESS STEEL
8	2" ELBOW ASSEMBLY	316 STAINLESS STEEL
9	4" 150# MANIFOLDS	316 STAINLESS STEEL
10	2" 1000# WOG BALL VALVE	SEE NOTE 4
11	VESSEL ANGLE LEG SUPPORT	STAINLESS STEEL
12	SKID ASSEMBLY	STAINLESS STEEL
13	BAG HOLD DOWN	KYNAR
14	MANIFOLD SUPPORT	304 STAINLESS STEEL

- NOTES:**
- INLET/OUTLET 4" 150# CONNECTIONS PER ANSI B16.5.
 - MAMP: 150 PSI @ 250' F (10.3 BAR @ 121.1' C) MDMT: -20' F @ 150 PSI (-28.9' C @ 10.3 BAR)
 - DIMENSIONS SHOWN IN [] ARE IN MILLIMETERS AND FOR REFERENCE ONLY. ACCEPTANCE OF THIS PART WILL BE BASED ON "INCH" UNITS & TOLERANCES ONLY.
 - 2" SOCKET WELD BALL VALVES STAINLESS STEEL EATON STANDARD P/N 41003 FULL PORT 3 PIECE.

TOLERANCES (UNLESS OTHERWISE SPECIFIED)	
DECIMAL:	± .030
FRACTIONAL:	± .010
HOLES:	± .005
FACE TO FACE:	± .005
ANGULAR:	± .1°
FLANGES (DIN):	± .1
VESSEL OVERALL HT:	± .1

BOLT HOLES MUST STRADDLE & MACHINED PARTS TO BE FREE OF BURRS FOR ADDITIONAL TOLERANCE DETAILS REF. ES-211, ES-222 AND ES-223

REVIEWED FOR CLASSIFICATION PER PR-4
 CRITICAL SIGNOFF

CUSTOMER:
 P.O. NO.:
 SALES ORDER NO.:
 QUANTITY:
 VESSEL CODE: M-FBF2-0402-AB10-040A-NL-B-NSS-VAL

		EATON FILTRATION, LLC 70 WOOD AVENUE SOUTH, ISELA, NEW JERSEY 08830	
		MANFLOWLINE 2 (FBF2-0402) FILTER VESSEL 4" 150# IN/OUT FLANGE MANIFOLD STAINLESS STEEL W/BALL VALVES	
DRAWN: FJM SIZE: B DWG NO:	DATE: 03/26/12 CERT: LH DATE: 03/26/12	REF. ECR: 0068940 DATE: 03/30/12	REV: A

REV 5/01