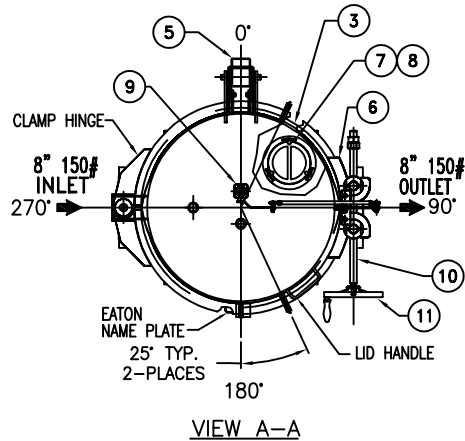
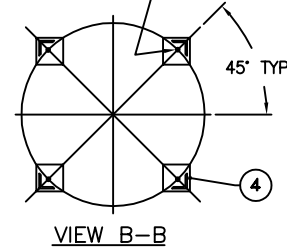


REVISIONS

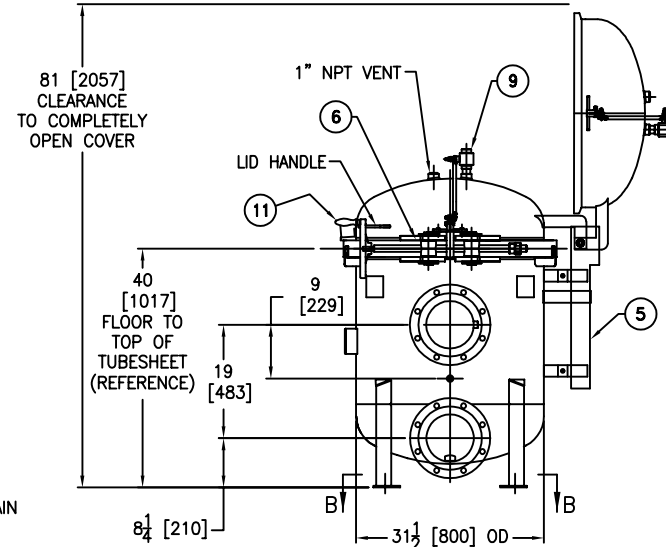
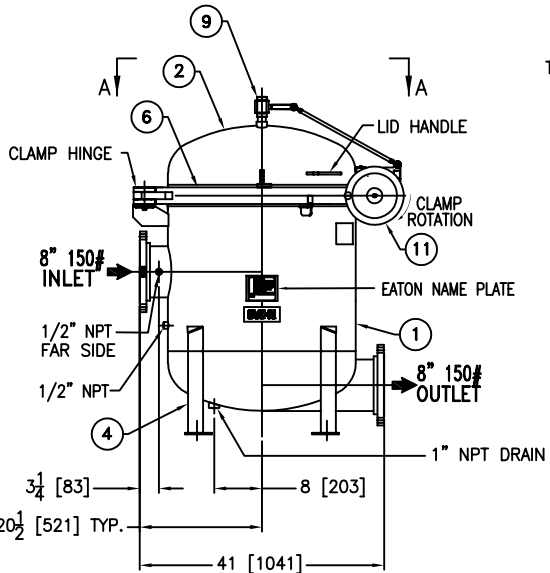
REV	DESCRIPTION	BY	ECO	DATE
F	UPDATED DRAWING	FJM	0087974	08/02/13



(4) .75 [19.0] Ø BOLT HOLES
LOCATED ON 30.71 [780.0] B.C.D.



ITEM	PART NAME	MATERIAL
1	BODY	SA240-316/316L
2	COVER	SA240-316/316L
3	O-RING P/N L0000293	BUNA-N
4	LEGS	STAINLESS STEEL
5	SPRING ASSISTED MECHANISM	STAINLESS STEEL
6	CLAMP ASSEMBLY	STAINLESS STEEL
7	RESTRAINER BASKET P/N L0001753	316 SS
8	FILTER BAG HOLD DOWN	316 SS
9	1" VENT VALVE ASSY.	316 SS
10	SPINDLE BOLT	SA193-B7 NEDOX COATED
11	SPINDLE HAND WHEEL	ALUMINUM (BLACK COATED)



NOTES:

1. UNITS ARE DESIGNED, FABRICATED & U STAMPED IN ACCORDANCE WITH ASME SECT. VIII, DIV. 1 BOILER & PRESSURE VESSEL CODE, IN COMPLIANCE TO LATEST ADDENDA.
2. INLET/OUTLET FLANGE CONNECTIONS PER ANSI B16.5
3. DESIGN PRESSURE: 150 PSIG @ 250°F (10.3 BAR @ 121.1°C)
4. DIMENSIONS SHOWN IN [] ARE IN MILLIMETERS AND FOR REFERENCE ONLY. ACCEPTANCE OF THIS PART WILL BE BASED ON "INCH" UNITS & TOLERANCES ONLY.
5. ALL BOLT HOLES STRADDLE NATURAL CENTERLINE.
6. APPROX. WEIGHT (DRY): 970 lbs. (439 kgs.)
7. APPROX. SHIPPING WEIGHT 1100 lbs. (498 kgs.)

VESSEL CODE: VMBF-0802-AB10-080A-UT-11SE

TOLERANCES (UNLESS OTHERWISE SPECIFIED)	
DECIMAL:	.X ± .030 .XX ± .010 .XXX ± .005
FRACTIONAL:	± 1/16
NOZZLE Ø TO FLOOR:	1/8" < 4" > 1/4"
FACE TO FACE:	1/8" < 4" > 1/4"
ANGULAR:	± 1°
FLANGES (H/V):	± 1/16"
VESSEL OVERALL HT:	1"

BOLT HOLES MUST STRADDLE Ø
MACHINED PARTS TO BE FREE OF BURRS
FOR ADDITIONAL TOLERANCE DETAILS
REF. ES-211, ES-222 AND ES-223

REVIEWED FOR CLASSIFICATION PER PR-4
 CRITICAL SIGNIFICANT

CUSTOMER INFO	
NAME	
P.O. NO.	
S.O. NO.	
QUANTITY	
PART NO.	F3AV0800200

DRAWN BY	FJM
SCALE	AS DRAWN
RESTRICTION	RESTRICTION
SHEET	1 OF 1
PROJECTION	THIRD ANGLE

EATON FILTRATION, LLC DESIGN CENTER TINTON FALLS, NEW JERSEY, USA • PORTAGE, MICHIGAN, USA	
TITLE MAXILINE (VMBF-0802) FILTER VESSEL 8" 150# RF INLET/ TANGENTIAL OUTLET SPINDLE TYPE-SE IN-LINE MAT'L. SS-316	
DATE	02/26/03
SIZE	A
DWG FILENAME	SE0808TS
REV	F

EATON CORPORATION - CONFIDENTIAL AND PROPRIETARY NOTICE TO PERSONS RECEIVING THIS DRAWING AND/OR TECHNICAL INFORMATION
THIS DOCUMENT, INCLUDING THE DRAWING AND INFORMATION CONTAINED THEREON IS CONFIDENTIAL AND IS THE EXCLUSIVE PROPERTY OF EATON AT ANY TIME. BY TAKING THE
POSSESSION OF THIS DOCUMENT THE RECIPIENT ACKNOWLEDGES AND AGREES THAT THIS DOCUMENT CANNOT BE USED IN ANY MANNER ADVERSE TO THE INTEREST OF EATON AND
THAT NO PORTION OF THIS DRAWING MAY BE COPIED OR OTHERWISE REPRODUCED WITHOUT THE PRIOR WRITTEN CONSENT OF EATON. IN THE CASE OF CONFLICTION CONTRACTUAL
PROVISIONS, THIS NOTICE SHALL GOVERN THE STATUS OF THIS DOCUMENT.
2013 EATON CORPORATION - ALL RIGHTS RESERVED.