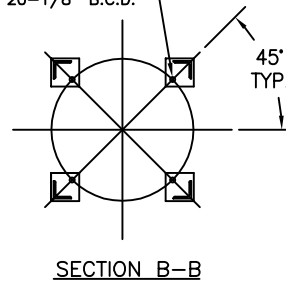


(4) 3/4" DIA BOLT HOLES
LOCATED AS SHOWN
ON 20-1/8" B.C.D.

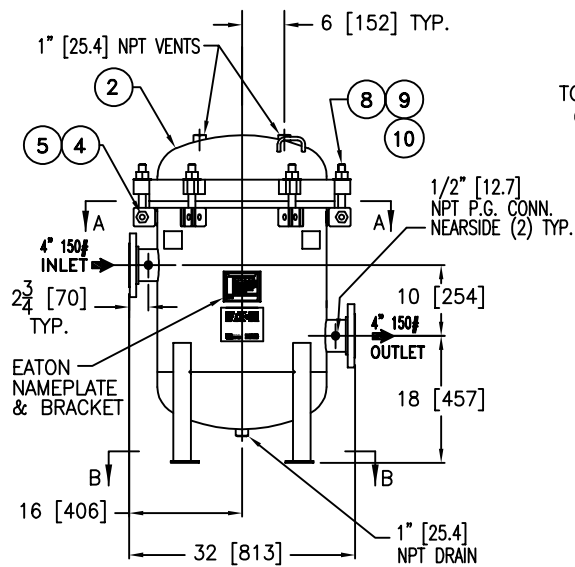


REV	DATE	CHANGE	ECR	BY	APP
A	10/18/11	NEW ISSUE	0062981	FJM	FM

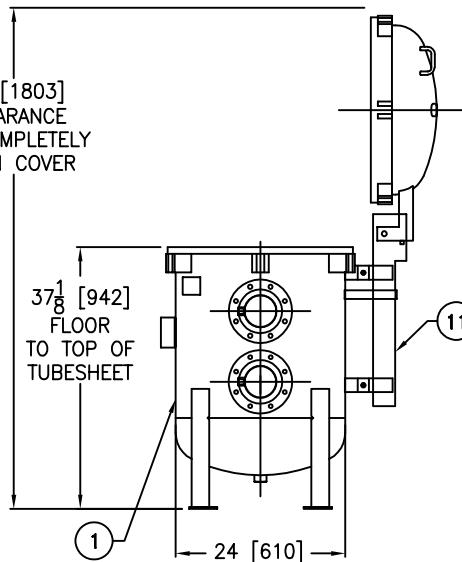
ITEM	PART NAME	MATERIAL
1	BODY	SA53 GR. E/B
2	COVER	SA516 GR. 70
3	O-RING	BUNA-N
4	PIN	SA193 B7 ZINC PL
5	SNAP RING	STEEL ZINC PL
6	RESTRAINER BASKET	304 SS
7	FILTER BAG RETAINER	316 SS
8	EYE BOLT	SA193 B7 ZINC PL
9	HEX NUT	SA194 2H ZINC PL
10	WASHER	STEEL ZINC PL
11	SPRING ASSISTED MECHANISM	STAINLESS STEEL

NOTES:

- UNITS ARE TO BE DESIGNED, FABRICATED & "U" STAMPED IN ACCORDANCE WITH ASME SECT. VIII, DIV. 1 BOILER & PRESSURE VESSEL CODE, IN COMPLIANCE TO LATEST ADDENDA.
- INLET / OUTLET FLANGE CONNECTIONS PER ANSI B 16.5.
- DESIGN PRESSURE: 150 PSI (MAWP)
DESIGN TEMPERATURE 250° F.
MDMT - -20° F @ 150 PSI.
- ALL DIMENSIONS ARE IN INCHES / (MM).
- ALL BOLT HOLES ARE TO STRADDLE NATURAL CENTERLINES.
- APPROX. WEIGHT (DRY) 615 LB. (278 kgs)
- APPROX. SHIPPING WEIGHT 735 LBS. (333 kgs)
- PAINT C/STL. PER EATON STANDARD ES-301.



71 [1803]
CLEARANCE
TO COMPLETELY
OPEN COVER



CERTIFIED FOR:

P.O. NO.:

SALES ORDER NO.:

QUANTITY:

VESSEL CODE: MBF-0402-CS10-040A-US-13HE

PART NUMBER: F3AV0400006

EATON	EATON FILTRATION, LLC
	70 WOOD AVENUE SOUTH, ISELIN, NEW JERSEY 08830
NAME MAXILINE MBF0402HE FILTER VESSEL 4" 150# RF INLET / SIDE OUTLET CARBON STEEL	

DRAWN	FJM	DATE	10/18/11	CERT.	LH	DATE	10/18/11
-------	-----	------	----------	-------	----	------	----------

SIZE	DWG	REV
A	NO	A
SHE0404TC		

TOLERANCES (UNLESS OTHERWISE SPECIFIED)	
DECIMAL:	.XX ± .030 .XXX ± .010 .XXXX ± .005
FRACTIONAL:	± .005
NOZZLE E TO FLOOR:	± .005
FACE TO FACE:	± .005
ANGULAR:	± .005
FLANGES (M/V):	± .005
VESSEL OVERALL HT:	± .005
BOLT HOLES MUST STRADDLE & MACHINED PARTS TO BE FREE OF BURRS FOR ADDITIONAL TOLERANCE DETAILS REF. IS-211, IS-222 AND IS-223	
REVIEWED FOR CLASSIFICATION PER PR-4	
CRITICAL	SIGNIFICANT

ELECTRONIC FILE NAME:	SHE0404TC.DWG
REF. ECR	0062981
DATE	10/18/11

UNAUTHORIZED USE, MANUFACTURE OR REPRODUCTION IN WHOLE OR IN PART IS PROHIBITED. DRAWING, DESIGN AND OTHER DISCLOSURES PROPERTY OF EATON FILTRATION, LLC

REV 8/00