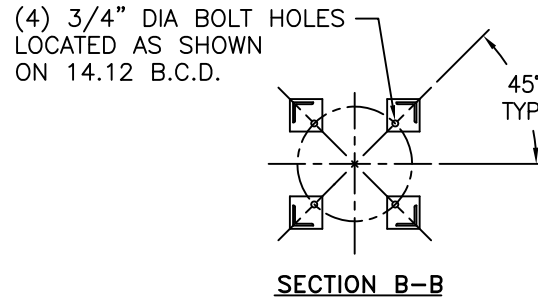
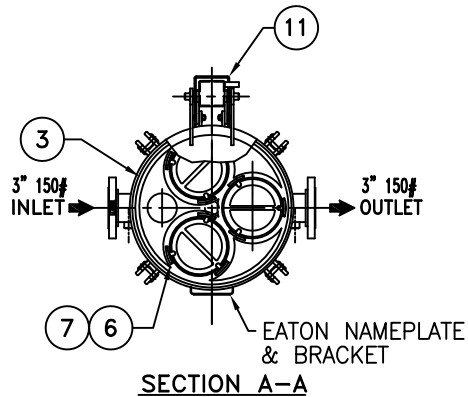
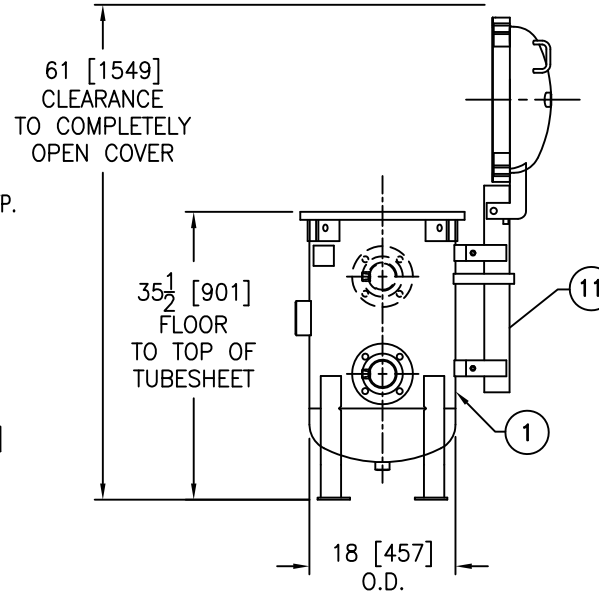
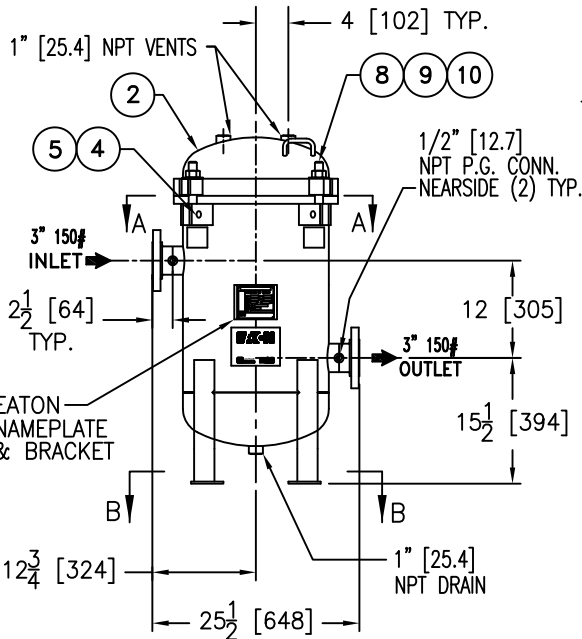


REV	DATE	CHANGE	ECR	BY	APP
A	08/27/12	NEW ISSUE	0075092	FJM	FM



(4) 3/4" DIA BOLT HOLES
LOCATED AS SHOWN
ON 14.12 B.C.D.

ITEM	PART NAME	MATERIAL
1	BODY	SA240-304/304L
2	COVER	SA240-304/304L
3	O-RING	BUNA-N
4	PIN	SA193 B7 ZINC PL
5	SNAP RING	STEEL ZINC PL
6	RESTRAINER BASKET P/N L0001753	304 SS
7	FILTER BAG RETAINER	304 SS
8	EYE BOLT	SA193 B7 ZINC PL
9	HEX NUT	SA194 2H ZINC PL
10	WASHER	STEEL ZINC PL
11	SPRING ASSISTED MECHANISM	STAINLESS STEEL



NOTES:

- UNITS ARE TO BE DESIGNED, FABRICATED & "U" STAMPED IN ACCORDANCE WITH ASME SECT. VIII, DIV. 1 BOILER & PRESSURE VESSEL CODE IN COMPLIANCE TO LATEST ADDENDA.
- INLET / OUTLET FLANGE CONNECTIONS PER ANSI B 16.5.
- DESIGN PRESSURE: 150 PSI (MAWP)
DESIGN TEMPERATURE 250° F.
MDMT - -20° F @ 150 PSI.
- ALL DIMENSIONS ARE IN INCHES / (MM).
- ALL BOLT HOLES ARE TO STRADDLE NATURAL CENTERLINES.
- APPROX. WEIGHT (DRY) 460 LBS (208 kgs)
- APPROX. SHIPPING WEIGHT 575 LBS (260kgs)

CERTIFIED FOR:
P.O. NO.:
SALES ORDER NO.:
QUANTITY:
VESSEL CODE: MBF-0302-BB10-030A-US-11HE
PART NUMBER: F3AV0300007-304

	EATON FILTRATION, LLC 70 WOOD AVENUE SOUTH, ISELIN, NEW JERSEY 08830
	NAME MAXILINE MBF0302HE FILTER VESSEL 3" 150# RF INLET/SIDE OUTLET STAINLESS STEEL-304

DRAWN	FJM	DATE	08/27/12	CERT.	LH	DATE	08/27/12
SIZE	DWG NO	SHE0303TS-304				REV	A

UNAUTHORIZED USE, MANUFACTURE OR REPRODUCTION IN WHOLE OR IN PART IS PROHIBITED. DRAWING, DESIGN AND OTHER DISCLOSURES PROPERTY OF EATON FILTRATION, LLC

ELECTRONIC FILE NAME: SHE0303TS-304.DWG
REF. ECR 0075092 DATE 08/27/12

TOLERANCES (UNLESS OTHERWISE SPECIFIED)	
DECIMAL:	.X ± .030 .XX ± .010 .XXX ± .005
FRACTIONAL:	± 1/16 ± 1/32
NOZZLE Ø TO FLOOR:	1" < 4" > ± 1/8 4" < 4' > ± 1/4
FACE TO FACE:	± 1/8
ANGULAR:	± 1'
FLANGES (H/A):	± 1/8
VESSEL OVERALL HT:	± 1"

BOLT HOLES MUST STRADDLE & MACHINED PARTS TO BE FREE OF BURRS FOR ADDITIONAL TOLERANCE DETAILS REF. ES-211, ES-222 AND ES-223
REVIEWED FOR CLASSIFICATION PER PR-4
CRITICAL SIGNIFICANT