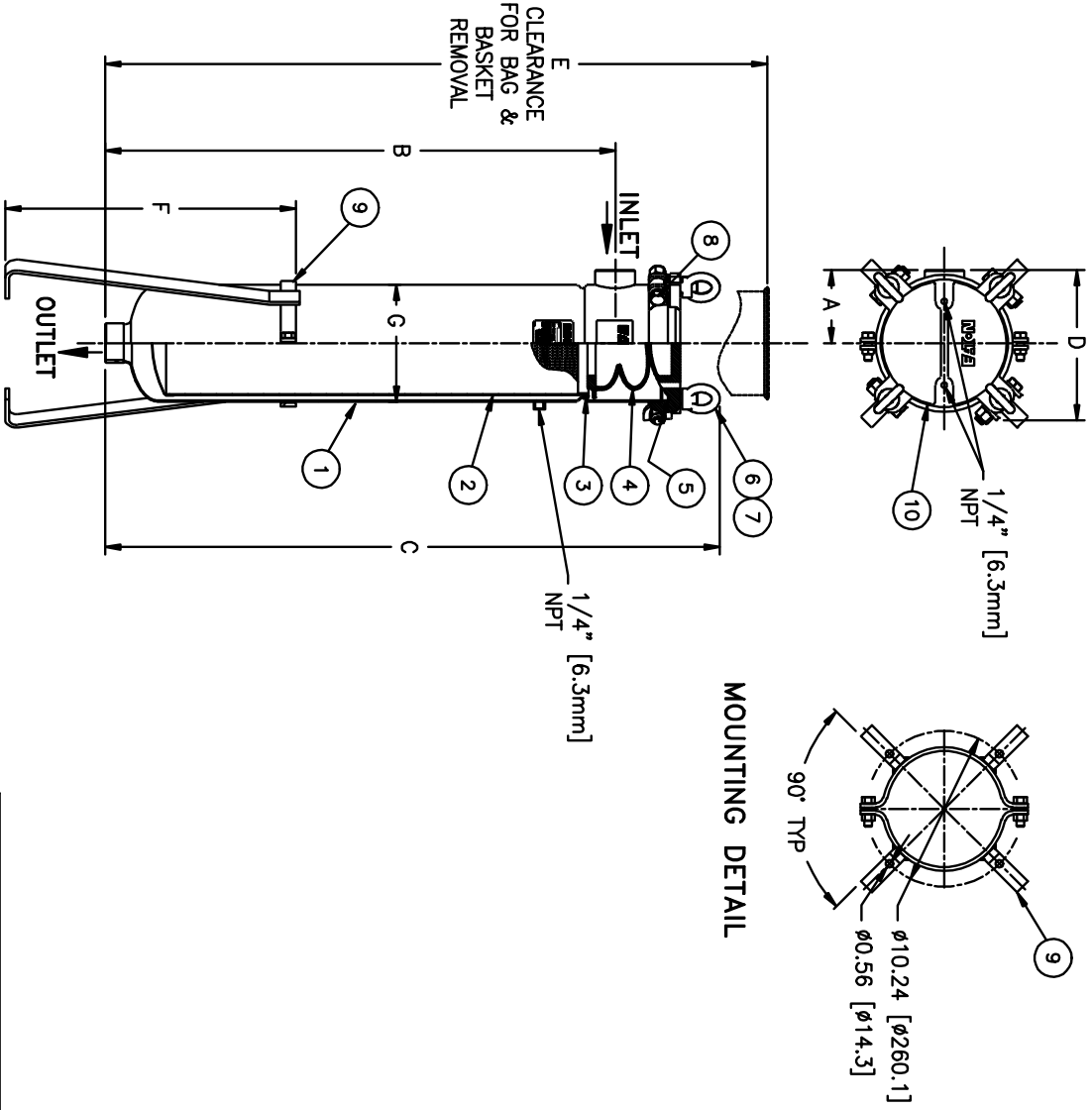


| ITEM NUMBER | VESSEL CODE | BAG SIZE | A IN. / MM | B IN. / MM | C IN. / MM | D IN. / MM | E IN. / MM | F IN. / MM | G IN. / MM | FLOW RATE GPM (MAX) | WEIGHT LBS / KGS |
|-----------------|---------------------|----------|------------|-------------|--------------|------------|--------------|-------------|------------|---------------------|------------------|
| SBL101S62NSBSP0 | FBF2-0101-AB10-020N | 01 | 4.80 / 122 | 18.39 / 467 | 25.25 / 641 | 9.88 / 251 | 35.55 / 903 | 19.10 / 485 | 7.68 / 195 | 90 | 37 / 16.8 |
| SBL102S62NSBSP0 | FBF2-0102-AB10-020N | 02 | 4.80 / 122 | 33.55 / 852 | 40.41 / 1026 | 9.88 / 251 | 66.50 / 1689 | 19.10 / 485 | 7.68 / 195 | 180 | 50 / 22.7 |



MOUNTING DETAIL

| NO. | PART NAME | MATERIAL |
|-----|-------------------|---------------------|
| 1 | BODY | 316 STAINLESS STEEL |
| 2 | RESTRAINER BASKET | 316 STAINLESS STEEL |
| 3 | BASKET O-RING | BUNA-N |
| 4 | BAG HOLD DOWN | KYNAR PUDF |
| 5 | O-RING | BUNA-N |
| 6 | EYE BOLT | STEEL, ZINC PLATED |
| 7 | EYE NUT | STEEL, ZINC PLATED |
| 8 | BOLT | STEEL, ZINC PLATED |
| 9 | LEGS | CARBON STEEL |
| 10 | COVER | 316 STAINLESS STEEL |

NOTES:

1. INLET/OUTLET 2" NPT CONNECTIONS
2. MAWP: 150 PSI @ 250° F (-20° F @ 150 PSI (10.3 BAR @ 121.1° C) (-28.9° C @ 10.3 BAR) MIDMT:
3. MAXIMUM OPERATING TEMP. 250° F (121.1° C)

CERTIFIED FOR:
P.O. NO.:
SALES ORDER NO.:
QUANTITY:
TAG NO.:
FILTER BAG:

Eaton
EATON FILTRATION, LLC
70 WOOD AVENUE SOUTH, ISELIN, NEW JERSEY 08830

NAME: FLOWLINE II FILTER VESSEL
2" NPT THREADED CONNECTION
STAINLESS STEEL

UNAUTHORIZED USE, MANUFACTURE OR REPRODUCTION IN WHOLE OR IN PART IS PROHIBITED. DRAWING, DESIGN AND OTHER DISCLOSURES PROPERTY OF EATON FILTRATION, LLC

ELECTRONIC FILE NAME: FBF211XS.dwg
REF. EOR DATE 02/09/10

| SIZE | DWG NO | DATE | CERT. | DATE | REV |
|------|--------|----------|-------|------|-----|
| A | | 02/09/10 | | | A |

FBF211XS