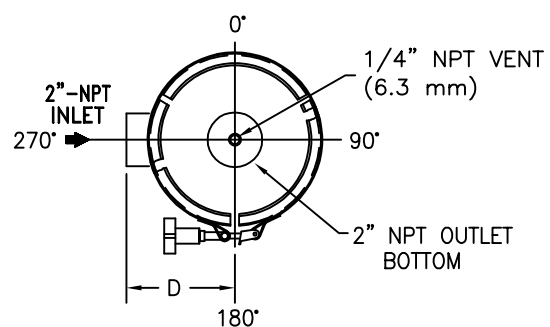
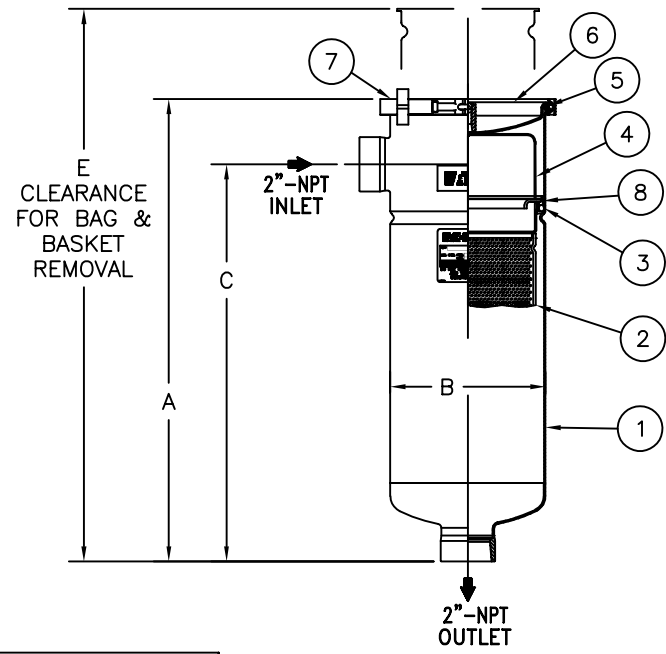


| PIPE SIZE (NOM) | ITEM NUMBER  | BAG SIZE | A IN. / MM   | B IN. / MM    | C IN. / MM    | D IN. / MM  | E IN. / MM | WEIGHT LBS / KGS |
|-----------------|--------------|----------|--------------|---------------|---------------|-------------|------------|------------------|
| 2 (50.8mm)      | EBF0111SB02T | 01       | 22-7/8 / 581 | 7-11/16 / 195 | 19-5/8 / 499  | 5-3/8 / 136 | 37 / 940   | 25 / 11.3        |
| 2 (50.8mm)      | EBF0112SB02T | 02       | 38-1/2 / 978 | 7-11/16 / 195 | 35-3/16 / 894 | 5-3/8 / 136 | 68 / 1727  | 38 / 17.2        |

| REVISIONS |                 |     |         |          |
|-----------|-----------------|-----|---------|----------|
| REV       | DESCRIPTION     | BY  | ECO     | DATE     |
| G         | UPDATED DRAWING | FJM | 0087052 | 07/03/13 |



| NO. | PART NAME                              | MATERIAL            |
|-----|--|---------------------|
| 1   | BODY                                   | 316 STAINLESS STEEL |
| 2   | RESTRAINER BASKET 01 SIZE P/N L0001752 | 316 STAINLESS STEEL |
| 2   | RESTRAINER BASKET 02 SIZE P/N L0001753 | 316 STAINLESS STEEL |
| 3   | ADAPTOR O-RING P/N 811441              | BUNA-N              |
| 4   | BAG HOLD DOWN                          | 316 STAINLESS STEEL |
| 5   | O-RING P/N 811441                      | BUNA-N              |
| 6   | COVER                                  | 316 STAINLESS STEEL |
| 7   | V-CLAMP                                | STAINLESS STEEL     |
| 8   | ADAPTOR PLATE                          | STAINLESS STEEL     |



- NOTES:**
- INLET/OUTLET "NPT" THREADED CONNECTIONS PER ANSI B1.20.1
  - MAWP: 100 PSI @ 250 °F (6.8 BAR @ 121.1 °C)
  - DIMENSIONS SHOWN IN [ ] ARE IN MILLIMETERS AND FOR REFERENCE ONLY. ACCEPTANCE OF THIS PART WILL BE BASED ON "INCH" UNITS & TOLERANCES ONLY.

VESSEL CODE 01 SIZE: EBF-0101-AB07-020N-NS-B-NNS  
VESSEL CODE 02 SIZE: EBF-0102-AB07-020N-NS-B-NNS

|             |             |   |
|-------------|-------------|---|
| DRAWN BY    | LF          | <b>EATON</b> EATON FILTRATION, LLC<br>DESIGN CENTER<br>TINTON FALLS, NEW JERSEY, USA • PORTAGE, MICHIGAN, USA |
| SCALE       | AS DRAWN    |   |
| RESTRICTION | RESTRICTION | TITLE   |
| SHEET       | 1 OF 1      | ECOLINE (EBF) FILTER VESSEL<br>2" NPT THREADED CONNECTIONS<br>SS-316 W/BUNA O-RINGS                           |
| PROJECTION  | THIRD ANGLE | DATE  |
|             |             | 07/27/99  |
|             |             | SIZE  |
|             |             | A   |
|             |             | DWG FILENAME  |
|             |             | EBF11XS   |
|             |             | REV   |
|             |             | G   |

| TOLERANCES (UNLESS OTHERWISE SPECIFIED) |  |
|---|--|
| DECIMAL:                                | .X ± .030<br>.XX ± .010<br>.XXX ± .005   |
| FRACTIONAL:                             | ± 1/16<br>± 1/32                         |
| NOZZLE Ø TO FLOOR:                      | 1/8" < 4' > ± 1/8"<br>1/4" < 4' > ± 1/4" |
| FACE TO FACE:                           | ± 1"                                     |
| ANGULAR:                                | ± 1'                                     |
| FLANGES (H/V):                          | ± 1/8"                                   |
| VESSEL OVERALL HT:                      | ± 1"                                     |

BOLT HOLES MUST STRADDLE & MACHINED PARTS TO BE FREE OF BURRS FOR ADDITIONAL TOLERANCE DETAILS REF. ES-211, ES-222 AND ES-223

REVIEWED FOR CLASSIFICATION PER PR-4

CRITICAL SIGNIFICANT

| CUSTOMER INFO |           |
|---------------|-----------|
| NAME          |           |
| P.O. NO.      |           |
| S.O. NO.      |           |
| QUANTITY      |           |
| PART NO.      | SEE ABOVE |

EATON CORPORATION - CONFIDENTIAL AND PROPRIETARY NOTICE TO PERSONS RECEIVING THIS DRAWING AND/OR TECHNICAL INFORMATION THIS DOCUMENT, INCLUDING THE DRAWING AND INFORMATION CONTAINED THEREON IS CONFIDENTIAL AND IS THE EXCLUSIVE PROPERTY OF EATON AT ANY TIME. BY TAKING THE POSSESSION OF THIS DOCUMENT THE RECIPIENT ACKNOWLEDGES AND AGREES THAT THIS DOCUMENT CANNOT BE USED IN ANY MANNER ADVERSE TO THE INTEREST OF EATON AND THAT NO PORTION OF THIS DOCUMENT MAY BE COPIED OR OTHERWISE REPRODUCED WITHOUT THE PRIOR WRITTEN CONSENT OF EATON, IN THE CASE OF CONFLICTION CONTRACTUAL PROVISIONS, THIS NOTICE SHALL GOVERN THE STATUS OF THIS DOCUMENT. 2013 EATON CORPORATION - ALL RIGHTS RESERVED.