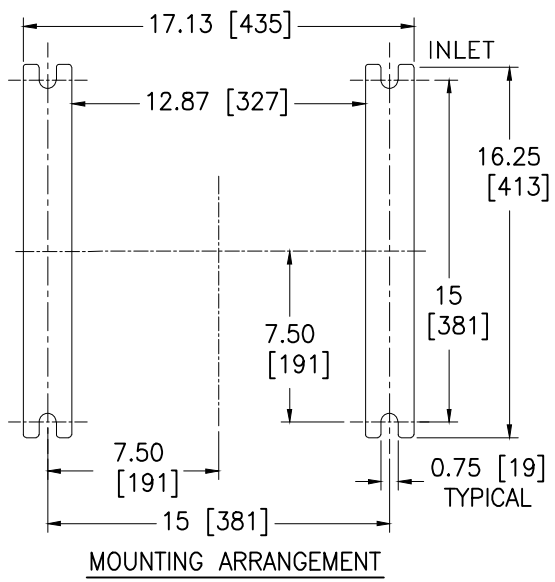
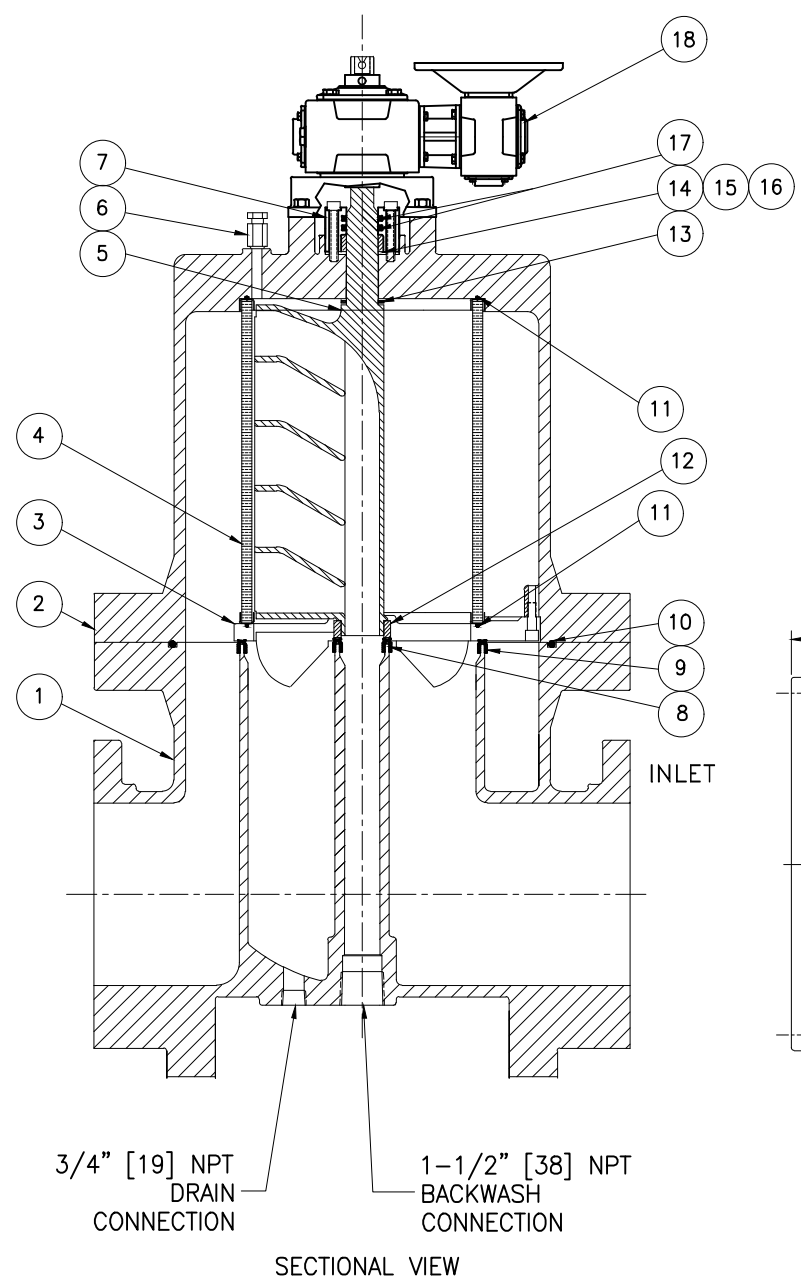
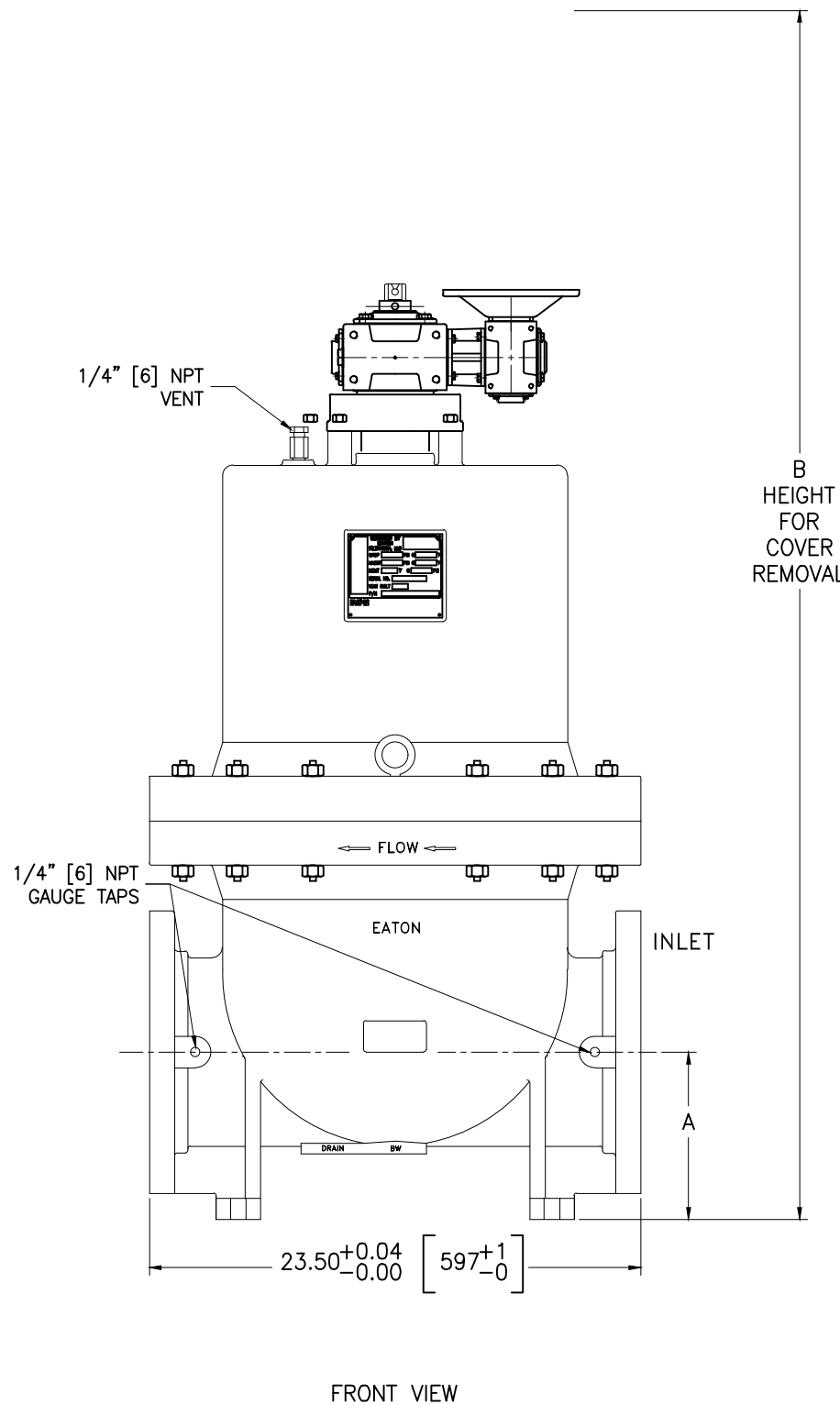


PIPE SIZE (NOMINAL)	DIMENSIONS		WEIGHT			PART NUMBER
	A IN.	B MM.	COVER LB.	DRY KG.	WET LB.	
4L" (100mm)	8 / 203	55 / 1397	438 / 199	805 / 366	998 / 453	259604L0063
6" (150mm)	8 / 203	58 / 1473	438 / 199	869 / 395	1081 / 491	25960600063
8" (200mm)	8 / 203	58 / 1473	438 / 199	901 / 409	1129 / 513	25960800063

NO.	PART NAME	MATERIAL
1	BODY	A278 CL.30
2	COVER	A278 CL.30
3	CENPELLER SUPPORT	316 STAINLESS STEEL
4	STRAINING ELEMENT	316 STAINLESS STEEL
5	BACKWASH ARM-SHAFT	316 STAINLESS STEEL
6	VENT	BRASS
7	idL™ HOUSING	316 STAINLESS STEEL
8	INNER SEAL	BUNA-N
9	OUTER SEAL	BUNA-N
10	GIRTH O-RING	BUNA-N
11	ELEMENT O-RING	BUNA-N
12	LOWER BUSHING	COMPOSITE
13	SHAFT WASHER	NYLON
14	SHAFT GASKET	BUNA-N
15	UPPER BUSHING RING	TEFLON
16	UPPER BUSHING	COMPOSITE
17	SHAFT SEAL RINGS	BUNA-N
18	GEAR REDUCER	CAST IRON



- NOTES:
1. INLET AND OUTLET CONNECTIONS PER DIN2533 / BS4504 PN16 FLANGE.
  2. FOR REPLACEMENT PARTS, MODEL NO., SIZE AND SERIAL NUMBER FROM THE STRAINER NAMEPLATE MUST BE FURNISHED.
  3. DESIGN PRESSURE: 200 PSI @ 150° F [13.8 BAR @ 65.5° C]

CERTIFIED FOR:  
P.O. NO.:  
REG. NO.:  
QUOTE NO.:  
TAG NO.:  
NUMBER OF UNITS:  
STRAINING ELEMENT:

**EATON FILTRATION, LLC**  
900 FAIRMOUNT AVENUE, ELIZABETH, NEW JERSEY 07207

NAME MODEL 2596 AUTOMATIC STRAINER  
PN16 FLANGE CAST IRON  
SIZES 4L" (100mm) THROUGH 8" (200mm)

DRAWN	FM	DATE	6/8/07	CERT.	LH	DATE	6/8/07
SIZE	DWG	SD2596C5				REV	C
B	NO						

ELECTRONIC FILE NAME: SD2596C5.DWG  
REF. ECR 0038168 DATE 12/10/09

UNAUTHORIZED USE, MANUFACTURE OR REPRODUCTION IN WHOLE OR IN PART IS PROHIBITED. DRAWING, DESIGN AND OTHER DISCLOSURES PROPERTY OF EATON FILTRATION, LLC