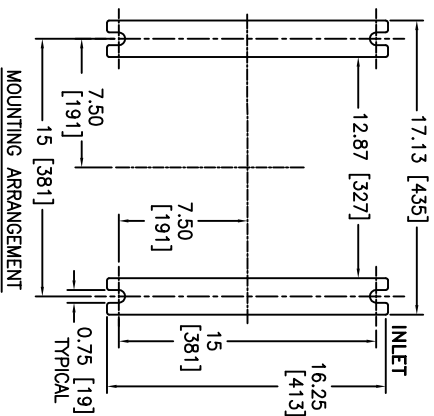
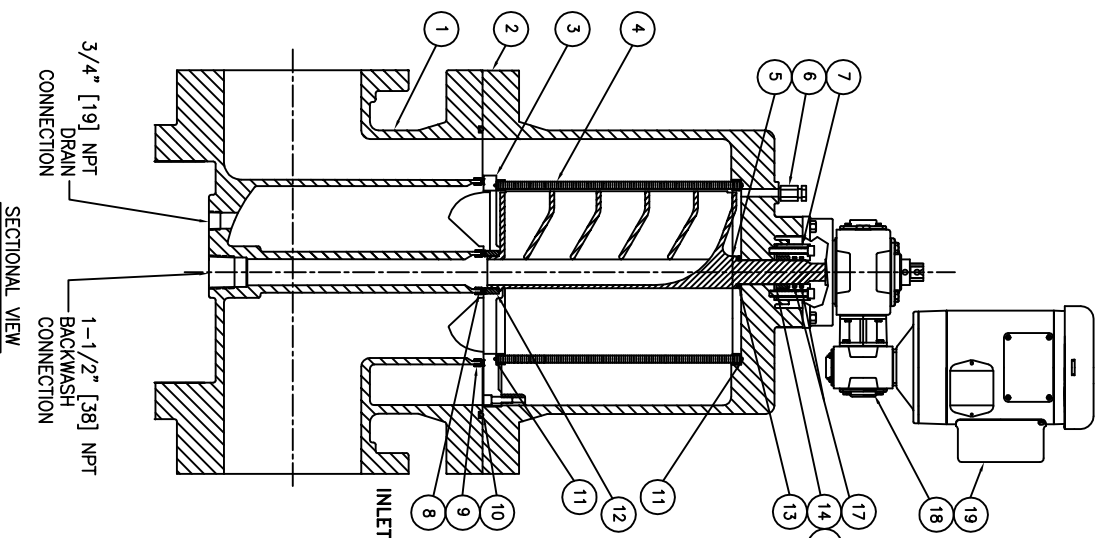
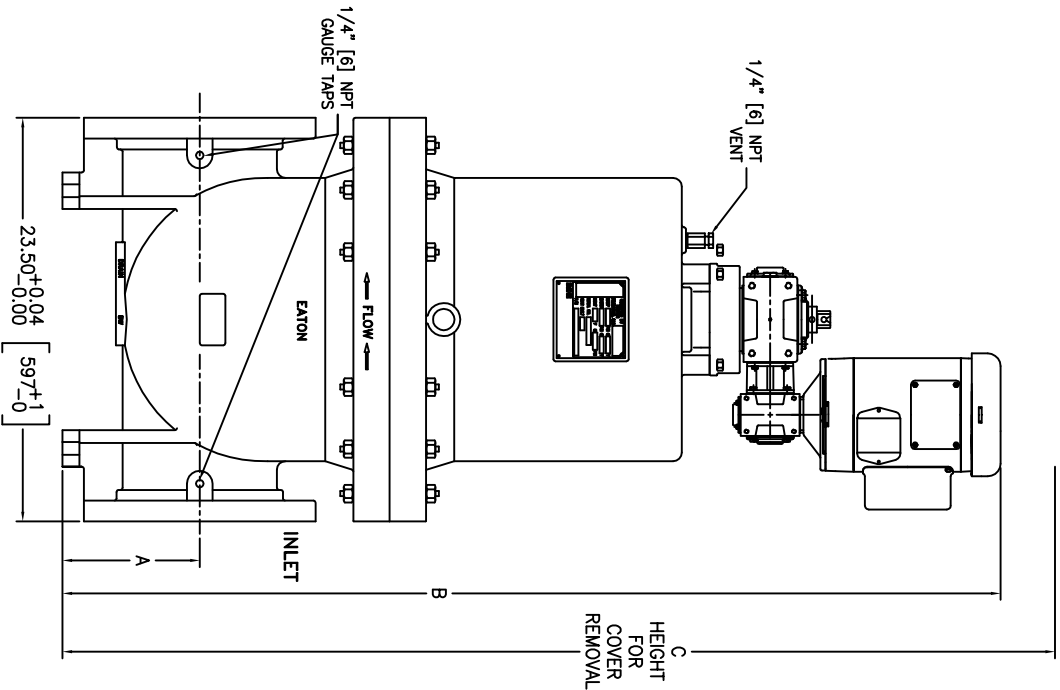


PIPE SIZE (NOMINAL)	DIMENSIONS			WEIGHT			PART NUMBER
	A IN. MM.	B IN. MM.	C IN. MM.	COVER LB. KG.	DRY LB. KG.	WET LB. KG.	
4L" (100mm)	8 / 203	52 / 1321	55 / 1397	438 / 199	805 / 366	998 / 453	259604L0053
6" (150mm)	8 / 203	55 / 1397	58 / 1473	438 / 199	869 / 395	1081 / 491	25960600053
8" (200mm)	8 / 203	55 / 1397	58 / 1473	438 / 199	901 / 409	1129 / 513	25960800053



NO.	PART NAME	MATERIAL
1	BODY	A278 CL.30
2	COVER	A278 CL.30
3	CENPELLER SUPPORT	316 STAINLESS STEEL
4	STRAINING ELEMENT	316 STAINLESS STEEL
5	BACKWASH ARM-SHAFT	316 STAINLESS STEEL
6	VENT	BRASS
7	IDL™ HOUSING	316 STAINLESS STEEL
8	INNER SEAL	BUANA-N
9	OUTER SEAL	BUANA-N
10	GIRTH O-RING	BUANA-N
11	ELEMENT O-RING	BUANA-N
12	LOWER BUSHING	COMPOSITE
13	SHAFT WASHER	NYLON
14	SHAFT GASKET	BUANA-N
15	UPPER BUSHING RING	TEFLON
16	UPPER BUSHING	COMPOSITE
17	SHAFT SEAL RINGS	BUANA-N
18	GEAR REDUCER	CAST IRON
19	MOTOR	1/4 HP

- NOTES:
- ALL FLANGE CONNECTIONS PER ASME/ANSI B16.1.
 - FOR REPLACEMENT PARTS, MODEL NO., SIZE AND SERIAL NUMBER FROM THE STRAINER NAMEPLATE MUST BE FURNISHED.
 - DESIGN PRESSURE: 200 PSI @ 150° F [13.8 BAR @ 65.5° C]

CERTIFIED FOR:
P.O. NO.:
REG. NO.:
QUOTE NO.:
TAG NO.:
NUMBER OF UNITS:
STRAINING ELEMENT:

EATON FILTRATION, LLC
900 PARKWAY AVENUE, ELIZABETH, NEW JERSEY 07207

MODEL 2596 AUTOMATIC STRAINER
125 ANSI CLASS FF FLANGE CAST IRON
SIZES 4L" (100mm) THROUGH 8" (200mm)

DATE	05/17/06	DATE	05/17/06
DATE	05/17/06	DATE	05/17/06
DATE	05/17/06	DATE	05/17/06

ELECTRONIC FILE NAME: SD2596CC1.DWG
REF: EOR 0800413 DATE 10/9/08

UNAUTHORIZED USE, MANUFACTURE OR
REPRODUCTION IN WHOLE OR IN PART IS
PROHIBITED. DRAWING, DESIGN AND
OTHER DISCLOSURES PROPERTY OF
EATON FILTRATION, LLC

SD2596CC2