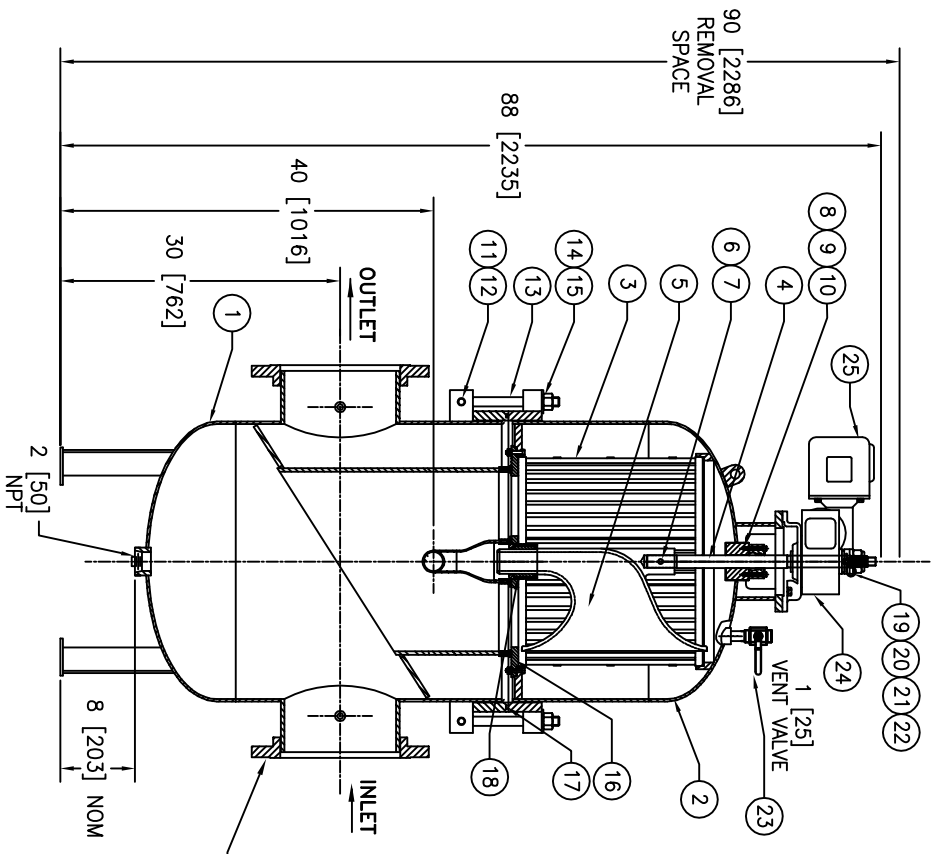
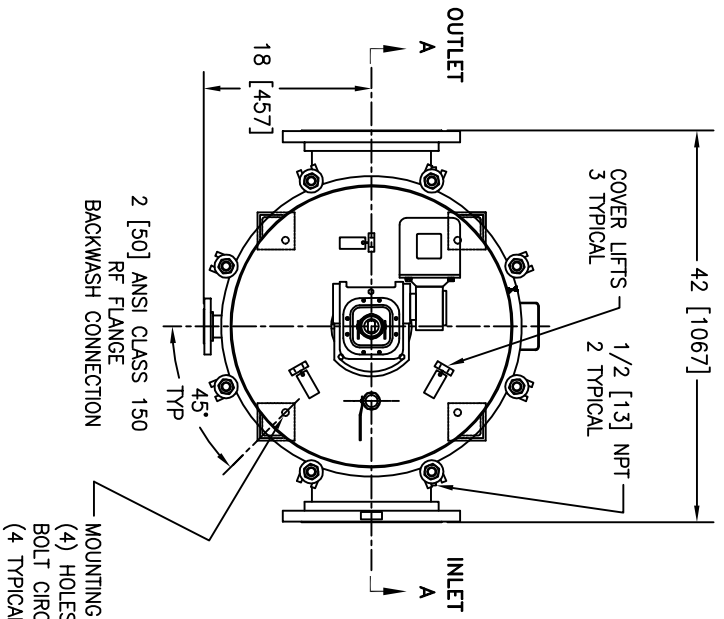


NO.	PART NAME	MATERIAL
1	BODY	STAINLESS STEEL
2	COVER	STAINLESS STEEL
3	STRAINING ELEMENT	316 STAINLESS STEEL
4	BACKWASH SHAFT	STAINLESS STEEL
5	BACKWASH ARM	STAINLESS STEEL
6	B/W ARM NUT	STAINLESS STEEL
7	B/W ARM DRIVE PIN	STAINLESS STEEL
8	BEARING HOUSING	STAINLESS STEEL
9	QUAD SEAL	BRUNA
10	PILOT PACKING BUSHING	COMPOSITE
11	EYE BOLT PIN	CARBON STL ZINC PL.
12	RETAINING RING	CARBON STL ZINC PL.
13	EYE BOLT	CARBON STL ZINC PL.
14,15	HEX NUT WASHER	CARBON STL ZINC PL.
16	LOWER SUPPORT RING	STAINLESS STEEL
17	GIRTH O-RING	NITRILE
18	LOWER BUSHING	COMPOSITE
19	SHAFT DRIVE PIN	STAINLESS STEEL
20	COTTER PIN	STAINLESS STEEL
21,22	STOP NUT, SPACER	CARBON STEEL
23	VENT VALVE, NIPPLE	STAINLESS STEEL
24	GEAR REDUCER	CAST IRON
25	MOTOR	1/4 HP



- NOTES:
1. ALL DIMENSIONS ARE INCH [MM].
 2. FOR REPLACEMENT PARTS, MODEL NO., SIZE & SERIAL NO. FROM THE STRAINER NAMEPLATE MUST BE FURNISHED.
 3. DESIGN PRESSURE: 150 PSI @ 150°F [10.3 BARS @ 65.5°C]
 4. INTERNAL COATING: NONE
 5. EXTERNAL COATING: PER ES-309
 6. WEIGHTS: DRY 1300 LBS. COVER 700 LBS. FLOODED 2700 LBS. [DRY 590 KGS. COVER 318 KGS. FLOODED 1225 KGS]
 7. PART NO.: 25961202200PS

CERTIFIED FOR:
 QUOTE NO.:
 P.O. NO.:
 S.O. NO.:
 NO. OF STRAINERS:
 STRAINING ELEMENT:

ELECTRONIC FILE NAME: SD259601PS.DWG
 REF. ECR 0090320 DATE 10/7/13

UNAUTHORIZED USE, MANUFACTURE OR REPRODUCTION IN WHOLE OR IN PART IS PROHIBITED. DRAWING, DESIGN AND OTHER DISCLOSURES PROPERTY OF EATON FILTRATION, LLC

		DRAWN FM		DATE 9/13/04	CERT. LH	DATE 9/13/04	REV C
		SIZE DWG NO	A	SD259601PS			
EATON FILTRATION, LLC 44 APPLE ST. TINTON FALLS, NEW JERSEY 07724 U.S.A.		NAME 12" [300] MODEL 2596 AUTOMATIC STRAINER - FABRICATED STAINLESS STEEL - QUAD SEAL					