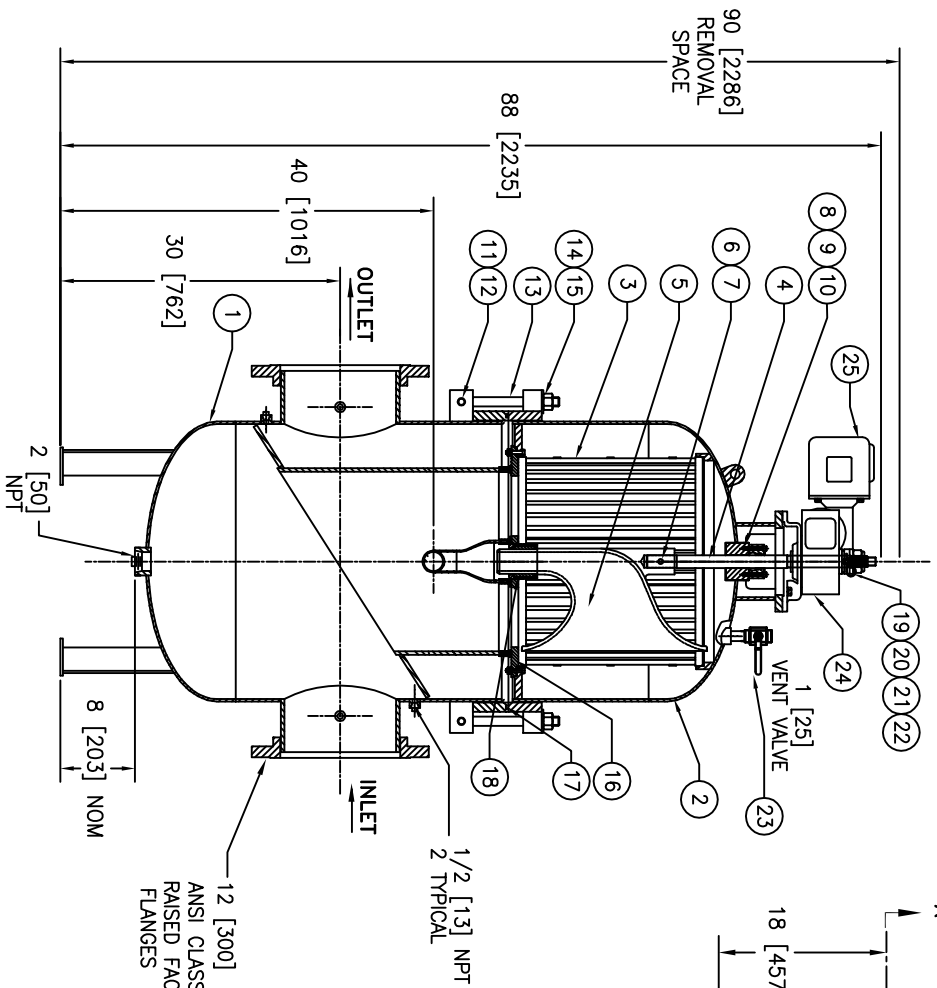
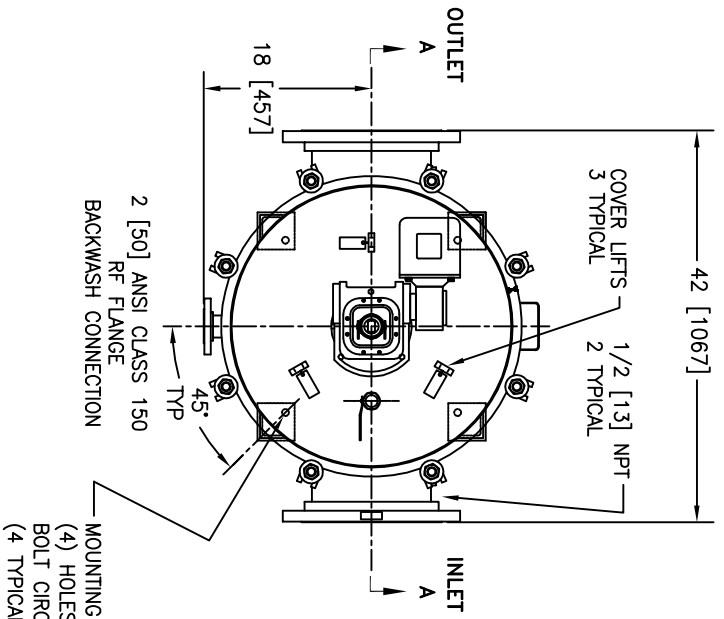


NO.	PART NAME	MATERIAL
1	BODY	CARBON STEEL
2	COVER	CARBON STEEL
3	STRAINING ELEMENT	316 STAINLESS STEEL
4	BACKWASH SHAFT	STAINLESS STEEL
5	BACKWASH ARM	DUCTILE IRON
6	B/W ARM NUT	STAINLESS STEEL
7	B/W ARM DRIVE PIN	STAINLESS STEEL
8	BEARING HOUSING	STAINLESS STEEL
9	QUAD SEAL	BRUNA
10	PILOT PACKING BUSHING	COMPOSITE
11	EYE BOLT PIN	CARBON STL ZINC PL.
12	RETAINING RING	CARBON STL ZINC PL.
13	EYE BOLT	CARBON STL ZINC PL.
14,15	HEX NUT WASHER	CARBON STL ZINC PL.
16	LOWER SUPPORT RING	CARBON STEEL
17	GIRTH O-RING	NITRILE
18	LOWER BUSHING	COMPOSITE
19	SHAFT DRIVE PIN	STAINLESS STEEL
20	COTTER PIN	STAINLESS STEEL
21,22	STOP NUT, SPACER	CARBON STEEL
23	VENT VALVE, NIPPLE	STAINLESS STEEL
24	GEAR REDUCER	CAST IRON
25	MOTOR	1/4 HP



SECTION A-A

ANSI CLASS 150
RAISED FACE LINE
FLANGES

1/2 [13] NPT
2 TYPICAL

- NOTES:
1. ALL DIMENSIONS ARE INCH [MM].
 2. FOR REPLACEMENT PARTS, MODEL NO., SIZE & SERIAL NO. FROM THE STRAINER NAMEPLATE MUST BE FURNISHED.
 3. DESIGN PRESSURE: 150 PSI @ 150°F [10.3 BARS @ 65.5°C]
 4. INTERNAL COATING: NONE
 5. EXTERNAL COATING: PER ES-309
 6. WEIGHTS: DRY 1300 LBS. COVER 700 LBS. FLOODED 2700 LBS. [DRY 590 KGS. COVER 318 KGS. FLOODED 1225 KGS]
 7. PART NO.: 25961202200P
- CERTIFIED FOR:
QUOTE NO.:
P.O. NO.:
S.O. NO.:
NO. OF STRAINERS:
STRAINING ELEMENT:

ELECTRONIC FILE NAME: SD259601P.DWG
DATE 10/7/13
UNAUTHORIZED USE, MANUFACTURE OR REPRODUCTION IN WHOLE OR IN PART IS PROHIBITED. DRAWING, DESIGN AND OTHER DISCLOSURES PROPERTY OF EATON FILTRATION, LLC

		DATE 02/15/02		CERT. FM	DATE 02/15/02	
		SIZE VAA	DWG NO		REV	
EATON FILTRATION, LLC 44 APPLE ST. TINTON FALLS, NEW JERSEY 07724 U.S.A. 12" [300] MODEL 2596 AUTOMATIC STRAINER - FABRICATED CARBON STEEL - QUAD SEAL		DRAWN		DATE		REV
SD259601P		A		D		