

## Magnetically Coupled Strainer

# High Flow MCS-1500

Mechanically  
Cleaned  
Permanent  
Media

## Environmentally Sustainable Design

*Eaton's MCS-1500 is perfect for high-capacity straining needs. Its magnetically coupled actuation eliminates the need for dynamic seals. This technology provides quick and easy access for maintenance, reduces potential leaks, and requires few moving parts while providing a long service life.*



### FEATURES

- No dynamic seals
- Minimal purge for low waste operation
- Easy in-line installation
- Continuous 24/7 operation
- Maintenance-friendly design means lower labor costs
- Eco-friendly. No bags to purchase, change, or landfill
- 316 stainless steel vessel

### OPTIONS

- Multi-station configuration
- EPT/EPDM or FPM (Viton®)
- Advanced programmable microprocessors
- ASME Code units
- Automatic pressure transmitters
- Purge welding
- High pressure units
- Air bleed capability
- 304 stainless steel controller enclosure
- Gauge port: 1/4"

The MCS-Series is engineered to conserve valuable process water while protecting costly equipment from debris. It offers minimal purge volumes in fresh water applications, allowing you to save on the cost of make up liquids, chemical treatment and heating energy.

Featuring fast cleaning magnetically coupled actuation, this design offers an optimized configuration to help improve and reduce costly maintenance and downtime. In addition, this actuation method eliminates the need for cover thru-holes and their associated seals.

### TYPICAL APPLICATIONS

- paper coatings • pcc/gcc slurries • phenolic resins • petroleum based greases • ethanol processing
- cip fluids (sodium hydroxide) • hot fry oils • starch • lime slurries • curtain coaters • nutraceuticals
- machining coolants • adhesives • paint • ink • chocolate • edible oils • detergents • tallow

# EATON

Powering Business Worldwide



The actuation piston and cleaning disc are coupled by powerful rare earth magnets—a simple design that delivers tremendous benefits by eliminating the need for shaft or external drive seals.

# MCS-1500 High Flow Magnetically Coupled Strainer

## HIGH FLOW MCS-1500 SPECIFICATIONS

Approx Weight	775 lbs (352 kg)
Service Height	102 in (2,591 mm)
Flow Rate Range at 100µm	1,100 gpm (250 m³/h)
Flow Rate, max.	1,500 gpm (340 m³/h)
Operating Temperature, max.	180 °F (82 °C)
Operating Pressure	30-150 psi (2-10.5 bar)
Viscosity	Water/water-like fluids
Standard Retention*	150-1,100 microns
Vessel Material	316 Stainless Steel
Elastomers	EPT/EPDM or FPM (Viton®)
Process Connections	8 in 150# Flanged / DN 200 Flanged
Purge Connection	2 in NPT / 2 in BSPT
Air for Actuator Drive (clean dry non lubricated air)	80 psi (5.5 bar) min. - 116 psi (8 bar) max. 5.0 cfm (141.5 l/min)
Electrical for Controllers	115 VAC or 230 VAC 50/60 Hz
Semi-Auto Voltage	24 VAC, 115 VAC, 230 VAC 24 VDC 115/230 VAC

\*Tighter retentions available. Please call for more information.



Up to eight MCS units can be configured into a multiplex system for high volume requirements.

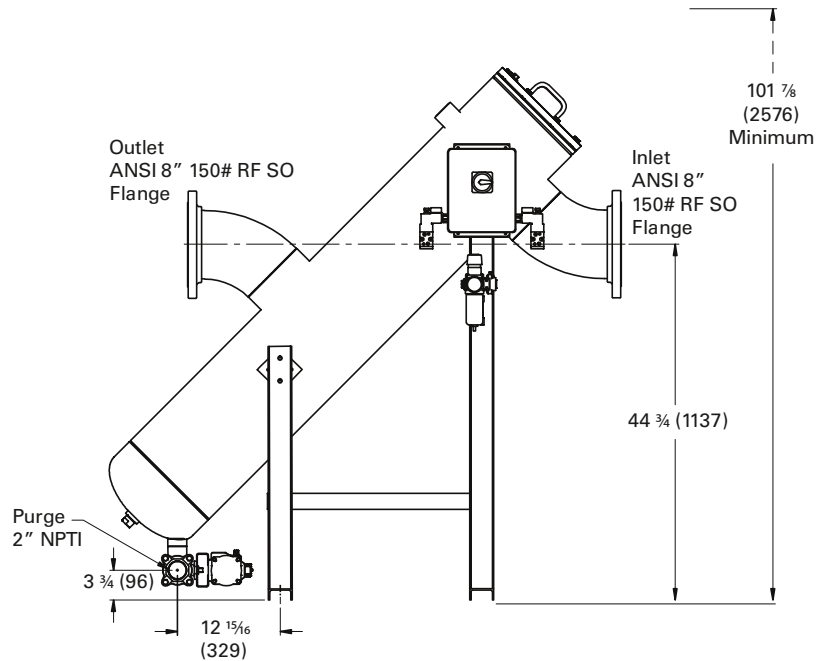
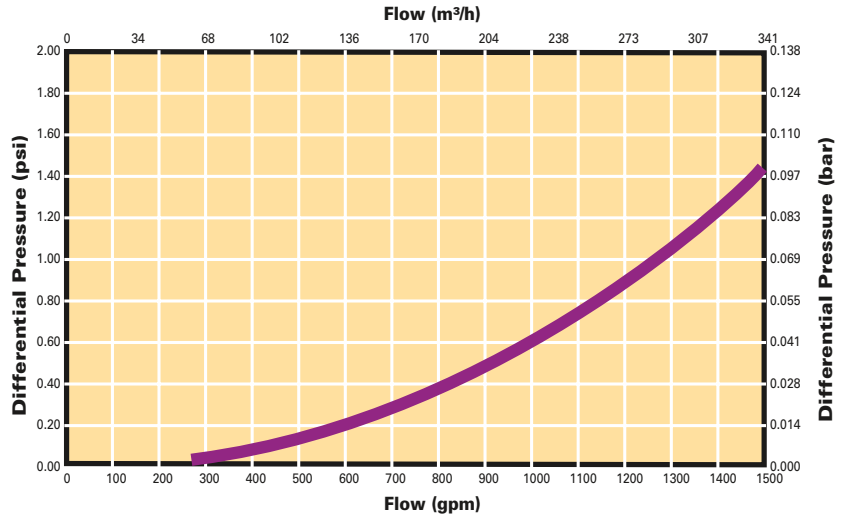
## Slotted Wedge Wire Strainer Element Options

Inch	Micron	Mesh	% Open Area
.002	50	325	6
.003	75	200	9
.004	100	150	12
.006	150	100	17
.007	180	80	19
.008	200	70	21
.009	230	60	23
.015	380	40	33
.024	600	30	44
.030	700	20	50
.045	1140	15	60



Additional retentions available, consult Eaton.

## MCS-1500 Flow Rates



Viton® is a registered trademark of E. I. du Pont de Nemours and company.

**North America**  
44 Apple Street  
Tinton Falls, NJ 07724  
Toll Free: 800 656-3344  
(North America only)  
Tel: +1 732 212-4700

**China**  
No. 3, Lane 280,  
Linhong Road  
Changning District, 200335  
Shanghai, P.R. China  
Tel: +86 21 5200-0099

**Europe/Africa/Middle East**  
Auf der Heide 2  
53947 Nettersheim, Germany  
Tel: +49 2486 809-0

**Singapore**  
100G Pasir Panjang Road #07-08  
Singapore 118523  
Tel: +65 6825-1668

Friedensstraße 41  
68804 Altlußheim, Germany  
Tel: +49 6205 2094-0  
An den Nahewiesen 24  
55450 Langenlonsheim, Germany  
Tel: +49 6704 204-0

**Brazil**  
Av. Ermano Marchetti, 1435 -  
Água Branca, São Paulo - SP,  
05038-001, Brazil  
Tel: +55 11 3616-8461



For more information, please  
email us at [filtration@eaton.com](mailto:filtration@eaton.com)  
or visit [www.eaton.com/filtration](http://www.eaton.com/filtration)

© 2020 Eaton. All rights reserved. All trademarks and registered trademarks are the property of their respective owners. All information and recommendations appearing in this brochure concerning the use of products described herein are based on tests believed to be reliable. However, it is the user's responsibility to determine the suitability for his own use of such products. Since the actual use by others is beyond our control, no guarantee, expressed or implied, is made by Eaton as to the effects of such use or the results to be obtained. Eaton assumes no liability arising out of the use by others of such products. Nor is the information herein to be construed as absolutely complete, since additional information may be necessary or desirable when particular or exceptional conditions or circumstances exist or because of applicable laws or government regulations.

US  
12-2020