



DO NOT SCALE DRAWING
THIRD ANGLE PROJECTION

DEFINED PORE ELEMENT SIZES (16)		
P/N	RETENTION	MICRON
63069	0.001"	25
63090	0.0015"	38
63076	0.002"	50
63048	0.003"	75
63049	0.004"	100
63050	0.006"	150
63051	0.009"	230
63052	0.015"	380
63053	0.024"	610
63054	0.030"	760
63055	0.045"	1140

SLOTTED ELEMENT SIZES (16)		
P/N	RETENTION	MICRON
42631	0.0006"	15
42632	0.001"	25
42633	0.0015"	38
42634	0.002"	50
42635	0.003"	75
42636	0.004"	100
42637	0.006"	150
47332	0.007"	175
42652	0.008"	200
42637	0.009"	230
42638	0.013"	380
47341	0.024"	610
42653	0.030"	750
47331	0.045"	1125

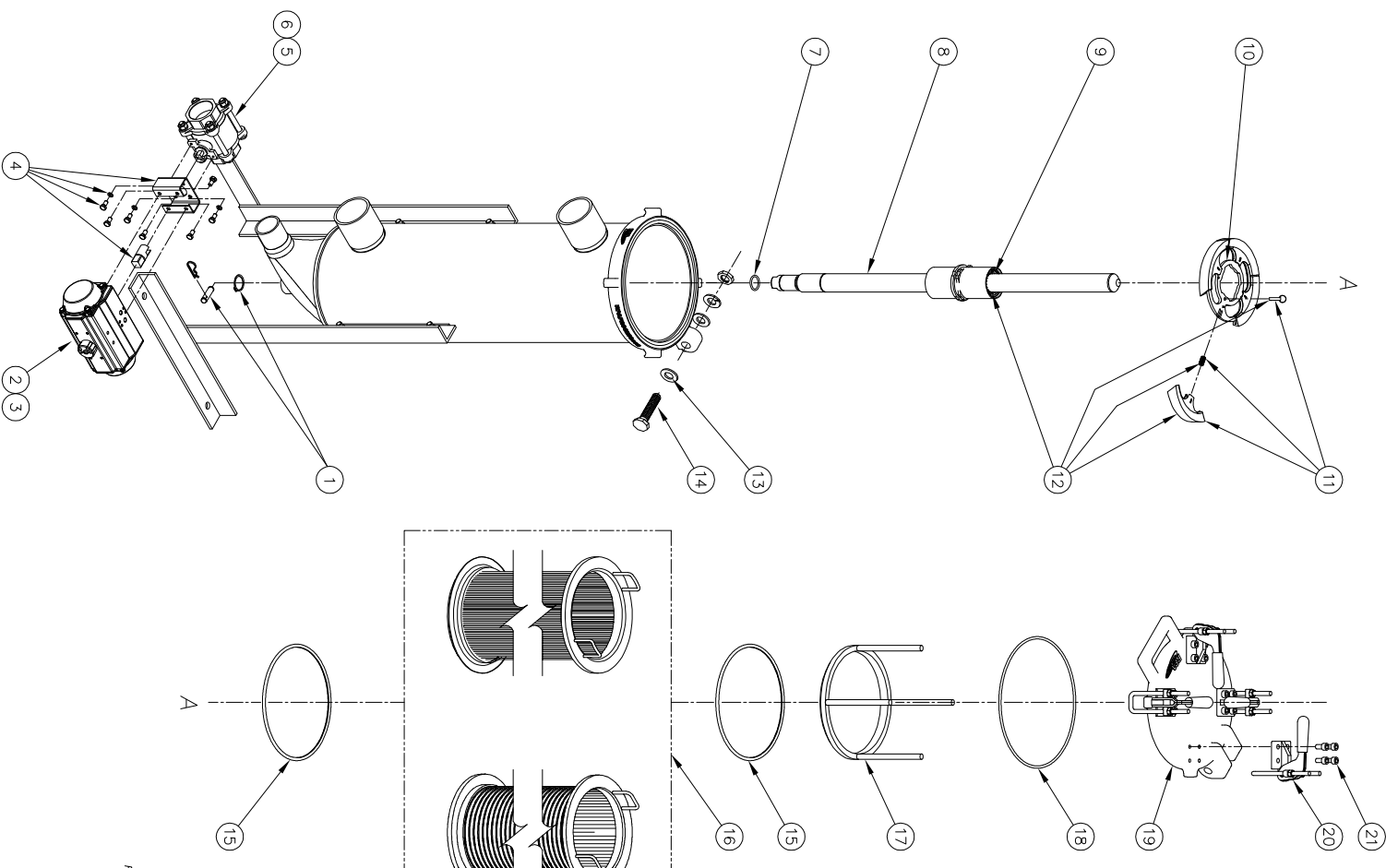
PERFORATED ELEMENT SIZES (16)		
P/N	RETENTION	MICRON
42650	0.062"	1550
47330	0.125"	3125
42861	0.250"	6250

WEAR PARTS			
MATL	DISC (11)	KIT (12)	KIT (9)
OKRO/MTON	X	40172	40148
OKRO/EPF	X	40173	40149
DELFIN	40116-DEL	40137-DEL	40107

(11) INCLUDES: 4 BLADES, 4 SPRINGS, 1 PIN, AND INSTRUCTIONS
 (12) INCLUDES: 2 BEARING ASSEMBLIES, 2 SNAP RINGS, 2 SCREWS, 4 BLADES, 4 SPRINGS, 1 PIN AND INSTRUCTIONS
 (9) INCLUDES: 2 BEARING ASSEMBLIES, 2 SNAP RINGS, 2 SCREWS AND INSTRUCTIONS

O-RINGS			
MATL	LID (18)	ELEMENT (15)	ACT. RETL. (7)
MTON	40140-VIT	42626	40126-VIT
EPDM	40140-EPT	42627	40126-EPT

IF THE UNIT IS OLDER THAN FEBRUARY OF 2004 (OR WITH SERIAL NUMBER 396295 OR OLDER), USE PART NUMBERS 40125-VIT OR 40125-EPT FOR ITEM 18.



QTY	PART NO./DIM	PART DESCRIPTION
26	1	40120 LID, MACHINED SWING BOLT
25	8	P-30210-SS2 RETAINING RING, 3100--50--SS2
24	4	M-43823-SS4 NUT, 1/8 FLTR 5/8-11UNC-28 HP
23	4	40133 PIN, CLEVIS 2-1/4 X 1/2 SS4
22	4	R0D END, 5/8-11UNC-2A HP SS4

SWING BOLT LID OPTION

23	2	P-10652-SS6 WASHER, 5/8" FLAT
22	1	40112 WASHER, 5/8" LOCK 304SS
21	16	40124 SCREW, 3/8-16 X 3/4 304HDP SS
20	4	40112 CLAMP, LID
19	1	40101 LID, MACHINED CLAMP
18	1	SEE CHART LID O-RING
17	1	42626 COMPRESSOR ASSEMBLY
16	1	SEE CHART FILTER ELEMENT
15	2	SEE CHART ELEMENT O-RING
14	1	P-10801-SS6 NUT, 5/8"-11 HEX
13	1	40181 BOLT, 5/8-11 X 4 HEX 304SS
12	1	SEE CHART WEAR PARTS ASSEMBLY
11	1	SEE CHART DISC BLADE ASSEMBLY
10	1	40117 PLATE, 4 BLADE CLN DISC MCF
9	1	SEE CHART MCF BEARINGS SNAP RINGS SCREWS
8	1	40106 ACTUATOR, MAGNETIC ASSEMBLY
7	1	SEE CHART O-RING, ACT RETAINING MCF
6	1	41006 KIT, REPAIR 2.0" ZW BY PARKER
5	1	41009 VALVE/B 2" F/PT 3FC THD PARKER
4	1	42756 KIT, 2" PURGE HARDWARE
3	1	60179 KIT, REPAIR FOR 60178 ACTUATOR
2	1	45475 ACT ROTARY, JAMESBURY OOF
1	1	40127 SNAP RING, ACT. RETL. 1-3/8 EXT
1	1	40144 PIN, CLEVIS AND HAIRPIN MCF

FOR UNITS SHIPPED PRIOR SEPTEMBER 2004
 FOR UNITS SHIPPED SEPTEMBER 2004 AND AFTER

FOR THE MCF REPLACEMENT PARTS

ENGINEERING APPROVAL	DESIGN BY	SCALE	DRAWING SPECIFICATION
S. COVENSOLI	S. COVENSOLI	NONE	
DATE	SIZE	REV	
10/17/03	C	B	

MCF REPLACEMENT PARTS

REVISIONS