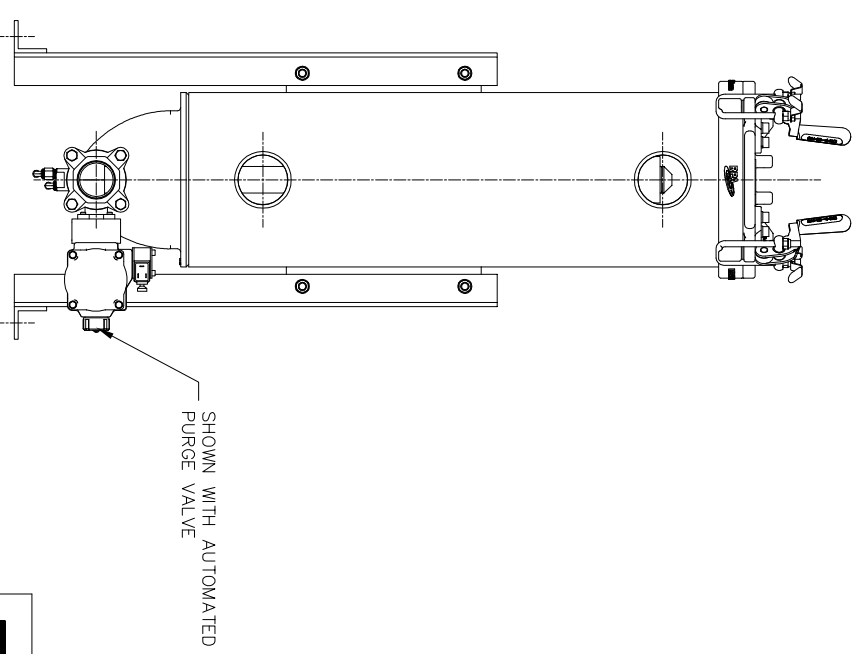
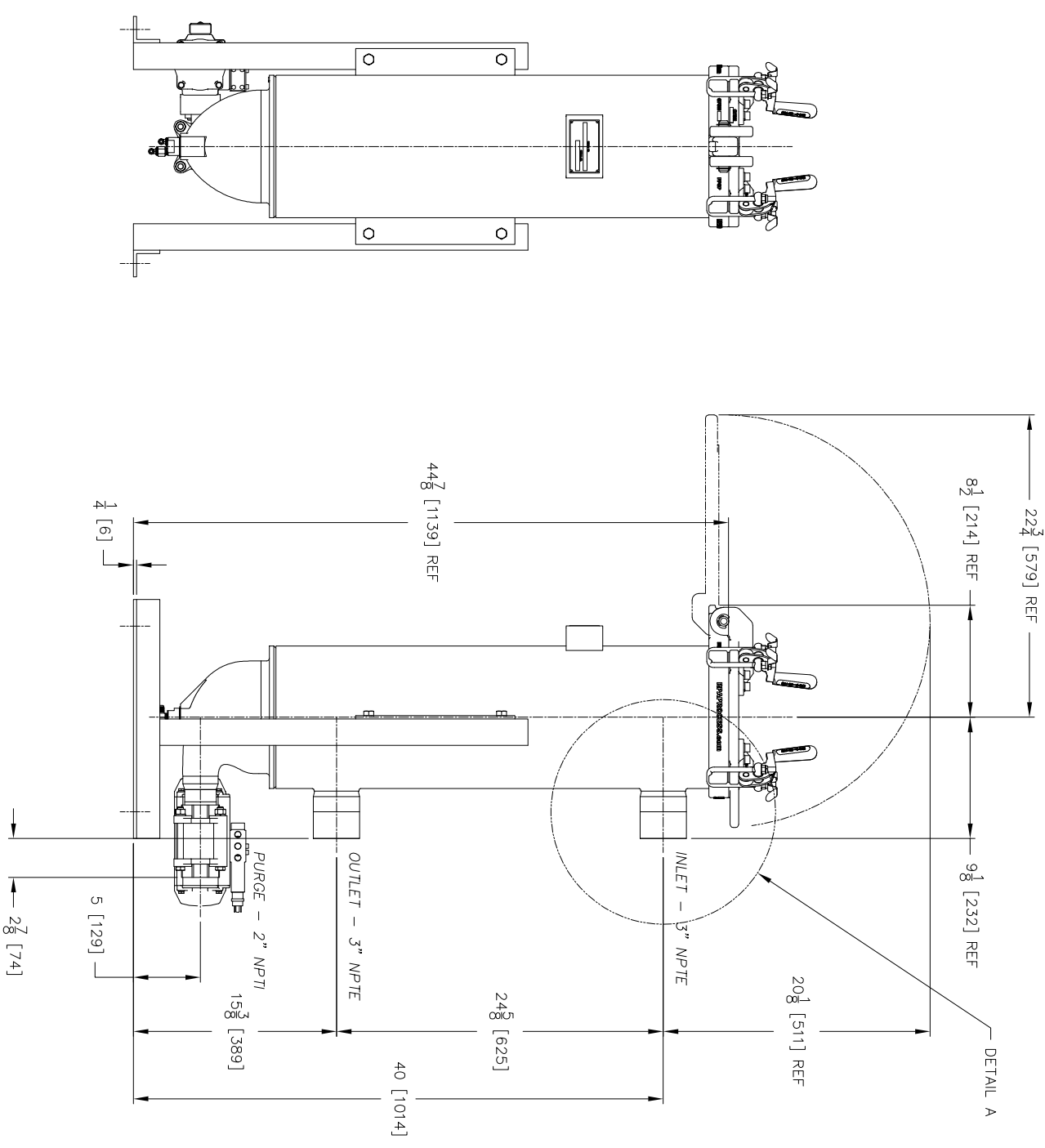
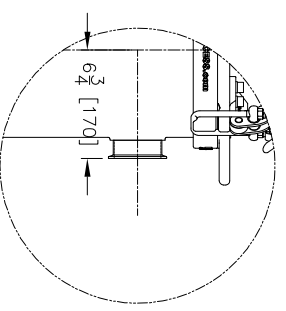
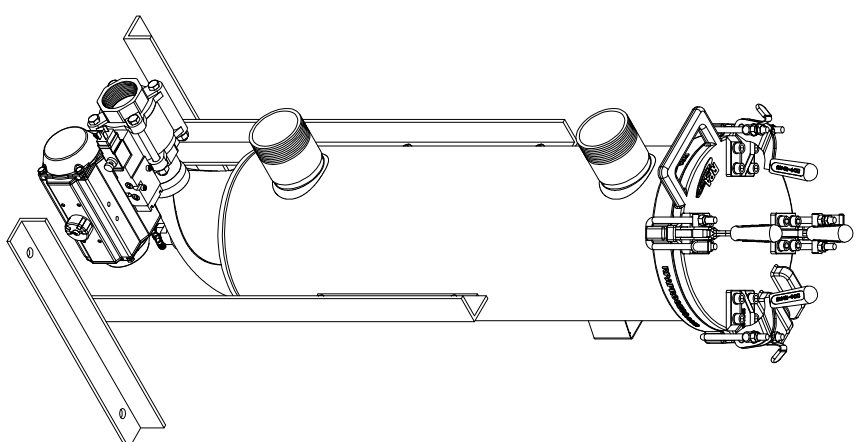
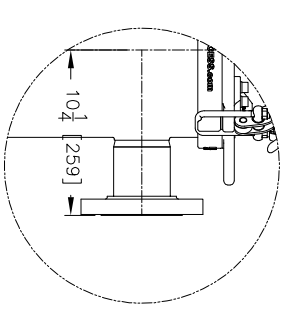
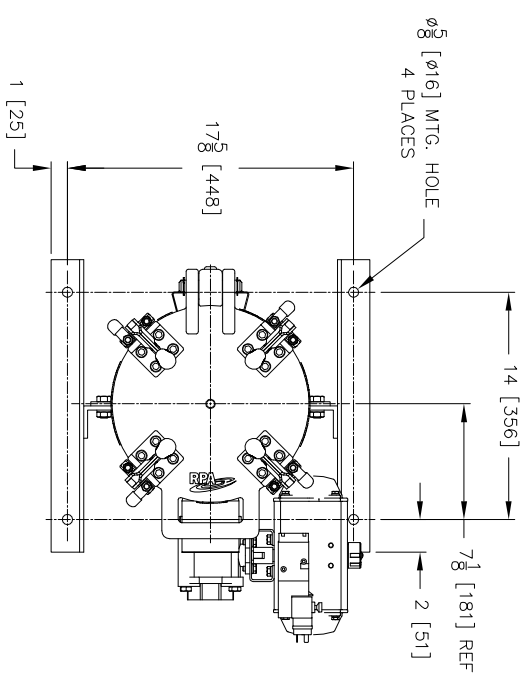


THIRD ANGLE PROJECTION



- NOTES
1. ALL DIMENSIONS ARE SHOWN IN INCHES WITH MILLIMETER EQUIVALENTS IN BRACKETS.
 2. 1/4" NPTI GAUGE PORTS ON THE INLET AND OUTLET ARE OPTIONAL.
 3. SERVICE REQUIREMENTS:
AIR PRESSURE: 60 PSI [4.1 BAR] MINIMUM AT 5 CFM [141.5 L/min]. CLEAN, DRY, NON-LUBRICATED AIR.
DESIGN CONDITIONS:
MAXIMUM WORKING PRESSURE: 150 PSI [10.3 BAR]
MINIMUM WORKING PRESSURE: 30 PSI [2.1 BAR]
MAXIMUM DIFFERENTIAL PRESSURE: 110 PSID [7.6 BAR] FOR SLOTTED AND PERFORATED ELEMENTS, 50 PSID [3.4 BAR] FOR DEFINED PORE ELEMENTS.
 - 4.



EATON FILTRATION
DESIGN CENTER
ISELIN, NEW JERSEY, USA
PORTAGE, MICHIGAN, USA

THIS DRAWING AND ALL INFORMATION HEREON IS THE PROPERTY OF EATON. IT IS TO BE KEPT CONFIDENTIAL AND NOT TO BE REPRODUCED, COPIED, OR PUBLIC OR COPIED IN WHOLE OR IN PART WITHOUT THE EXPRESS WRITTEN PERMISSION OF EATON. THIS DRAWING IS LOANED SUBJECT TO RETURN ON DEMAND AND IS NOT TO BE REPRODUCED OR TRANSMITTED IN ANY MANNER DETRIMENTAL TO THE INTERESTS OF EATON FILTRATION, LLC.

ENGINEERING APPROVAL
SALES/MKTG APPROVAL

DRAWN BY
SCALE
NONE

TITLE
MAGNETICALLY CARRIED, DISC CLEANED
FILTER

DATE	SIZE	DWG FILENAME	REV
05/26/05	B	MCF-824-SNG-GA000	A
ENGINEERING SPECIFICATION			