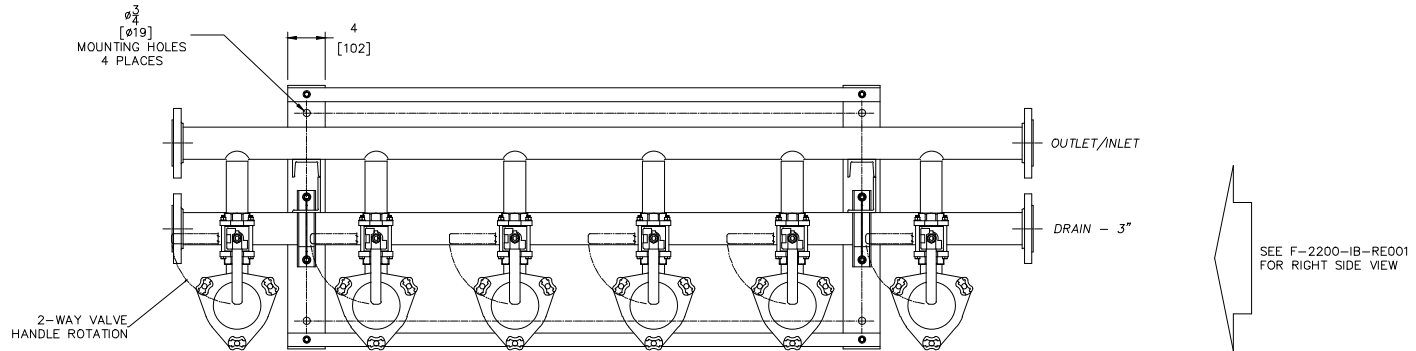



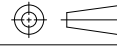
REVISIONS				
REV	DESCRIPTION	BY	ECO	DATE
A	FOR RELEASE	M. DESJARDINS	0219110	5/13/2005
B	UPDATED TITLE BLOCK AND BORDER	NISHANT S.	0226085	9/23/2022



FOR DIMENSION TABLES SEE F-2200-IB-DT001

SEE F-2200-IB-CA001 FOR FRONT VIEW

- NOTES:
- ALL FLANGED PROCESS CONNECTIONS ARE LAP JOINT TYPE, ZINC PLATED CARBON STEEL.
 - PROCESS FLANGE CONNECTIONS ARE DRILLED TO ANSI, CLASS 150 OR DIN ND16.
 - HEADERS MAY BE PIPED AT EITHER END; BLIND FLANGES (PURCHASER SUPPLIED) REQUIRED FOR OPPOSITE END.
 - ALL METALLIC WETTED PARTS ARE 316 STAINLESS STEEL.
 - ALL DIMENSIONS ARE IN INCHES WITH METRIC EQUIVALENTS IN BRACKETS [].
 - FILTER ELEMENTS ARE DESIGNED TO WITHSTAND 150 PSI [10.3 BAR] DIFFERENTIAL PRESSURE.
 - DESIGN PRESSURE IS 250 PSI (17.24 BAR). HYDROSTATIC TEST PRESSURE IS 325 PSI (22.4 BAR).
 - EXTERIOR FINISH:
TOP COAT: 1 MIL MINIMUM.
COLOR: SILVER.

DRAWN BY M. DESJARDINS		 EATON FILTRATION, LLC DESIGN CENTER			
SCALE AS DRAWN					
RESTRICTION RESTRICTED		TITLE F-2200 INTERNAL BACKWASH FILTER INLINE FLOOR PLAN			
SHEET 1 OF 1					
PROJECTION THIRD ANGLE		DATE 05/13/05	SIZE A	DWG FILENAME F-2200-IB-FP001	REV B
<small>EATON CORPORATION - CONFIDENTIAL AND PROPRIETARY NOTICE TO PERSONS RECEIVING THIS DRAWING AND/OR TECHNICAL INFORMATION THIS DOCUMENT, INCLUDING THE DRAWING AND INFORMATION CONTAINED THEREON IS CONFIDENTIAL AND IS THE EXCLUSIVE PROPERTY OF EATON AT ANY TIME. BY TAKING THE POSSESSION OF THIS DOCUMENT THE RECIPIENT ACKNOWLEDGES AND AGREES THAT THIS DOCUMENT CANNOT BE USED IN ANY MANNER ADVERSE TO THE INTEREST OF EATON AND THAT NO PORTION OF THIS DRAWING MAY BE COPIED OR OTHERWISE REPRODUCED WITHOUT THE PRIOR WRITTEN CONSENT OF EATON, IN THE CASE OF CONFLICTING CONTRACTUAL PROVISIONS, THIS NOTICE SHALL GOVERN THE STATUS OF THIS DOCUMENT. 2022 EATON CORPORATION - ALL RIGHTS RESERVED.</small>					