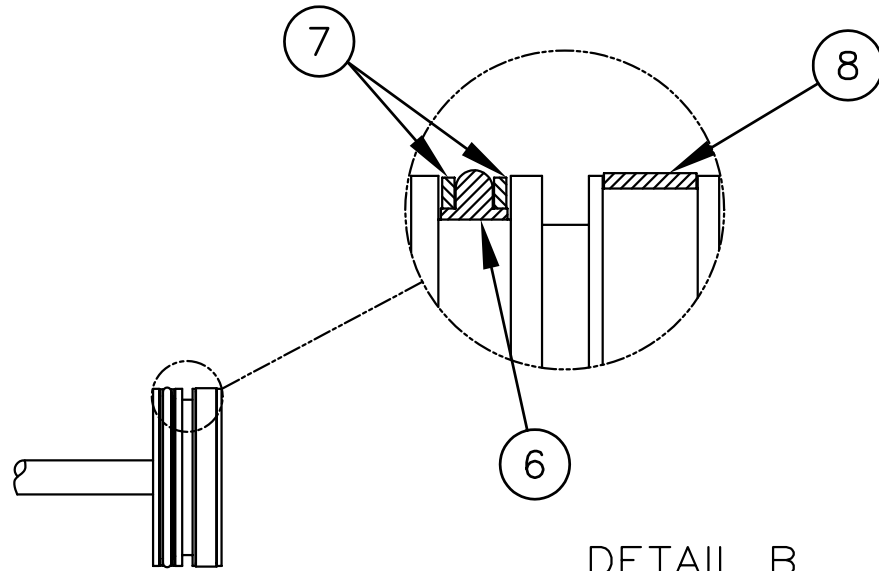
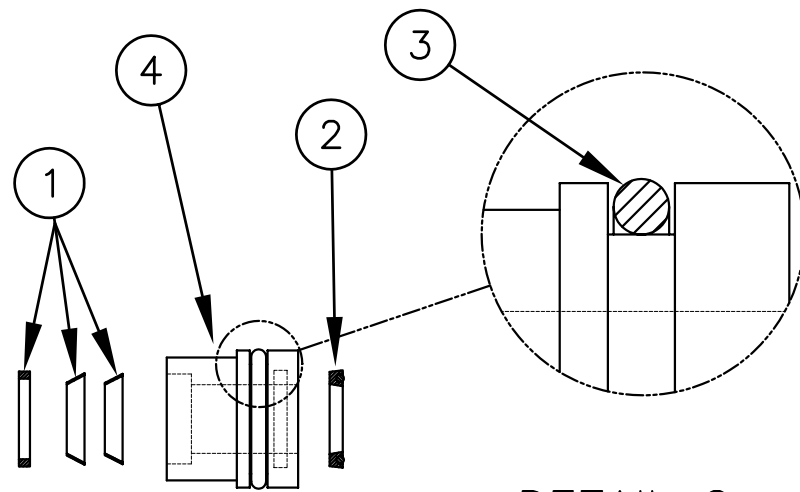


DETAIL A
ACTUATOR ASSEMBLED

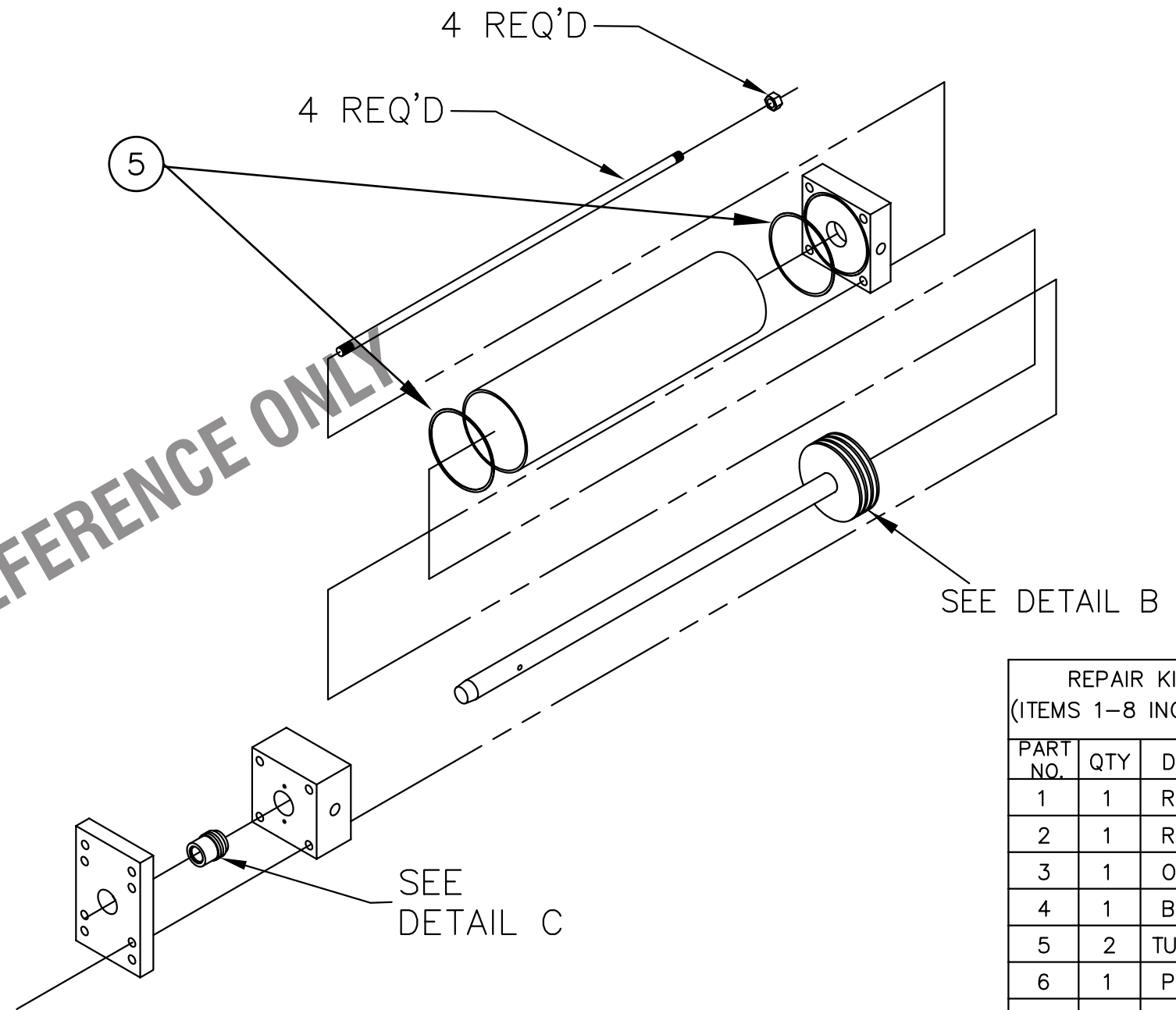


DETAIL B



DETAIL C

REFERENCE ONLY



REPAIR KIT- 46724 (ITEMS 1-8 INCLUDED IN KIT)		
PART NO.	QTY	DESCRIPTION
1	1	ROD WIPER
2	1	ROD SEAL
3	1	O'RING SEAL
4	1	BUSHING
5	2	TUBE END SEALS
6	1	PISTON SEAL
7	2	BACK-UP RING
8	1	WEAR BAND

		EATON FILTRATION, LLC RONNINGEN-PETTER PRODUCTS 9151 SHAVER ROAD PORTAGE, MICHIGAN 49024-6798 USA		THIS DRAWING AND ALL INFORMATION THEREON IS THE PROPERTY OF EATON CORPORATION. IT IS CONFIDENTIAL AND MUST NOT BE MADE PUBLIC. THIS DRAWING IS LOANED SUBJECT TO RETURN ON DEMAND, AND IS NOT TO BE USED DIRECTLY OR INDIRECTLY IN ANY WAY DETRIMENTAL TO THE INTERESTS OF EATON FILTRATION, LLC.	
DRAWN BY S. FULCHER		TITLE ACTUATOR, 3-1/4" DCF-800			
SCALE NONE		DATE	SIZE	DWG FILENAME	REV
ENGINEERING SPECIFICATION		09/14/01	B	DCF-800-SNG-PA001	A