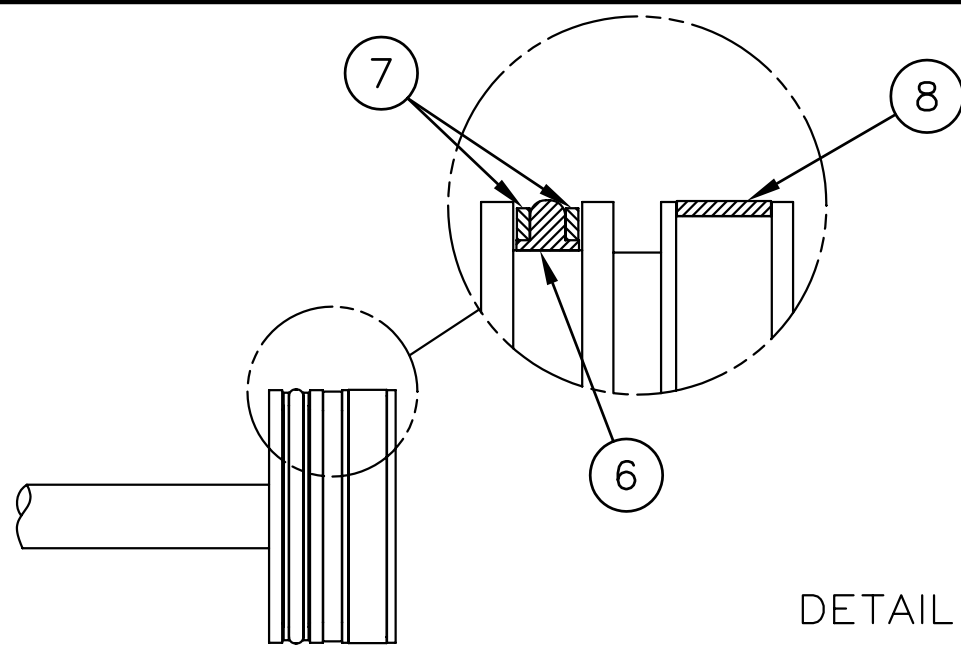
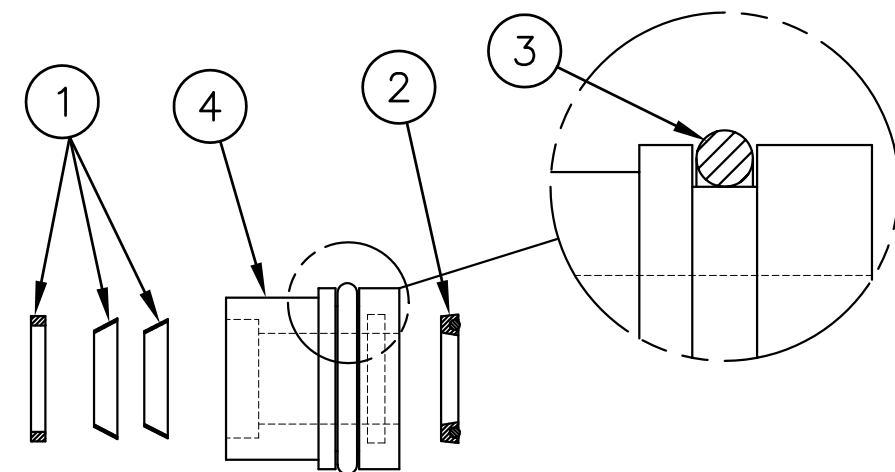


DETAIL A
ACTUATOR ASSEMBLED

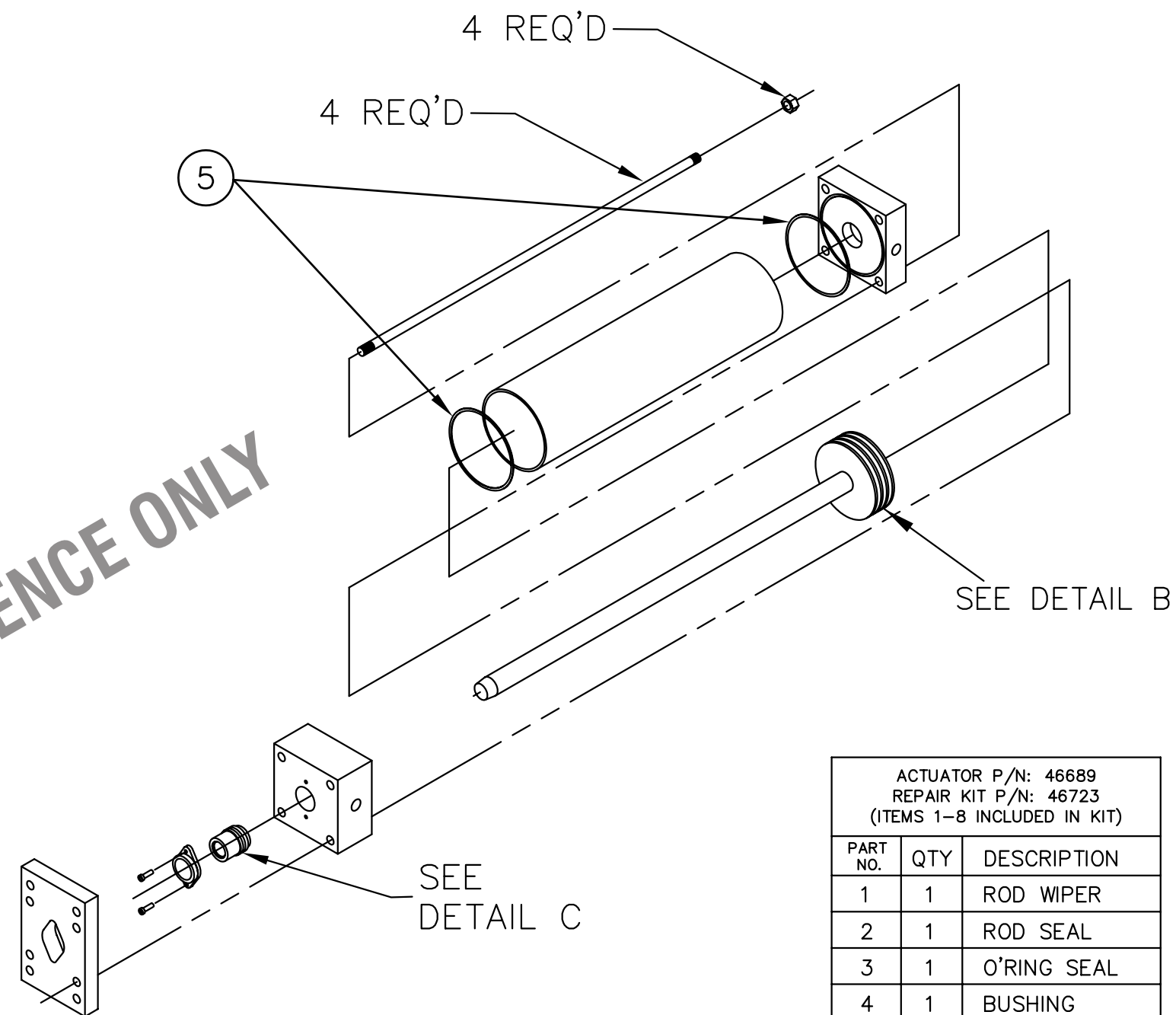


DETAIL B



DETAIL C

REFERENCE ONLY



ACTUATOR P/N: 46689
REPAIR KIT P/N: 46723
(ITEMS 1-8 INCLUDED IN KIT)

PART NO.	QTY	DESCRIPTION
1	1	ROD WIPER
2	1	ROD SEAL
3	1	O'RING SEAL
4	1	BUSHING
5	2	TUBE END SEALS
6	1	PISTON SEAL
7	2	BACK-UP RING
8	1	WEAR BAND



EATON FILTRATION, LLC
RONNINGEN-PETTER PRODUCTS
9151 SHAVER ROAD
PORTAGE, MICHIGAN 49024-6798 USA

THIS DRAWING AND ALL INFORMATION THEREON IS THE PROPERTY OF EATON CORPORATION. IT IS CONFIDENTIAL AND MUST NOT BE MADE PUBLIC. THIS DRAWING IS LOANED SUBJECT TO RETURN ON DEMAND, AND IS NOT TO BE USED DIRECTLY OR INDIRECTLY, IN ANY WAY DETRIMENTAL TO THE INTERESTS OF EATON FILTRATION, LLC.

DRAWN BY B. STUCK SCALE NONE ENGINEERING SPECIFICATION	TITLE ACTUATOR, 2-1/2" DCF-400	DATE 02/09/06	SIZE B	DWG FILENAME DCF-400-SNG-PA002	REV A
--	--------------------------------------	------------------	-----------	-----------------------------------	----------