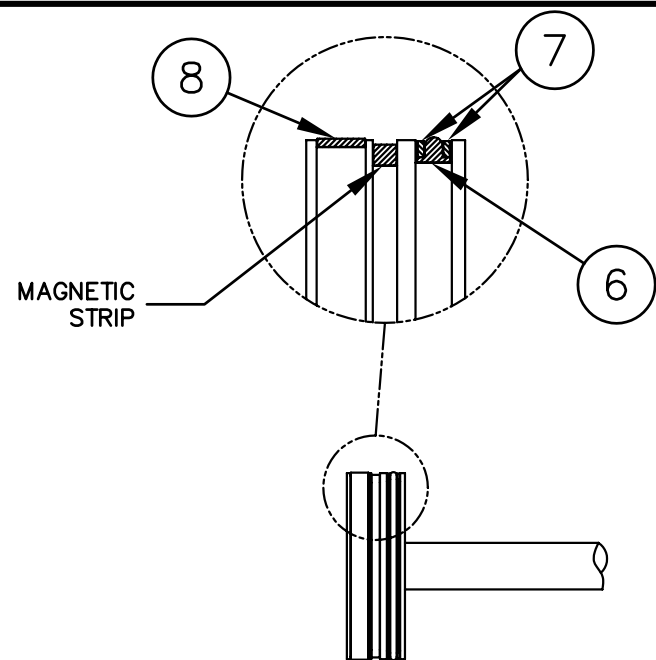
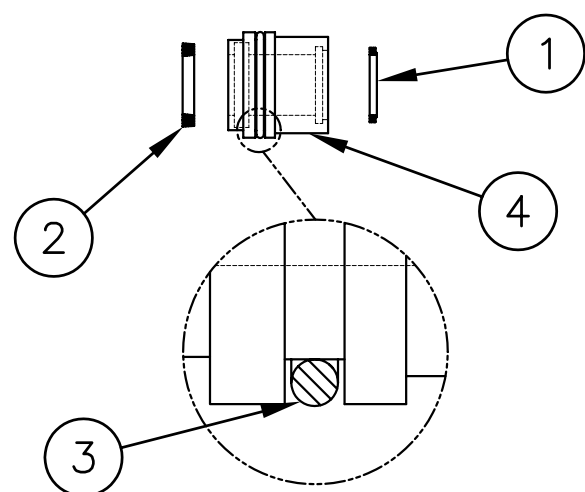


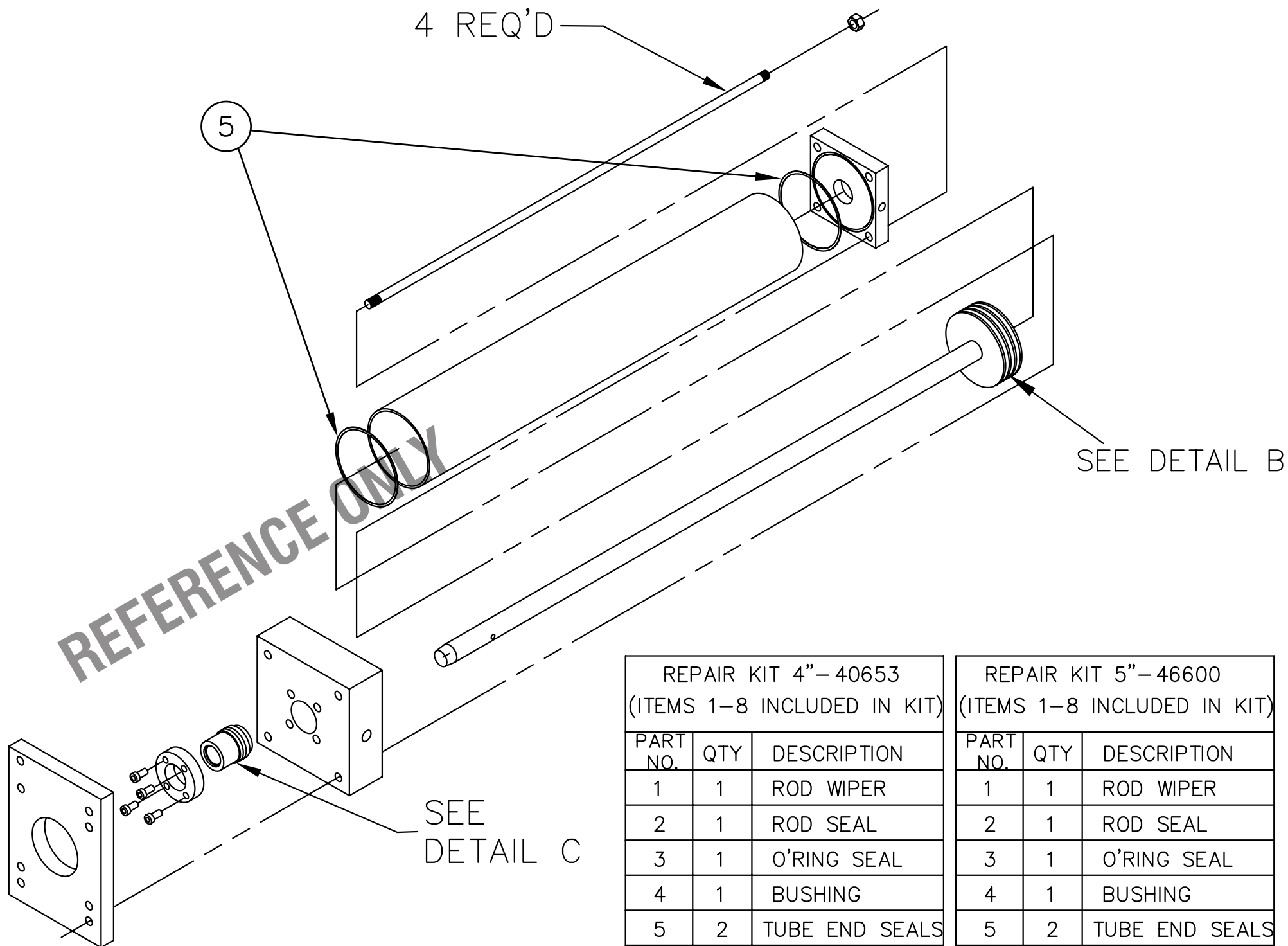
DETAIL A  
ACTUATOR ASSEMBLED



DETAIL B  
PISTON SEALS



DETAIL C



REPAIR KIT 4"-40653  
(ITEMS 1-8 INCLUDED IN KIT)

PART NO.	QTY	DESCRIPTION
1	1	ROD WIPER
2	1	ROD SEAL
3	1	O'RING SEAL
4	1	BUSHING
5	2	TUBE END SEALS
6	1	PISTON SEAL
7	2	BACK-UP RING
8	1	WEAR BAND

REPAIR KIT 5"-46600  
(ITEMS 1-8 INCLUDED IN KIT)

PART NO.	QTY	DESCRIPTION
1	1	ROD WIPER
2	1	ROD SEAL
3	1	O'RING SEAL
4	1	BUSHING
5	2	TUBE END SEALS
6	1	PISTON SEAL
7	2	BACK-UP RING
8	1	WEAR BAND

<b>EATON</b> EATON FILTRATION, LLC RONNINGEN-PETTER PRODUCTS 9151 SHAVER ROAD PORTAGE, MICHIGAN 49024-6798 USA		THIS DRAWING AND ALL INFORMATION THEREON IS THE PROPERTY OF EATON CORPORATION. IT IS CONFIDENTIAL AND MUST NOT BE MADE PUBLIC. THIS DRAWING IS LOANED SUBJECT TO RETURN ON DEMAND, AND IS NOT TO BE USED DIRECTLY OR INDIRECTLY, IN ANY WAY DETRIMENTAL TO THE INTERESTS OF EATON FILTRATION, LLC.	
DRAWN BY S. FULCHER	TITLE ACTUATOR, 4"/5" DCF-1600		
SCALE NONE	DATE 09/07/01	SIZE B	DWG FILENAME DCF-1600-SNG-PA001
ENGINEERING SPECIFICATION			REV A