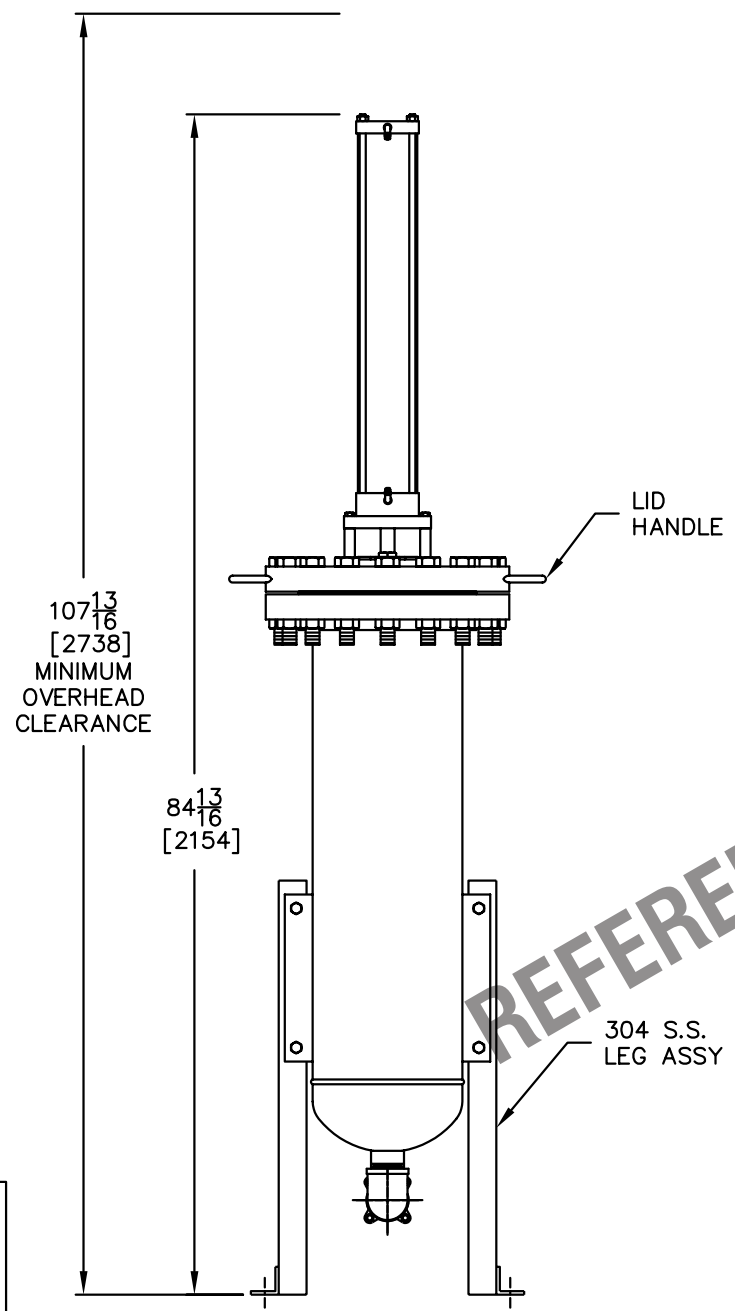


FILTER UNIT STAND FOUNDATION PLAN

DESIGN CONDITIONS

PRESSURE: 300 PSIG [20.7 BAR]  
 TEMPERATURE: MAX 250° F [120° C], MIN -20° F [-29° C]  
 HYDROSTATIC TEST PRESSURE: 390 PSIG [26.9 BAR]

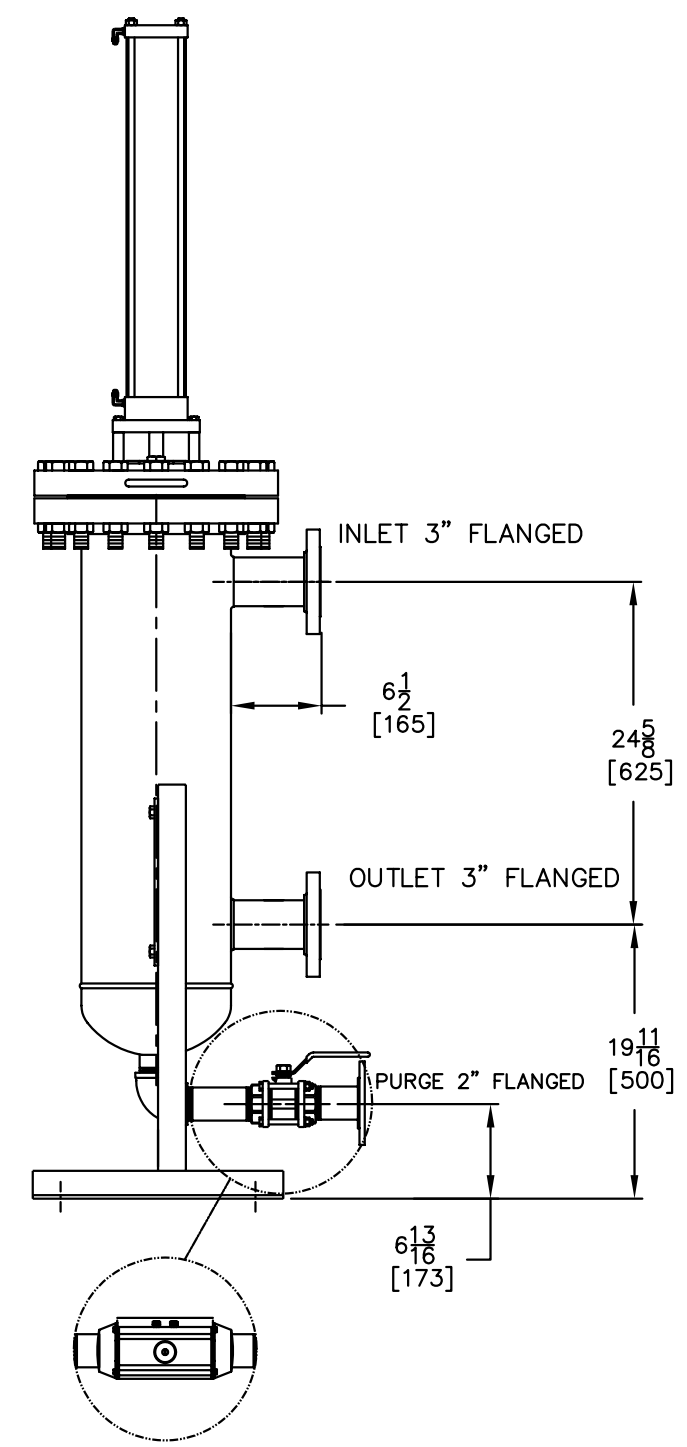
VESSEL SATISFIES ALL REQUIREMENTS OF UHA-51 FOR EXEMPTION OF IMPACT TESTING



LID HANDLE

304 S.S. LEG ASSY

REFERENCE ONLY



AUTOMATIC PURGE VALVE OPTION

- NOTES:
1. ALL DIMENSIONS SHOWN IN INCHES, WITH MILLIMETER EQUIVALENTS IN BRACKETS [ ].
  2. FILTER ELEMENT IS DESIGNED TO WITHSTAND 110 PSID (7.58 BAR) DIFFERENTIAL PRESSURE.
  3. PROCESS FLANGE CONNECTIONS ARE DRILLED TO ANSI, CLASS 150, OR CUSTOMER SPECIFIED DIN EQUIVALENT. BODY TUBE IS MADE FROM 10" PIPE.
  4. INLET AIR CONNECTION IS 1/4" NPTI. SUPPLY AIR IS TO BE CLEAN, DRY, NON-LUBRICATED AIR. 80 PSI MIN. [5.52 BAR] 120 PSI MAX. [8.27 BAR]

REF	QTY	PART NO./DWG	DESCRIPTION
PART LIST			

**EATON** EATON FILTRATION, LLC  
 RONNINGEN-PETTER PRODUCTS  
 9151 SHAVER ROAD  
 PORTAGE, MICHIGAN 49024-6798 USA

THIS DRAWING AND ALL INFORMATION THEREON IS THE PROPERTY OF EATON CORPORATION. IT IS CONFIDENTIAL AND MUST NOT BE MADE PUBLIC. THIS DRAWING IS LOANED SUBJECT TO RETURN ON DEMAND, AND IS NOT TO BE USED DIRECTLY OR INDIRECTLY, IN ANY WAY DETRIMENTAL TO THE INTERESTS OF EATON FILTRATION, LLC.

ENGINEERING APPROVAL	DRAWN BY R. BUFFA	TITLE DCF-1600 SINGLE HIGH PRESSURE UNIT DRAWING			
SALES/MKTG APPROVAL	SCALE NONE	DATE 05/17/05	SIZE B	DWG FILENAME DCF-1600-HP-SNG-GA001	REV A
	ENGINEERING SPECIFICATION				