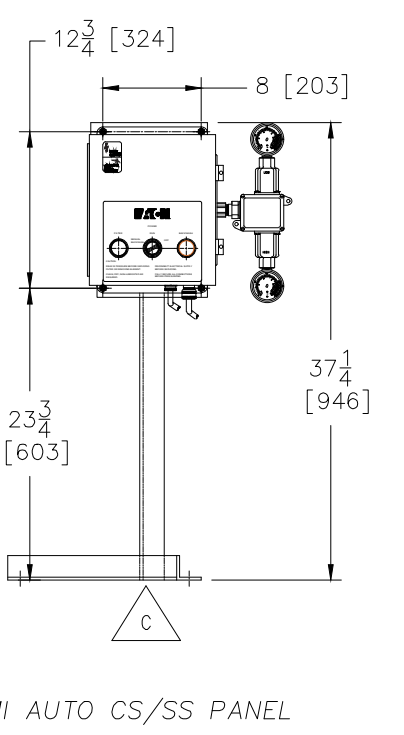
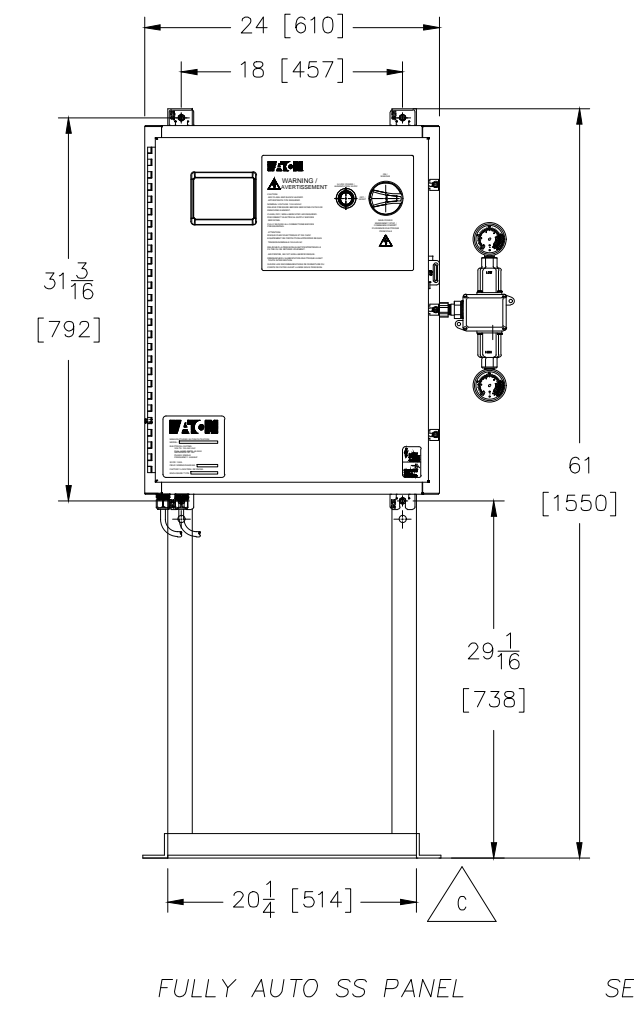
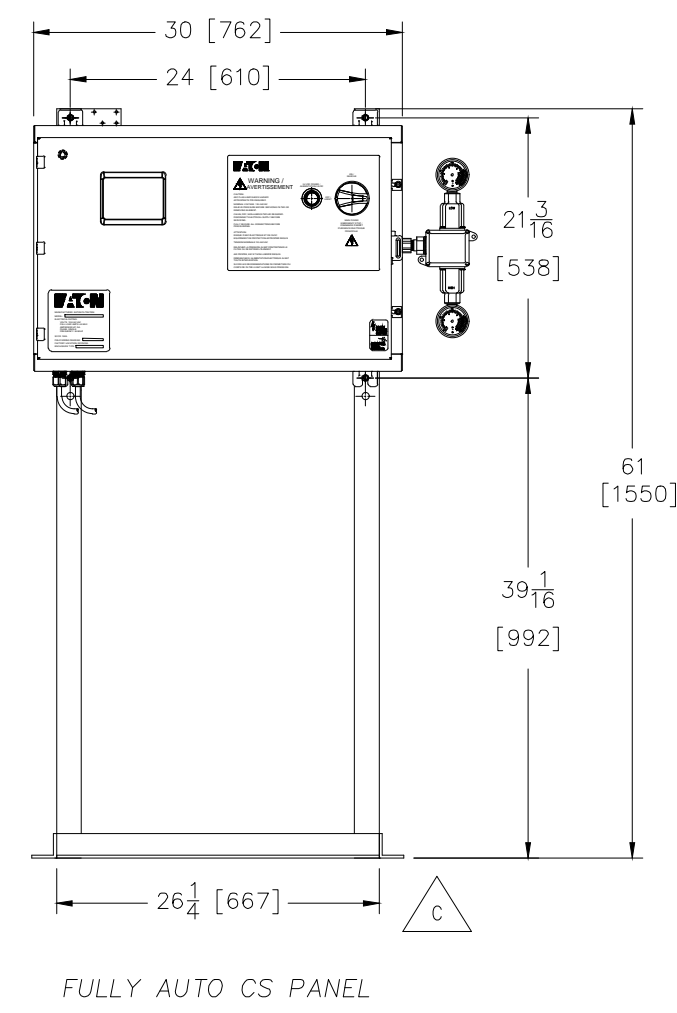
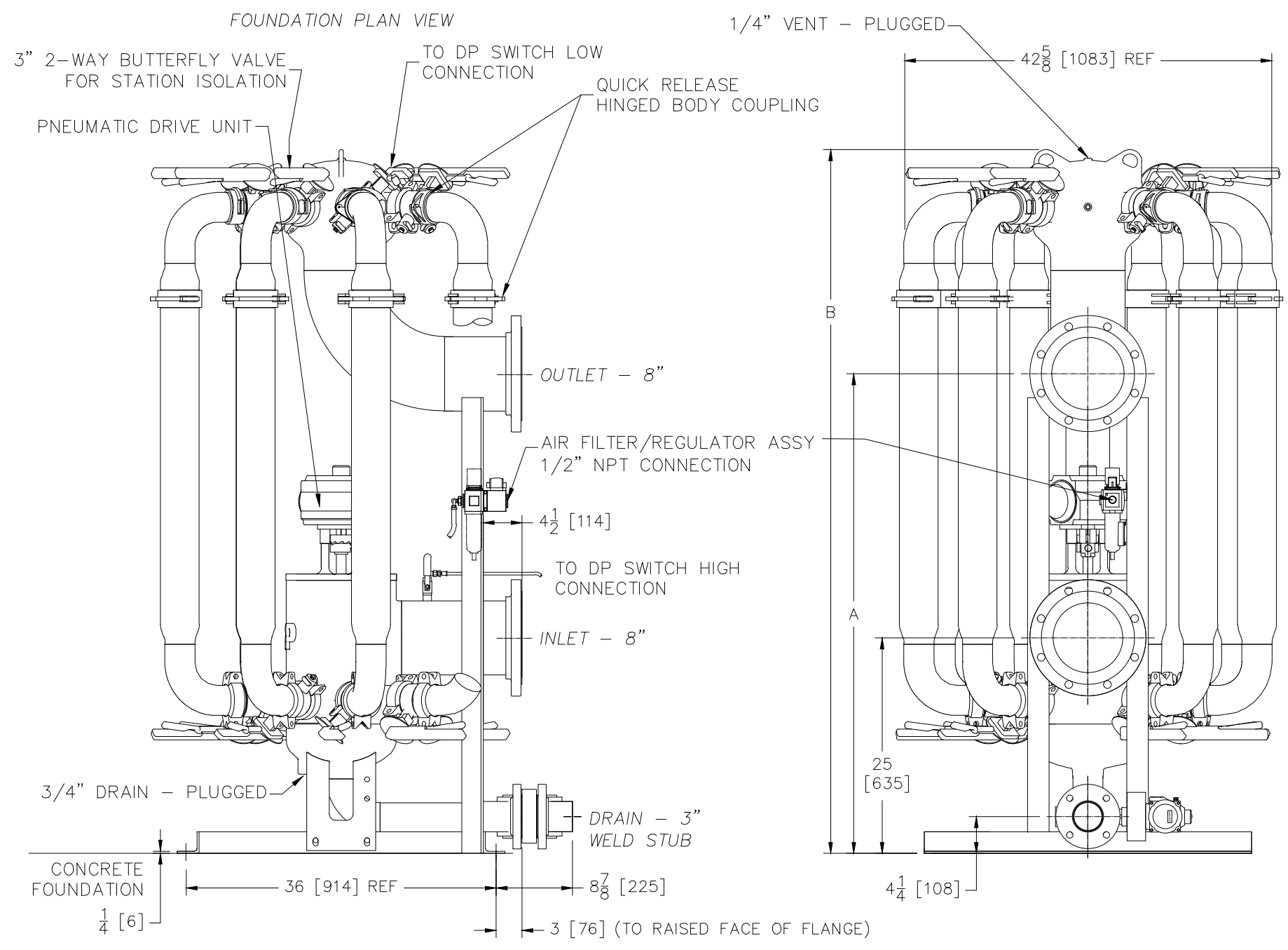
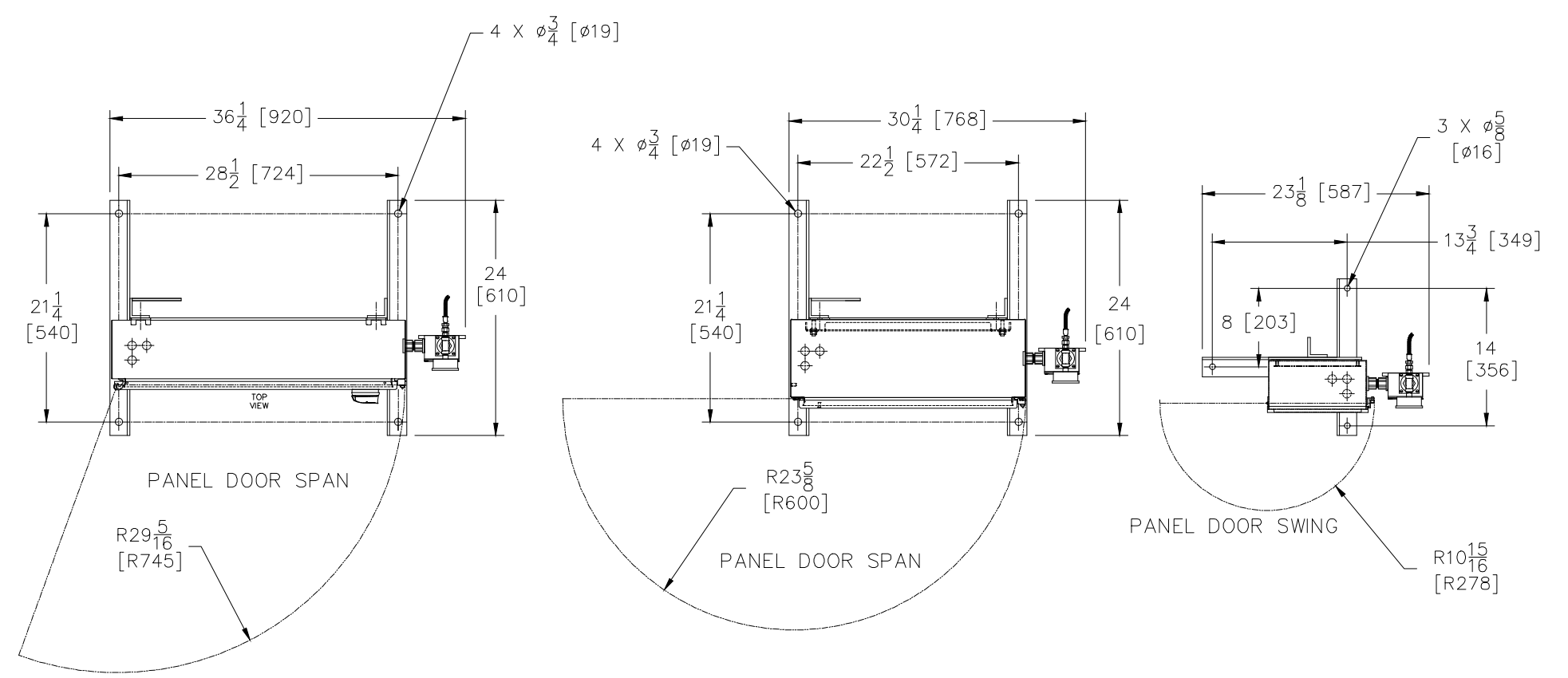
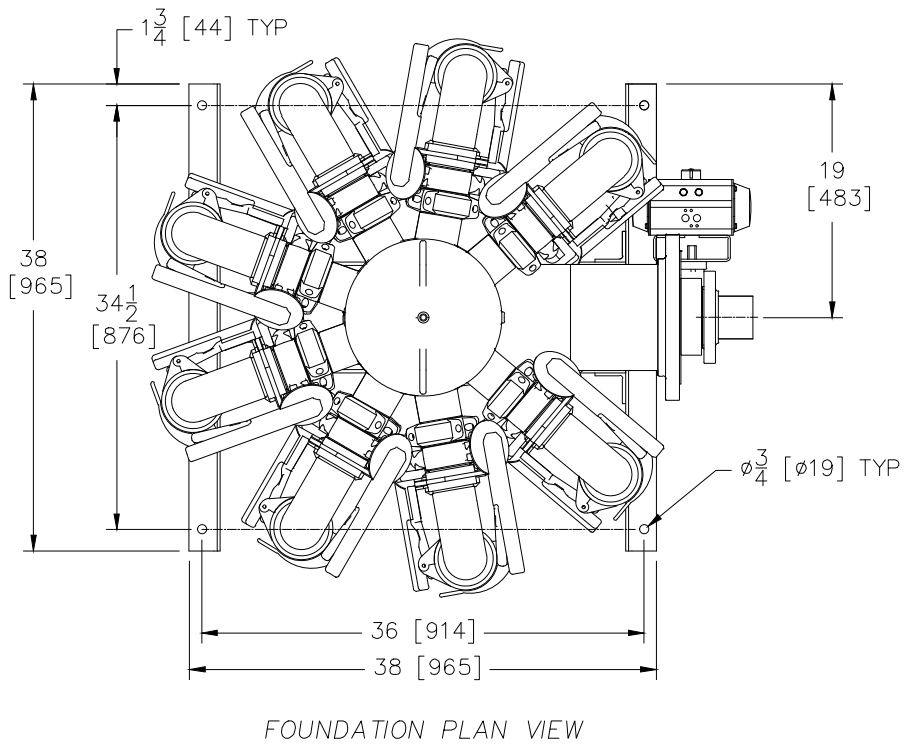
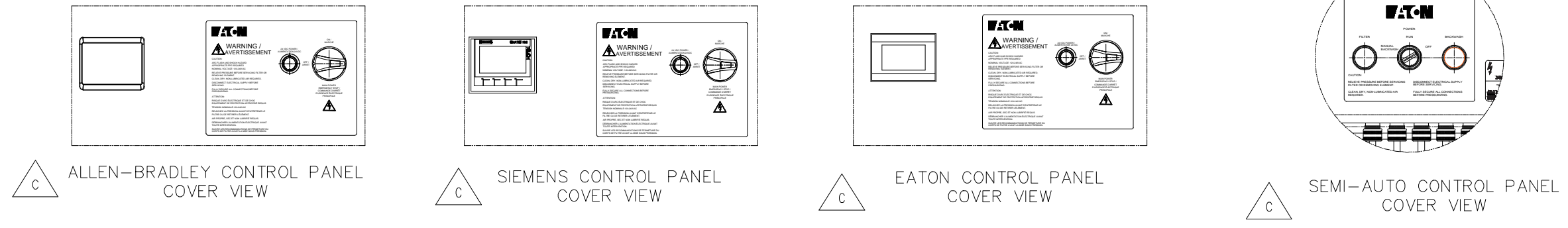


REVISIONS				
REV	DESCRIPTION	BY	ECO	DATE
C	REVISED FOR STANDARD CONTROL PANEL	N. SAWARKAR	0219110	7/13/2022
D	UPDATED TITLE BLOCK AND BORDER	N. SAWARKAR	0226083	9/21/2022



- NOTES:
1. PIPING CONNECTIONS: INLET/OUTLET ARE 8" ANSI CLASS 150#, RAISED FACE LAP-JOINT FLANGES. DRAIN IS 3" ANSI CLASS 150#, RAISED FACE LAP-JOINT FLANGES. DIN ND16 STYLE FLANGES ALSO AVAILABLE.
 2. VALVE: 2-WAY BUTTERFLY IS SUPPLIED FOR DRAIN SHUTOFF.
 3. GAUGES: 0-300 PSID (0-20 BAR) RED LINED AT 250 PSI (17 BAR).
 4. AUTOMATION: PROGRAMMABLE LOGIC CONTROLLER INITIATES BACKWASH CYCLE.
 5. MAXIMUM ALLOWABLE WORKING PRESSURE: 250 PSIG (17 BAR).
 6. MAXIMUM TEMPERATURE: 300°F (149°C).
 7. AIR REQUIREMENTS: 60 PSI (4 BAR) MIN., 120 PSI (8 BAR) MAX. AT 5.0 CFM (140 DM³/M) CLEAN, DRY, NON-LUBRICATED AIR.
 8. ALL DIMENSIONS ARE IN INCHES [MM].

GENERAL DIMENSIONS		
DIMENSION	4" BODIES	6" BODIES
A	55 3/4	59 3/4
B	81 3/4	85 3/4

DRAWN BY B. STUCK	EATON EATON FILTRATION, LLC DESIGN CENTER
SCALE AS DRAWN	
RESTRICTION RESTRICTED	TITLE AFR-3300 INTERNAL BACKWASH GENERAL ASSEMBLY (ISOLATION VALVES AND HINGE LOCKS)
SHEET 1 OF 1	
PROJECTION THIRD ANGLE	DATE 05/19/05
	SIZE C
	DWG FILENAME AFR-3300-IB-GA003
	REV D

EATON CORPORATION - CONFIDENTIAL AND PROPRIETARY NOTICE TO PERSONS RECEIVING THIS DRAWING AND/OR TECHNICAL INFORMATION: THIS DOCUMENT, INCLUDING THE DRAWING AND INFORMATION CONTAINED THEREIN IS CONFIDENTIAL AND IS THE EXCLUSIVE PROPERTY OF EATON AT ANY TIME. BY TAKING THE POSSESSION OF THIS DOCUMENT THE RECIPIENT ACKNOWLEDGES AND AGREES THAT THIS DOCUMENT CANNOT BE USED IN ANY MANNER ADVERSE TO THE INTEREST OF EATON AND THAT NO PORTION OF THIS DRAWING MAY BE COPIED OR OTHERWISE REPRODUCED WITHOUT THE PRIOR WRITTEN CONSENT OF EATON, IN THE CASE OF CONFLICTING CONTRACTUAL PROVISIONS, THIS NOTICE SHALL GOVERN THE STATUS OF THIS DOCUMENT. © 2022 EATON CORPORATION - ALL RIGHTS RESERVED.