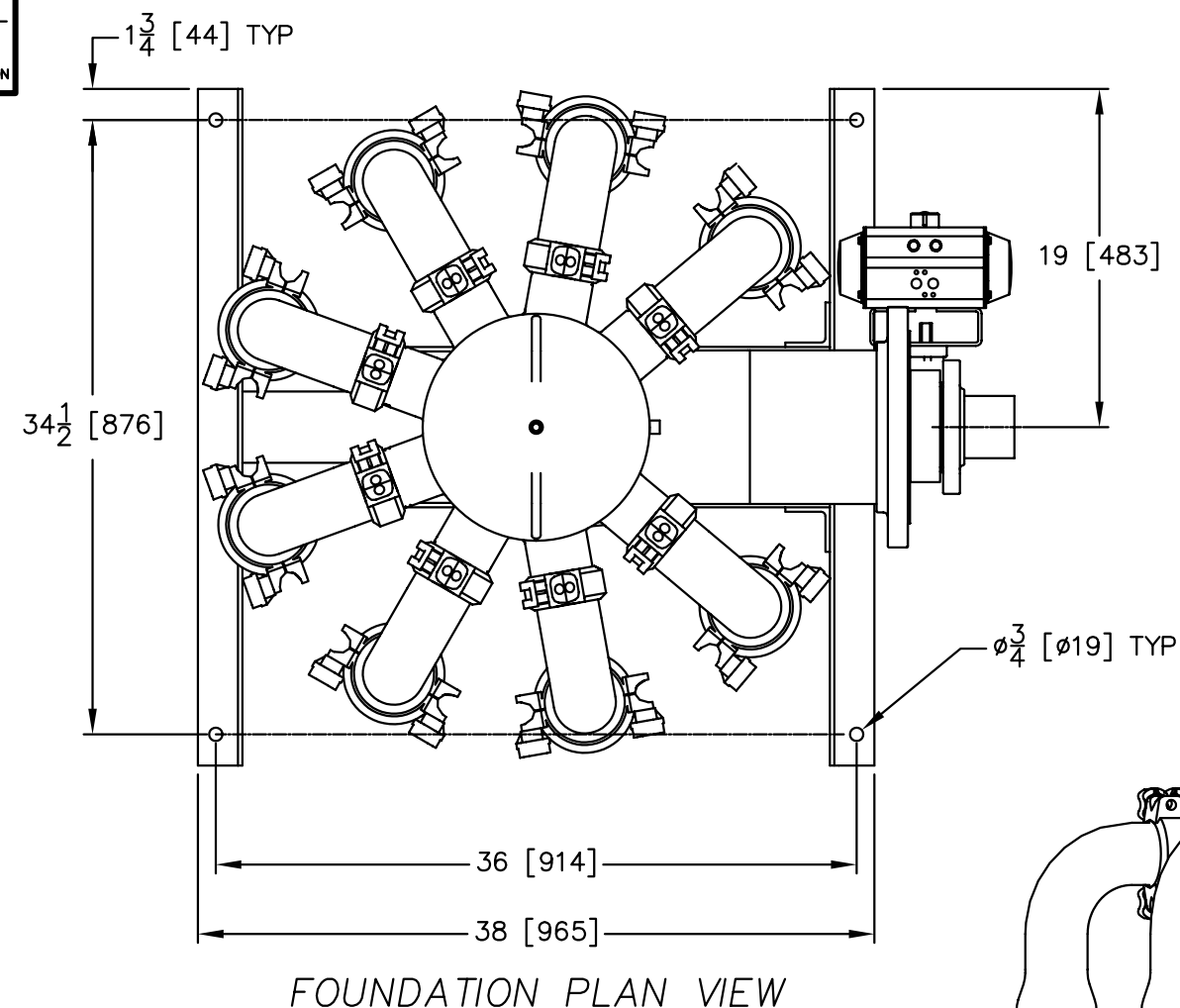
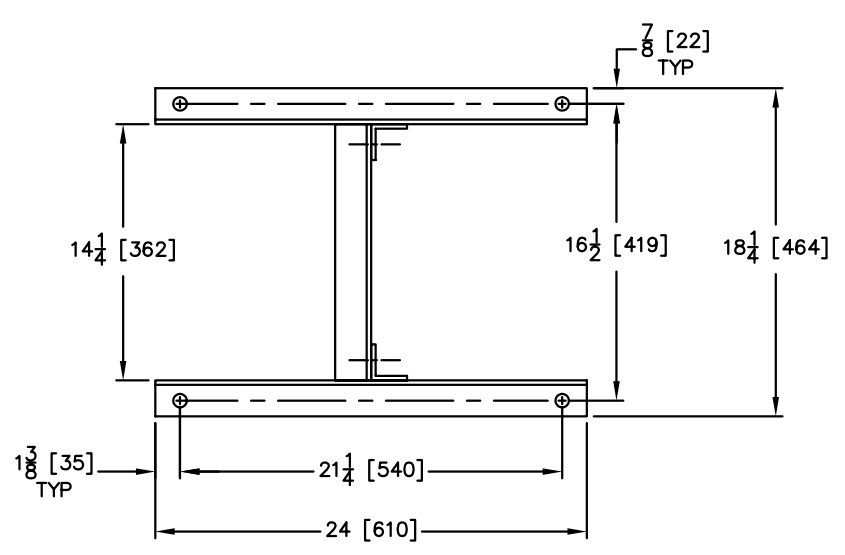


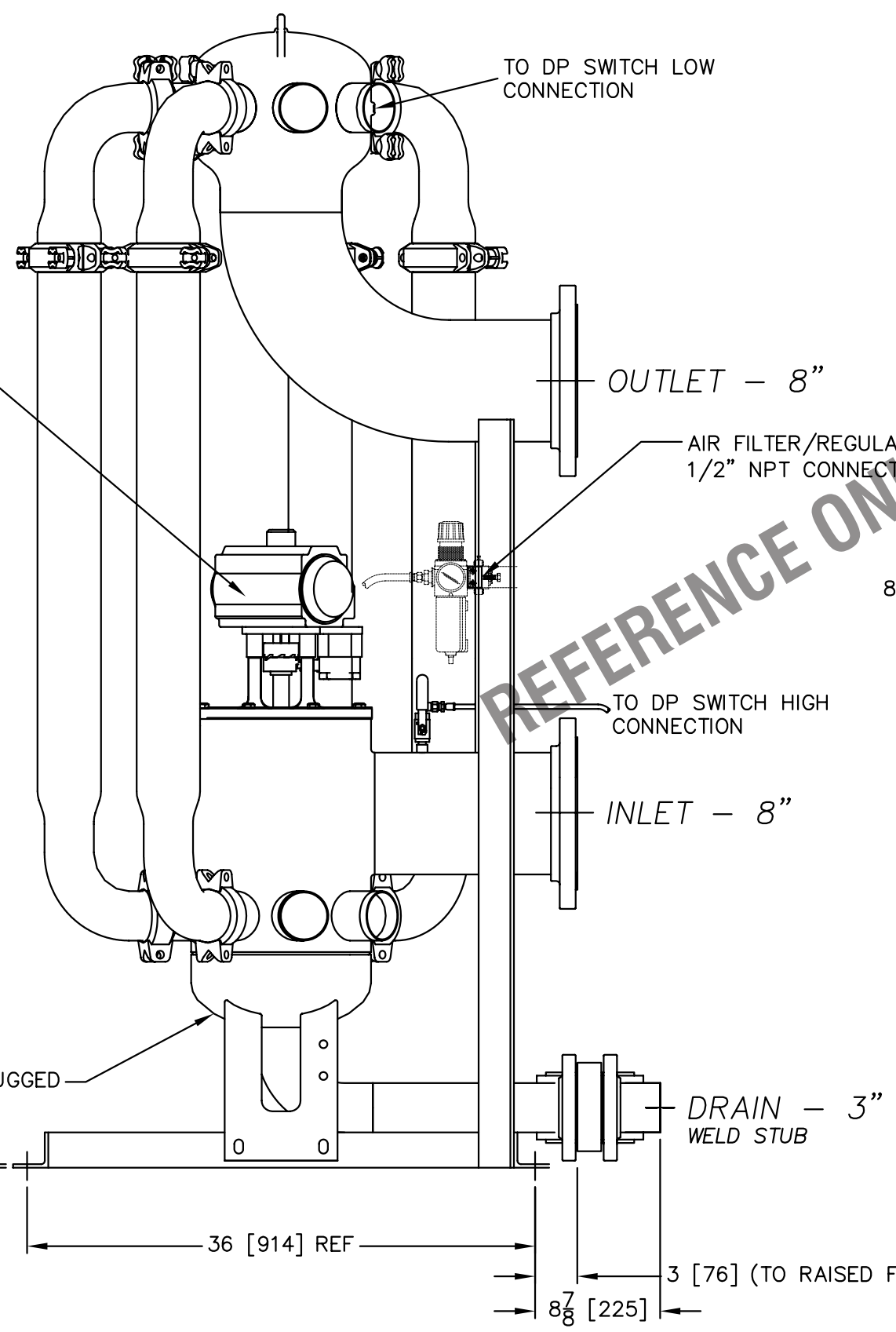
DO NOT SCALE DRAWING
THIRD ANGLE PROJECTION



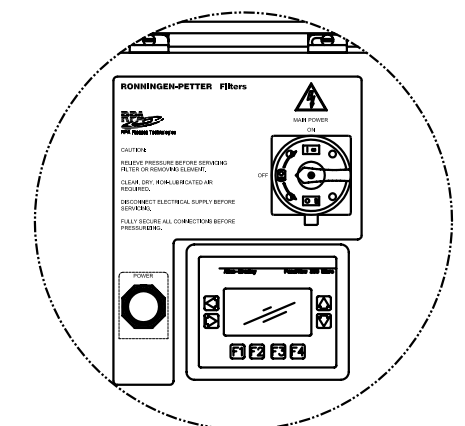
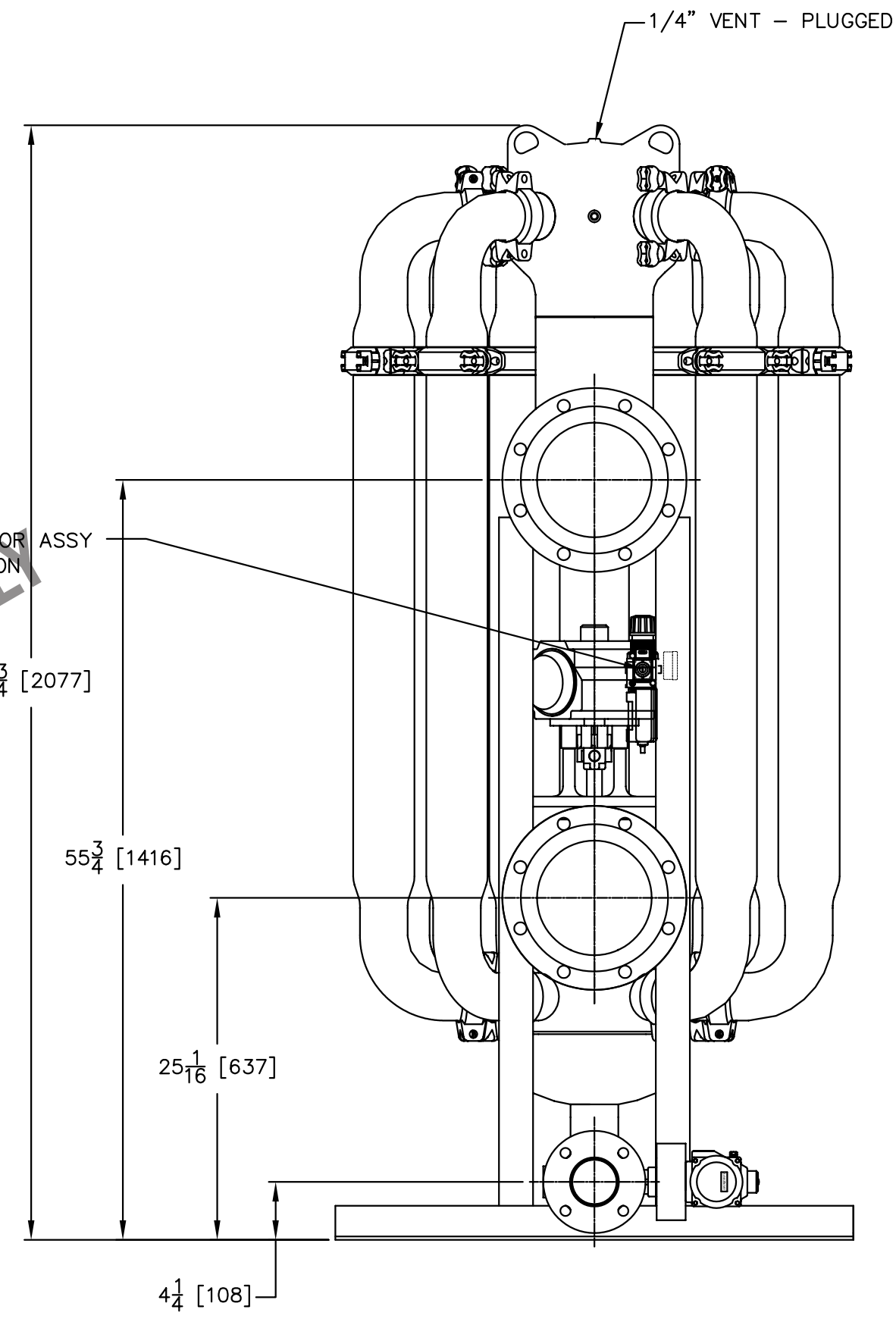
FOUNDATION PLAN VIEW



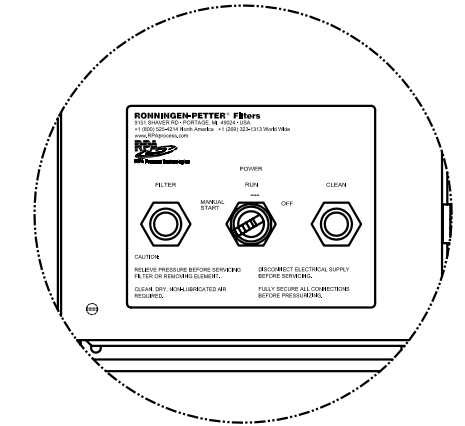
ENCLOSURE STAND FOUNDATION PLAN



2 BODY TUBES HAVE BEEN REMOVED FOR CLARITY

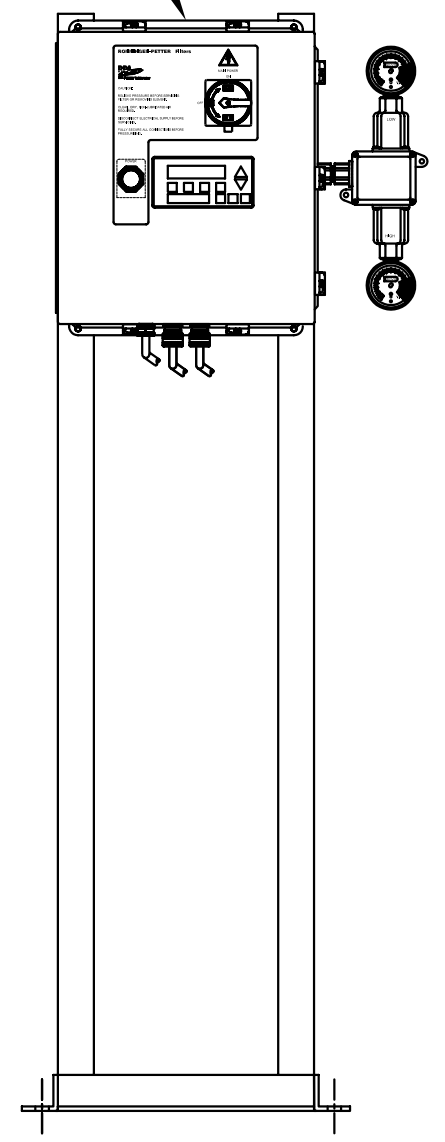


ALLEN-BRADLEY CONTROL PANEL COVER



SEMI-AUTO CONTROL PANEL COVER

SIEMENS CONTROL PANEL COVER SHOWN



NOTES:

- PIPING CONNECTIONS:
INLET/OUTLET ARE 8" ANSI CLASS 150#, RAISED FACE LAP-JOINT FLANGES.
DRAIN IS 3" ANSI CLASS 150#, RAISED FACE LAP-JOINT FLANGES.
DIN ND16 STYLE FLANGES ALSO AVAILABLE.
- VALVE:
2-WAY BUTTERFLY IS SUPPLIED FOR DRAIN SHUTOFF.
- GAUGES:
0-300 PSID (0-20 BAR) RED LINED AT 250 PSI (17 BAR).
- AUTOMATION:
PROGRAMMABLE LOGIC CONTROLLER INITIATES BACKWASH CYCLE.
- MAXIMUM ALLOWABLE WORKING PRESSURE:
250 PSIG (17 BAR).
- MAXIMUM TEMPERATURE:
300°F (149°C).
- AIR REQUIREMENTS:
60 PSI (4 BAR) MIN., 120 PSI (8 BAR) MAX. AT 5.0 CFM (140 DM³/M)
CLEAN, DRY, NON-LUBRICATED AIR.

EATON		EATON FILTRATION, LLC RONNINGEN-PETTER PRODUCTS 9151 SHAWER ROAD PORTAGE, MICHIGAN 49024-6798 USA		THIS DRAWING AND ALL INFORMATION THEREON IS THE PROPERTY OF EATON CORPORATION. IT IS CONFIDENTIAL AND MUST NOT BE MADE PUBLIC. THIS DRAWING IS LOANED SUBJECT TO RETURN ON DEMAND, AND IS NOT TO BE USED DIRECTLY OR INDIRECTLY, IN ANY WAY DETRIMENTAL TO THE INTERESTS OF EATON FILTRATION, LLC.	
ENGINEERING APPROVAL	DRAWN BY B. STUCK	TITLE AFR INTERNAL BACKWASHING UNIT WITH 4" BODIES			
SALES/MKTG APPROVAL	SCALE NONE	DATE 03/19/02	SIZE C	DWG FILENAME AFR-3300-IB-GA001	REV C
ENGINEERING SPECIFICATION					