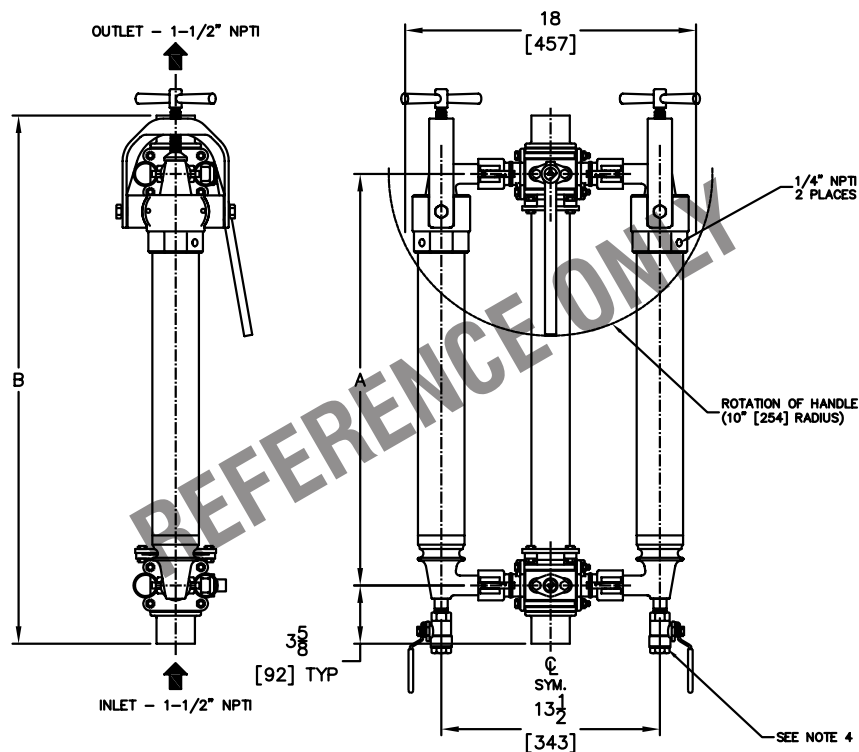


	'A'	'B'
1112	25 ⁷ / ₁₆ [646]	32 ⁵ / ₈ [829]
1118	31 ⁷ / ₁₆ [646]	38 ⁵ / ₈ [981]



- NOTES:
1. ALL FLANGED PROCESS CONNECTIONS ARE LAP JOINT TYPE, ZINC PLATED CARBON STEEL.
 2. PROCESS FLANGE CONNECTIONS ARE DRILLED TO ANSI, CLASS 300, OR CUSTOMER SPECIFIED DIN EQUIVALENT.
 3. FILTER SERVICE CONNECTIONS ARE 1" QUICK-COUPLING TYPE.
 4. 1/2" NPT STAINLESS STEEL DRAIN VALVES (AS SHOWN) ARE OPTIONAL.
 5. ALL METALLIC WETTED PARTS ARE 316 STAINLESS STEEL.
 6. ALL DIMENSIONS ARE IN INCHES WITH METRIC EQUIVALENTS IN BRACKETS [].
 7. FILTER ELEMENTS ARE DESIGNED TO WITHSTAND 150 PSI [10.3 BAR] DIFFERENTIAL PRESSURE.
 8. OPERATING PRESSURE IS UP TO 250 PSI [17 BAR].
 9. EXTERIOR FINISH:
TOP COAT: 1 MIL MINIMUM.
COLOR: SILVER



EATON FILTRATION, LLC
RONNINGEN-PETTER PRODUCTS
9151 SHAVER ROAD
PORTAGE, MICHIGAN 49024-6798 USA

THIS DRAWING AND ALL INFORMATION THEREON IS THE PROPERTY OF EATON CORPORATION. IT IS CONFIDENTIAL AND MUST NOT BE MADE PUBLIC. THIS DRAWING IS LOANED SUBJECT TO RETURN ON DEMAND, AND IS NOT TO BE USED DIRECTLY OR INDIRECTLY, IN ANY WAY DETRIMENTAL TO THE INTERESTS OF EATON FILTRATION, LLC.

ENGINEERING APPROVAL .	DRAWN BY B. STUCK	TITLE DSS-1112/11/18-HP-250 STRATE-THRU DUO FILTER			
SALES/MKTG APPROVAL .	SCALE NONE				
ENGINEERING SPECIFICATION .	DATE 03/09/05	SIZE A	DWG FILENAME DUO-1100-DST-GA003	REV A	