

LOFPLEAT™ GG micro fiberglass filter cartridges

Eaton's LOFPLEAT GG filter cartridges are suitable for the filtration of magnetic tape coatings and as a blowdown post filter. They are also widely used in the chemical, ink, and oil and gas industries.

The pleated borosilicate micro fiberglass filter cartridges are disposable, highly efficient and can be effectively used in a variety of industrial applications. They offer a high surface area for high flow rates.

Features and benefits

- High-efficiency cartridge offering standardized pore size
- High dirt-holding and flow capability
- Reduced labor costs due to less change-outs
- Fixed pore structure prevents dirt unloading even at maximum differential pressure

Design

Filter material

Micro fiberglass

Inner core, cage, end caps

Polypropylene

Gaskets/O-rings

Silicone (standard), Buna-N, EPDM, FPM, FEP encapsulated O-Rings

Support layers

Polypropylene

Retention ratings

0.45, 1, 3, 10 µm
@ 90% efficiency

Technical data

Nominal lengths

10", 20", 30", 40"
(254, 508, 762, 1.016 mm)

Outside diameter

2.7" (69 mm)

Inside diameter

1" (25.4 mm)

Surface area

4.3 ft² (0.40 m²) per 10" element

Max. operating temperature

176 °F (80 °C)

Max. differential pressure

58 psid @ 70 °F (4.0 bar @ 21 °C)
35 psid @ 176 °F (2.4 bar @ 80 °C)

Recommended differential change-out pressure for disposal
29 psid (2.0 bar)

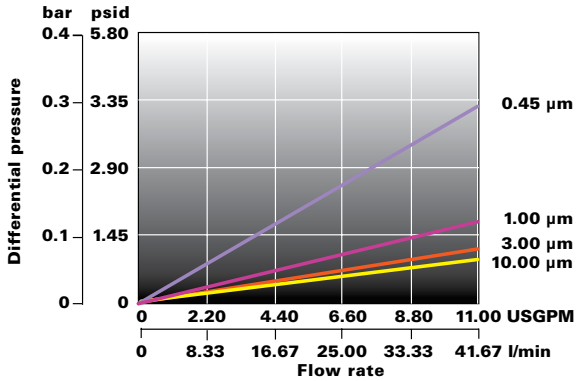


Powering Business Worldwide

LOFPLEAT GG micro fiberglass filter cartridges

Flow rate*

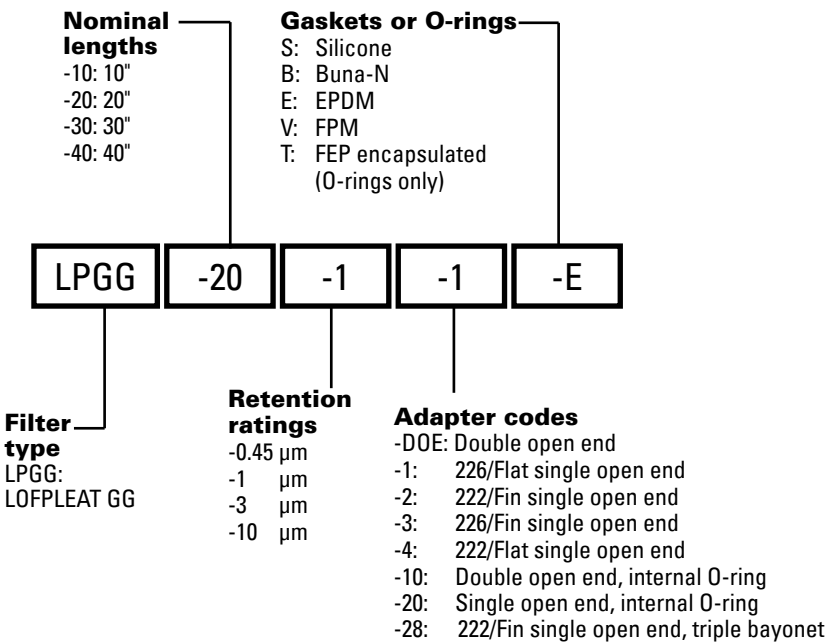
(68°F/20°C per 10" filter cartridge for water)



LOFPLEAT GG filter cartridges are available with a variety of gasket, O-ring and end cap configurations.

* For liquids other than water, multiply pressure drop by fluid viscosity in centipoise.

Ordering code



North America
44 Apple Street
Tinton Falls, NJ 07724
Toll Free: 800 656-3344
(North America only)
Tel: +1 732 212-4700

China
No. 3, Lane 280,
Linhong Road
Changning District, 200335
Shanghai, P.R. China
Tel: +86 21 5200-0099

Europe/Africa/Middle East
Auf der Heide 2
53947 Nettersheim, Germany
Tel: +49 2486 809-0

Singapore
100G Pasir Panjang Road #07-08
Singapore 118523
Tel: +65 6825-1668

Friedensstraße 41
68804 Altlußheim, Germany
Tel: +49 6205 2094-0
An den Nahewiesen 24
55450 Langenlonsheim, Germany
Tel: +49 6704 204-0

Brazil
Rua Clark, 2061 - Macuco
13279-400 - Valinhos, Brazil
Tel: +55 11 3616-8400

For more information, please
email us at filtration@eaton.com
or visit www.eaton.com/filtration

US
EF-LPGG
05-2018

© 2018 Eaton. All rights reserved. All trademarks and registered trademarks are the property of their respective owners. All information and recommendations appearing in this brochure concerning the use of products described herein are based on tests believed to be reliable. However, it is the user's responsibility to determine the suitability for his own use of such products. Since the actual use by others is beyond our control, no guarantee, expressed or implied, is made by Eaton as to the effects of such use or the results to be obtained. Eaton assumes no liability arising out of the use by others of such products. Nor is the information herein to be construed as absolutely complete, since additional information may be necessary or desirable when particular or exceptional conditions or circumstances exist or because of applicable laws or government regulations.

