

LOFPLEAT™ CP radial pleated high flow filter cartridges

Eaton's absolute rated LOFPLEAT CP filter cartridges are suitable for a wide range of process applications, including RO pre-filters, chemicals and wastewater.

LOFPLEAT CP filter cartridges are high efficiency, high performance filter elements. Constructed with a large surface, polypropylene media they provide a high dirt-holding capacity with low initial differential pressure.

Features and benefits

- High surface area for increased flow and dirt-holding capacity
- 115.2ft² (10.7m²) of surface area per 39" length
- Long service life provides low cost change-out benefits
- Polypropylene construction for use in a variety of fluids

Design

Filter material
Polypropylene

Inner core, cage, end caps
Polypropylene

O-ring
EPDM

Retention ratings
1, 5, 10, 20, 30, 40, 70 µm
@ 99.98% efficiency

Technical data

Nominal length
-39: 39" (991 mm)

Outside diameter
6.5" (165 mm)

Inside diameter
1.9" (48 mm)

Surface area
115.2ft² (10.7m²) per 39" element

Max. operating temperature
176°F (80°C)

Max. differential pressure
43.5 psid @ 70°F (3 bar @ 21°C)

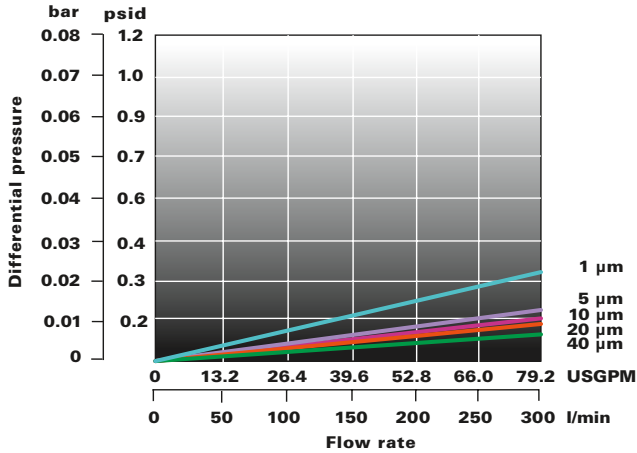


Powering Business Worldwide

LOFPLEAT CP cross-pleated high flow filter cartridges

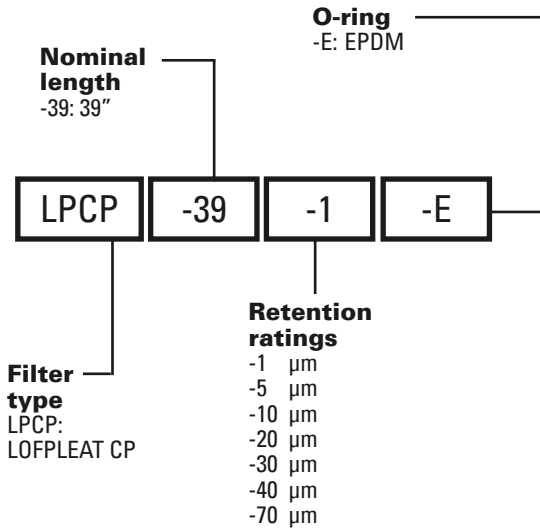
Flow rate*

(70 °F/21 °C per 39" element for water)



* For liquids other than water, multiply pressure drop by fluid viscosity in centipoise.

Ordering code



North America
44 Apple Street
Tinton Falls, NJ 07724
Toll Free: 800 656-3344
(North America only)
Tel: +1 732 212-4700

China
No. 3, Lane 280,
Linhong Road
Changning District, 200335
Shanghai, P.R. China
Tel: +86 21 5200-0099

Europe/Africa/Middle East
Auf der Heide 2
53947 Nettersheim, Germany
Tel: +49 2486 809-0

Singapore
100G Pasir Panjang Road #07-08
Singapore 118523
Tel: +65 6825-1668

Friedensstraße 41
68804 Altlußheim, Germany
Tel: +49 6205 2094-0
An den Nahewiesen 24
55450 Langenlonsheim, Germany
Tel: +49 6704 204-0

Brazil
Av. Ermano Marchetti, 1435 -
Água Branca, São Paulo - SP,
05038-001, Brasil
Tel: +55 11 3616-8461

For more information, please
email us at filtration@eaton.com
or visit www.eaton.com/filtration

© 2019 Eaton. All rights reserved. All trademarks and registered trademarks are the property of their respective owners. All information and recommendations appearing in this brochure concerning the use of products described herein are based on tests believed to be reliable. However, it is the user's responsibility to determine the suitability for his own use of such products. Since the actual use by others is beyond our control, no guarantee, expressed or implied, is made by Eaton as to the effects of such use or the results to be obtained. Eaton assumes no liability arising out of the use by others of such products. Nor is the information herein to be construed as absolutely complete, since additional information may be necessary or desirable when particular or exceptional conditions or circumstances exist or because of applicable laws or government regulations.

US
EF-LPCP
09-2019