

LOFMEM™ N absolute rated membrane filter cartridges

Eaton's LOFMEM N filters have superior chemical compatibility making them the preferred choice for high purity water filtration, organic solvents and aqueous co-solvent systems and other water and process applications.

LOFMEM N membrane filter cartridges use absolute rated nylon 66 membrane that is inherently hydrophilic and has excellent chemical resistance. LOFMEM N is manufactured without the use of glues, adhesives or wetting agents, ensuring high purity in every application.

Features and benefits

- Hydrophilic Nylon 66 membrane
- Superior chemical resistance
- Absolute rated filtration
- All-thermal bonded construction, no adhesives
- No wetting agents
- Available in multiple configurations

Design

Filter material
Hydrophilic Nylon 66 membrane

Inner core, cage, end caps
Polypropylene

Support layer
Polypropylene

Gaskets/O-rings
Silicone (standard), Buna-N, EPDM, fluorelastomer, FEP encapsulated (O-rings only)

Retention ratings
0.20, 0.45, 1.00 µm

Technical data

Nominal lengths
10", 20", 30", 40"
(254, 508, 762, 1016 mm)

Outside diameter
2.7" (69 mm)

Inside diameter
1.1" (27.9 mm)

Surface area
7 ft² (0.65 m²) per 10" element

Max. operating temperature
176 °F (80 °C)

Max. differential pressures
58 psid @ 81 °F (4.0 bar @ 21 °C)

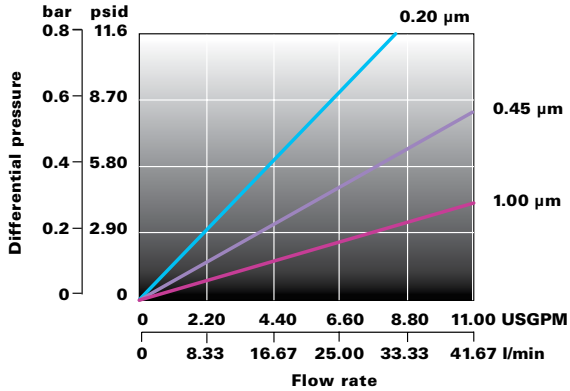


Powering Business Worldwide

LOFMEM N membrane filter cartridges

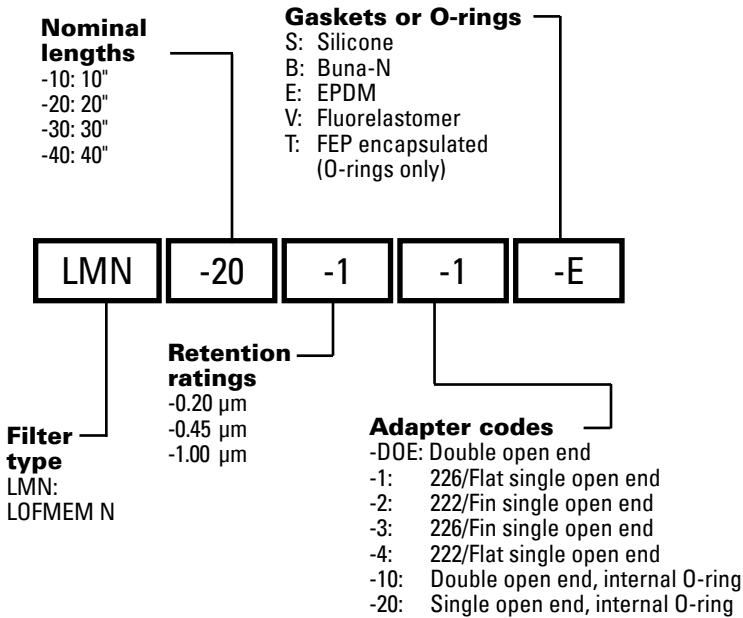
Flow rate*

(68°F/20°C per 10" filter cartridge for water)



* For liquids other than water, multiply pressure drop by fluid viscosity in centipoise.

Ordering code



North America
44 Apple Street
Tinton Falls, NJ 07724
Toll Free: 800 656-3344
(North America only)
Tel: +1 732 212-4700

China
No. 3, Lane 280,
Linhong Road
Changning District, 200335
Shanghai, P.R. China
Tel: +86 21 5200-0099

Europe/Africa/Middle East
Auf der Heide 2
53947 Nettersheim, Germany
Tel: +49 2486 809-0

Singapore
100G Pasir Panjang Road #07-08
Singapore 118523
Tel: +65 6825-1668

Friedensstraße 41
68804 Altludersheim, Germany
Tel: +49 6205 2094-0
An den Nahwiesen 24
55450 Langenlonsheim, Germany
Tel: +49 6704 204-0

Brazil
Rua Clark, 2061 - Macuco
13279-400 - Valinhos, Brazil
Tel: +55 11 3616-8400

For more information, please
email us at filtration@eaton.com
or visit www.eaton.com/filtration

US
EF-LMN
05-2018

© 2018 Eaton. All rights reserved. All trademarks and registered trademarks are the property of their respective owners. All information and recommendations appearing in this brochure concerning the use of products described herein are based on tests believed to be reliable. However, it is the user's responsibility to determine the suitability for his own use of such products. Since the actual use by others is beyond our control, no guarantee, expressed or implied, is made by Eaton as to the effects of such use or the results to be obtained. Eaton assumes no liability arising out of the use by others of such products. Nor is the information herein to be construed as absolutely complete, since additional information may be necessary or desirable when particular or exceptional conditions or circumstances exist or because of applicable laws or government regulations.

