

GUB0108 Window ATEX/IECEX

Installation & Maintenance Information

SAVE THESE INSTRUCTIONS FOR FUTURE REFERENCE

APPLICATION

GUB0108 Windows are used in applications where visual readings of instruments or the state of internal equipment is required. They are used in panels and enclosures in areas made hazardous due to the presence of flammable vapors, gases or combustible dusts.

The GUB0108 Window is suitable for use indoor or outdoor and meets the ATEX/IECEX directive and are certified by ETL. Windows have the following classification: II 2 G Ex d IIB+H2 GB and II 2 D Ex tb IIIC Db IP66.

INSTALLATION

⚠ WARNING

To avoid the risk of fire, explosion, or electric shock: Electrical power must be off before and during installation and maintenance.

GUB0108 Windows should only be assembled with covers thick enough to ensure 8 full threads of engagement between the ring adapter and cover and between the window housing and ring adapter when installing GUB0108 window.

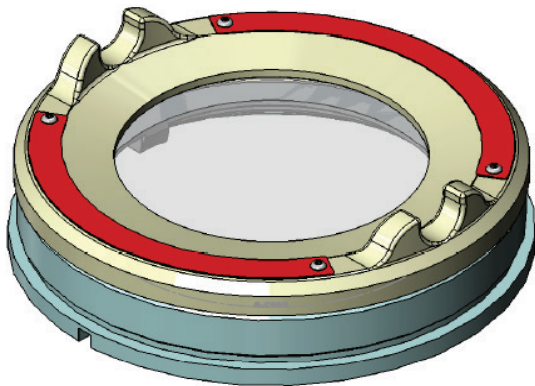


Figure 1

⚠ WARNING

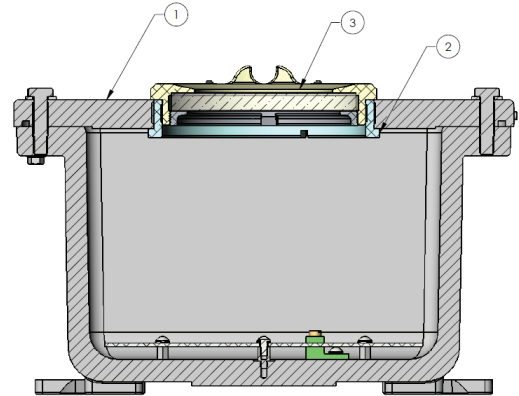
To avoid the risk of fire, explosion, or electric shock: always disconnect primary power source before opening enclosure for inspection or service.

1. Open enclosure cover (Item 1) and place on a smooth flat surface with the inside cover facing up.
2. Apply Crouse-Hinds STL thread lubricant to the GUB0108 adapter ring (Item 2) and thread into cover from the inside making sure not to cross thread during installation, until fully seated against inside cover.
3. Place cover with adapter ring back onto the enclosure body and tighten all enclosure bolts to their recommended value.
4. Apply Crouse-Hinds STL thread lubricant onto the threads of the GUB0108 window housing sub-assembly (Item 3) and screw into the adapter ring, ensuring window flange seats fully.

GUB0108 Windows should be installed, inspected and maintained by qualified and competent personnel.

STANDARDS:

- IEC 60079-0 edition 6 2011-06
- IEC 60079-1 edition 6 2007-04
- IEC 60079-31 edition 1 2008-11
- EN 60079-0 2012
- EN 60079-1: 2007
- EN 6007-31:2009



| Item | Description |
|------|--|
| 1 | Cover |
| 2 | Adapter Ring (7 3/4-8 NS-1) |
| 3 | Window Housing Sub Assembly (7 1/8 -12 NS-1) |

MAINTENANCE

1. Frequent inspection should be made. A schedule for maintenance check should be determined by the environment and frequency of use. It is recommended that it should be at least once a year.

COMPLIANCES

- ATEX: ITS07ATEX15638U
- IECEX: IECEX ETL 14.0006U

CONDITIONS OF USE

- The window must be installed with its associated adapter ring.
- The window has successfully passed the thermal shock test for a surface temperature of 135°C.
- The window has successfully passed on overpressure test of 3006.1 kPa (436 PSI).
- The window was subjected to the test for non-transmission of an internal ignition in an enclosure with a reference pressure of 751.5 kPa (109 PSI).
- The window does not incorporate a tool operated locking mechanism. Such a device shall be provided by the installer.
- The window has not been evaluated for ambient temperatures outside of -20°C to +60°C.
- The window must be installed per manufacturer's instruction sheet IF1704

All statements, technical information and recommendations contained herein are based on information and tests we believe to be reliable. The accuracy or completeness thereof are not guaranteed. In accordance with Crouse-Hinds "Terms and Conditions of Sale," and since conditions of use are outside our control, the purchaser should determine the suitability of the product for his intended use and assumes all risk and liability whatsoever in connection therewith.