

Type 4X Panel Enclosures

Wall-Mount Enclosures

Type 4X Premier™ Series with Quarter-Turn Latches

Data Sheet



Application

- Houses electrical controls and instruments
- Intended for indoor or outdoor use where a corrosive environment exists
- Protects against corrosion, circulating and windblown dust, falling dirt, dripping non-corrosive liquids, rain, splashing water and hose directed water

Standards

- UL 508 Listed, Type 4, Type 4X and Type 12
- cUL Listed, Type 4, Type 4X and Type 12
- Conforms to NEMA Standard for Type 4, Type 4X and Type 12

Finish

- Door and sides of body have a smooth #4 brushed finish

Accessories

- Premier Series panels
- NEMA panel adapters
- Depth adjustment brackets
- Print pockets
- Padlockable or keyed handles
- Security latch inserts
- Mounting foot kits
- EIA/TIA rack mounting angles
- Swing-out panels
- See Premier Series Accessories pages

Construction

- Enclosure and door are fabricated from code gauge Type 304 or Type 316L stainless steel
- All continuous welded seams are finished smooth
- Hardware kit provided contains grounding hardware, .312-18 flanged hex nuts for panel mounting and sealing washers for body mounting holes

Body Construction

- Body flange trough design is formed around body opening to divert liquid contaminants away from door opening
- Reduced width flange design increases enclosure opening
- Ground stud provided in enclosure body
- .312-18 collar studs are provided for mounting optional Premier Series panels
- Enclosure mounting holes in body provided for direct mounting or optional mounting feet
- Utility bracket provides wire management and accessory mounting options

Door Construction

- Doors are secured to the body with a unique spring-loaded hidden hinge design on one side and slotted quarter-turn flush latch(es) on the opposite side
- Doors are easily removed and interchangeable
- Door has a seamless poured in place gasket
- Door opens 170° for easy access
- Utility rail provides grounding, rigidity and wire management
- Window-door enclosures feature flush-mounted clear polycarbonate window

Type 4X Panel Enclosures

Wall-Mount Enclosures

Type 4X Premier™ Series with Quarter-Turn Latches

Catalog Number

Enclosure Catalog # Type 304 Stainless Steel		Enclosure Size Height x Width x Depth AxBxC		Door/ Body	Panel	Panel Size Height x Width		Mounting DxE		Window Size FxG		Latch	J	
Solid Door	Window Door	in.	mm.	Gauge	Catalog #	in.	mm.	in.	mm.	in.	mm	Qty.	in.	mm.
CH1084-SDSS4	-	10 x 8 x 4	254 x 203 x 02	16/16	CH108P	8 x 6	203 x 152	8.5 x 6.37	216 x 162	-	-	1	5	127
CH1086-SDSS4	-	10 x 8 x 6	254 x 203 x 152	16/16	CH108P	8 x 6	203 x 152	8.5 x 6.37	216 x 162	-	-	1	5	127
CH12106-SDSS4	-	12 x 10 x 6	305 x 254 x 152	16/16	CH1210P	10 x 8	254 x 203	10.5 x 8.37	267 x 213	-	-	1	6	152
CH12126-SDSS4	CH12126-SDWSS4	12 x 12 x 6	305 x 305 x 152	16/16	CH1212P	10 x 10	254 x 254	10.5 x 10.37	267 x 264	8.25 x 7.00	210 x 178	1	6	152
CH16126-SDSS4	CH16126-SDWSS4	16 x 12 x 6	406 x 305 x 152	16/16	CH1612P	14 x 10	356 x 254	14.5 x 10.37	368 x 264	12.25 x 7.00	311 x 178	1	8	203
CH16166-SDSS4	-	16 x 16 x 6	406 x 406 x 152	16/16	CH1616P	14 x 14	356 x 356	14.5 x 14.37	368 x 365	-	-	1	8	203
CH20166-SDSS4	CH20166-SDWSS4	20 x 16 x 6	508 x 406 x 152	16/16	CH2016P	18 x 14	457 x 356	18.5 x 14.37	470 x 365	16.25 x 11.00	413 x 279	1	10	254
CH20206-SDSS4	CH20206-SDWSS4	20 x 20 x 6	508 x 508 x 152	16/16	CH2020P	18 x 18	457 x 457	18.5 x 18.37	470 x 467	16.25 x 15.00	413 x 381	1	10	254
CH16128-SDSS4	-	16 x 12 x 8	406 x 305 x 203	16/16	CH1612P	14 x 10	356 x 254	14.5 x 10.37	368 x 264	-	-	1	8	203
CH16168-SDSS4	-	16 x 16 x 8	406 x 406 x 203	16/16	CH1616P	14 x 14	356 x 356	14.5 x 14.37	368 x 365	-	-	1	8	203
CH16208-SDSS4	-	16 x 20 x 8	406 x 508 x 203	16/16	CH2016P	14 x 18	356 x 457	14.5 x 18.37	368 x 467	-	-	1	8	203
CH20168-SDSS4	CH20168-SDWSS4	20 x 16 x 8	508 x 406 x 203	16/16	CH2016P	18 x 14	457 x 356	18.5 x 14.37	470 x 365	16.25 x 11.00	413 x 279	1	10	254
CH20208-SDSS4	CH20208-SDWSS4	20 x 20 x 8	508 x 508 x 203	16/16	CH2020P	18 x 18	457 x 457	18.5 x 18.37	470 x 467	16.25 x 15.00	413 x 381	1	10	254
CH24168-SDSS4	-	24 x 16 x 8	610 x 406 x 203	16/16	CH2416P	22 x 14	559 x 356	22.5 x 14.37	572 x 365	-	-	1	5	127
CH24208-SDSS4	CH24208-SDWSS4	24 x 20 x 8	610 x 508 x 203	16/16	CH2420P	22 x 18	559 x 457	22.5 x 18.37	572 x 467	20.25 x 15.00	514 x 381	1	5	127
CH24248-SDSS4	CH24248-SDWSS4	24 x 24 x 8	610 x 610 x 203	14/16	CH2424P	22 x 22	559 x 559	22.5 x 22.37	572 x 568	20.25 x 17.62	514 x 448	2	5	127
CH30248-SDSS4	CH30248-SDWSS4	30 x 24 x 8	762 x 610 x 203	14/16	CH3024P	28 x 22	711 x 559	28.5 x 22.37	724 x 568	26.25 x 17.62	667 x 448	2	5	127
CH30308-SDSS4	-	30 x 30 x 8	762 x 762 x 203	14/14	CH3030P	28 x 28	711 x 711	28.5 x 28.37	724 x 721	-	-	2	5	127
CH36248-SDSS4	-	36 x 24 x 8	914 x 610 x 203	14/16	CH3624P	34 x 22	864 x 559	34.5 x 22.37	876 x 568	-	-	2	5	127
CH36308-SDSS4	-	36 x 30 x 8	914 x 762 x 203	14/14	CH3630P	34 x 28	864 x 711	34.5 x 28.37	876 x 721	-	-	2	5	127
CH202012-SDSS4	CH202012-SDWSS4	20 x 20 x 12	508 x 508 x 305	14/14	CH2020P	18 x 18	457 x 457	18.5 x 18.37	470 x 467	16.25 x 15.00	413 x 381	1	10	254
CH242412-SDSS4	-	24 x 24 x 12	610 x 610 x 305	14/14	CH2424P	22 x 22	559 x 559	22.5 x 22.37	572 x 568	-	-	2	5	127
CH302412-SDSS4	CH302412-SDWSS4	30 x 24 x 12	762 x 610 x 305	14/14	CH3024P	28 x 22	711 x 559	28.5 x 22.37	724 x 568	26.25 x 17.62	667 x 448	2	5	127
CH362412-SDSS4	-	36 x 24 x 12	914 x 610 x 305	14/14	CH3624P	34 x 22	864 x 559	34.5 x 22.37	876 x 568	-	-	2	5	127
CH363012-SDSS4	-	36 x 30 x 12	914 x 762 x 305	14/14	CH3630P	34 x 28	864 x 711	34.5 x 28.37	876 x 721	-	-	2	5	127
CH363612-SDSS4	-	36 x 36 x 12	914 x 914 x 305	14/14	CH3636P	34 x 34	864 x 864	34.5 x 34.37	876 x 873	-	-	2	5	127
CH423612-SDSS4	-	42 x 36 x 12	1067 x 914 x 305	14/14	CH4236P	40 x 34	1016 x 864	40.5 x 34.37	1029 x 873	-	-	3	5	127
CH483612-SDSS4	-	48 x 36 x 12	1219 x 914 x 305	14/14	CH4836P	46 x 34	1168 x 864	46.5 x 34.37	1181 x 873	-	-	3	5	127
CH603612-SDSS4	-	60 x 36 x 12	1524 x 914 x 305	14/14	CH6036P	58 x 34	1473 x 864	58.5 x 34.37	1486 x 873	-	-	3	5	127

See dimensional drawings on page 71.

Notes: Dimensions are in inches. Millimeters shown are for reference only. Data subject to change without notice.

Type 4X Panel Enclosures

Wall-Mount Enclosures

Type 4X Premier™ Series with Quarter-Turn Latches

Catalog Number

Enclosure Catalog # Type 316L Stainless Steel	Enclosure Size Height x Width x Depth AxBxC		Door/ Body Gauge	Steel Panel Catalog #	Stainless Steel Panel Catalog #	Panel Size Height x Width		Mounting DxE		Latch Qty	J	
	in.	mm.				in.	mm.	in.	mm.		in.	mm.
CH1084-SDSS6	10.00 x 8.00 x 4.00	254 x 203 x 102	16/16	CH108P	CH108PSS4	8.00 x 6.00	203 x 152	8.50 x 6.37	216 x 162	1	5.00	127
CH1086-SDSS6	10.00 x 8.00 x 6.00	254 x 203 x 152	16/16	CH108P	CH108PSS4	8.00 x 6.00	203 x 152	8.50 x 6.37	216 x 162	1	5.00	127
CH12106-SDSS6	12.00 x 10.00 x 6.00	305 x 254 x 152	16/16	CH1210P	CH1210PSS4	10.00 x 8.00	254 x 203	10.50 x 8.37	267 x 213	1	6.00	152
CH12126-SDSS6	12.00 x 12.00 x 6.00	305 x 305 x 152	16/16	CH1212P	CH1212PSS4	10.00 x 10.00	254 x 254	10.50 x 10.37	267 x 264	1	6.00	152
CH16126-SDSS6	16.00 x 12.00 x 6.00	406 x 305 x 152	16/16	CH1612P	CH1612PSS4	14.00 x 10.00	356 x 254	14.50 x 10.37	368 x 264	1	8.00	203
CH16166-SDSS6	16.00 x 16.00 x 6.00	406 x 406 x 152	16/16	CH1616P	CH1616PSS4	14.00 x 14.00	356 x 356	14.50 x 14.37	368 x 365	1	8.00	203
CH20166-SDSS6	20.00 x 16.00 x 6.00	508 x 406 x 152	16/16	CH2016P	CH2016PSS4	18.00 x 14.00	457 x 356	18.50 x 14.37	470 x 365	1	10.00	254
CH20206-SDSS6	20.00 x 20.00 x 6.00	508 x 508 x 152	16/16	CH2020P	CH2020PSS4	18.00 x 18.00	457 x 457	18.50 x 18.37	470 x 467	1	10.00	254
CH16128-SDSS6	16.00 x 12.00 x 8.00	406 x 305 x 203	16/16	CH1612P	CH1612PSS4	14.00 x 10.00	356 x 254	14.50 x 10.37	368 x 264	1	8.00	203
CH16168-SDSS6	16.00 x 16.00 x 8.00	406 x 406 x 203	16/16	CH1616P	CH1616PSS4	14.00 x 14.00	356 x 356	14.50 x 14.37	368 x 365	1	8.00	203
CH16208-SDSS6	16.00 x 20.00 x 8.00	406 x 508 x 203	16/16	CH2016P	CH2016PSS4	14.00 x 18.00	356 x 457	14.50 x 18.37	368 x 467	1	8.00	203
CH20168-SDSS6	20.00 x 16.00 x 8.00	508 x 406 x 203	16/16	CH2016P	CH2016PSS4	18.00 x 14.00	457 x 356	18.50 x 14.37	470 x 365	1	10.00	254
CH20208-SDSS6	20.00 x 20.00 x 8.00	508 x 508 x 203	16/16	CH2020P	CH2020PSS4	18.00 x 18.00	457 x 457	18.50 x 18.37	470 x 467	1	10.00	254
CH24168-SDSS6	24.00 x 16.00 x 8.00	610 x 406 x 203	16/16	CH2416P	CH2416PSS4	22.00 x 14.00	559 x 356	22.50 x 14.37	572 x 365	1	5.00	127
CH24208-SDSS6	24.00 x 20.00 x 8.00	610 x 508 x 203	16/16	CH2420P	CH2420PSS4	22.00 x 18.00	559 x 457	22.50 x 18.37	572 x 467	1	5.00	127
CH24248-SDSS6	24.00 x 24.00 x 8.00	610 x 610 x 203	14/16	CH2424P	CH2424PSS4	22.00 x 22.00	559 x 559	22.50 x 22.37	572 x 568	2	5.00	127
CH30248-SDSS6	30.00 x 24.00 x 8.00	762 x 610 x 203	14/16	CH3024P	CH3024PSS4	28.00 x 22.00	711 x 559	28.50 x 22.37	724 x 568	2	5.00	127
CH30308-SDSS6	30.00 x 30.00 x 8.00	762 x 762 x 203	14/14	CH3030P	CH3030PSS4	28.00 x 28.00	711 x 711	28.50 x 28.37	724 x 721	2	5.00	127
CH36248-SDSS6	36.00 x 24.00 x 8.00	914 x 610 x 203	14/16	CH3624P	CH3624PSS4	34.00 x 22.00	864 x 559	34.50 x 22.37	876 x 568	2	5.00	127
CH36308-SDSS6	36.00 x 30.00 x 8.00	914 x 762 x 203	14/14	CH3630P	CH3630PSS4	34.00 x 28.00	864 x 711	34.50 x 28.37	876 x 721	2	5.00	127
CH202012-SDSS6	20.00 x 20.00 x 12.00	508 x 508 x 305	14/14	CH2020P	CH2020PSS4	18.00 x 18.00	457 x 457	18.50 x 18.37	470 x 467	1	10.00	254
CH242412-SDSS6	24.00 x 24.00 x 12.00	610 x 610 x 305	14/14	CH2424P	CH2424PSS4	22.00 x 22.00	559 x 559	22.50 x 22.37	572 x 568	2	5.00	127
CH302412-SDSS6	30.00 x 24.00 x 12.00	762 x 610 x 305	14/14	CH3024P	CH3024PSS4	28.00 x 22.00	711 x 559	28.50 x 22.37	724 x 568	2	5.00	127
CH362412-SDSS6	36.00 x 24.00 x 12.00	914 x 610 x 305	14/14	CH3624P	CH3624PSS4	34.00 x 22.00	864 x 559	34.50 x 22.37	876 x 568	2	5.00	127
CH363012-SDSS6	36.00 x 30.00 x 12.00	914 x 762 x 305	14/14	CH3630P	CH3630PSS4	34.00 x 28.00	864 x 711	34.50 x 28.37	876 x 721	2	5.00	127
CH363612-SDSS6	36.00 x 36.00 x 12.00	914 x 914 x 305	14/14	CH3636P	CH3636PSS4	34.00 x 34.00	864 x 864	34.50 x 34.37	876 x 873	2	5.00	127
CH423612-SDSS6	42.00 x 36.00 x 12.00	1067 x 914 x 305	14/14	CH4236P	CH4236PSS4	40.00 x 34.00	1016 x 864	40.50 x 34.37	1029 x 873	3	5.00	127
CH483612-SDSS6	48.00 x 36.00 x 12.00	1219 x 914 x 305	14/14	CH4836P	CH4836PSS4	46.00 x 34.00	1168 x 559	46.50 x 34.37	1181 x 873	3	5.00	127
CH603612-SDSS6	60.00 x 36.00 x 12.00	1524 x 914 x 305	14/14	CH6036P	CH6036PSS4	58.00 x 34.00	1473 x 559	58.50 x 34.37	1486 x 873	3	5.00	127

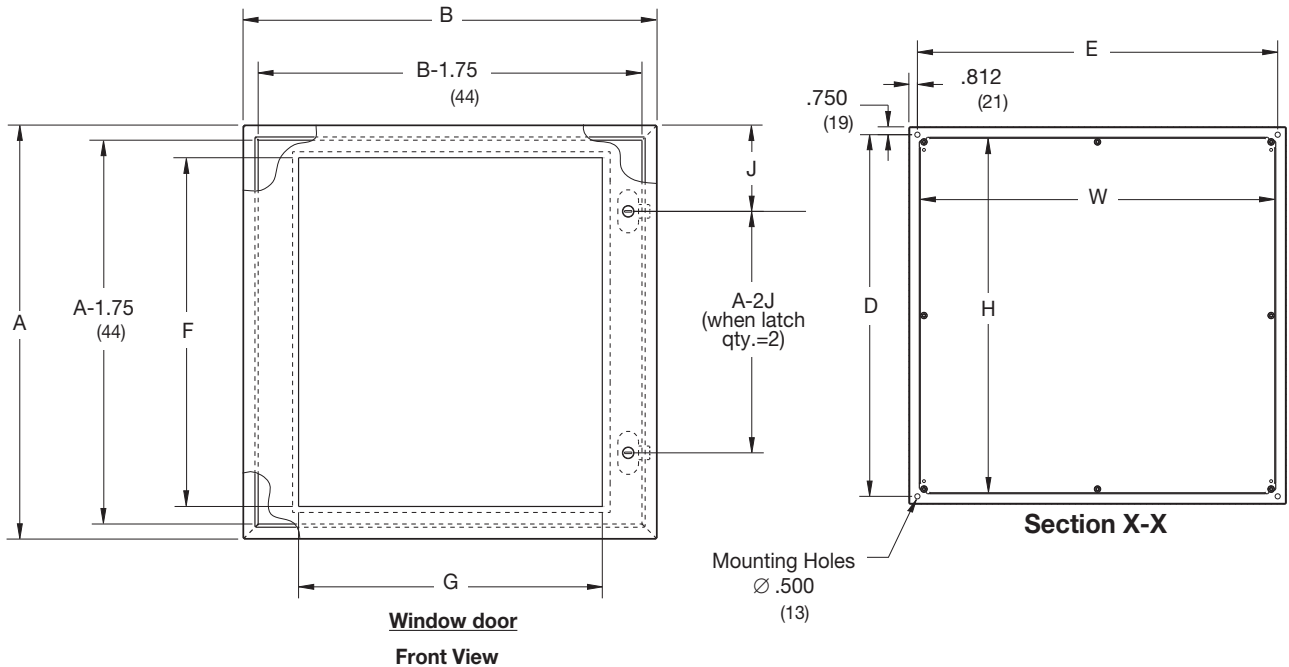
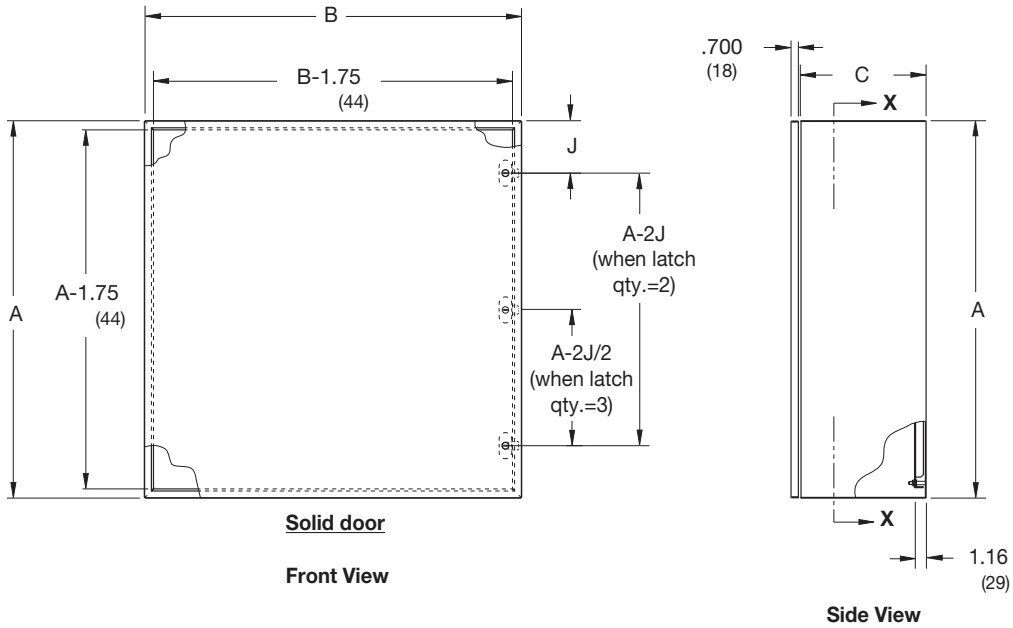
See dimensional drawings on page 71.

Notes: Dimensions are in inches. Millimeters shown are for reference only. Data subject to change without notice.

Type 4X Panel Enclosures

Wall-Mount Enclosures Type 4X Premier™ Series, Stainless Steel With Quarter-Turn Latches Illustration Sheet

See pages 69 & 70 for dimensions.



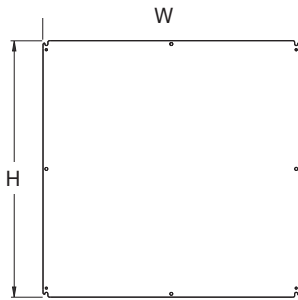
Notes: Dimensions are in inches. Millimeters shown are for reference only. Data subject to change without notice.

Type 4X Panel Enclosures

Premier™ Series Accessories

Panels

Premier panels can be installed in any Premier Series enclosure and are up to 20% larger than standard NEMA panels. Panels above 24" are flanged. Steel panels have a white polyester powder paint finish. Stainless steel sizes are available as shown in chart.



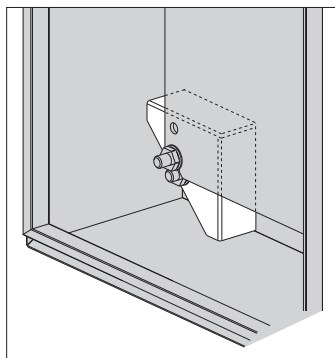
Enclosure Catalog #		Panel Size Height x Width		Gauge
Steel	Stainless	in.	mm.	
CH108P	CH108PSS4	8.00 x 6.00	203 x 152	14
CH1210P	CH1210PSS4	10.00 x 8.00	254 x 203	14
CH1212P	CH1212PSS4	10.00 x 10.00	254 x 254	14
CH1612P	CH1612PSS4	14.00 x 10.00	356 x 254	14
CH1616P	CH1616PSS4	14.00 x 14.00	356 x 356	12
CH2016P	CH2016PSS4	18.00 x 14.00	457 x 356	12
CH2020P	CH2020PSS4	18.00 x 18.00	457 x 457	12
CH2416P	CH2416PSS4	22.00 x 14.00	559 x 356	12
CH2420P	CH2420PSS4	22.00 x 18.00	559 x 457	12
CH2424P	CH2424PSS4	22.00 x 22.00	559 x 559	12
CH2442P	CH2442PSS4	22.00 x 40.00	559 x 1016	12
CH3020P	CH3020PSS4	28.00 x 18.00	711 x 457	12
CH3024P	CH3024PSS4	28.00 x 22.00	711 x 559	12
CH3030P	CH3030PSS4	28.00 x 28.00	711 x 711	12
CH3048P	CH3048PSS4	28.00 x 46.00	711 x 1168	12
CH3060P	CH3060PSS4	28.00 x 58.00	711 x 1473	12
CH3624P	CH3624PSS4	34.00 x 22.00	864 x 559	12
CH3630P	CH3630PSS4	34.00 x 28.00	864 x 711	12
CH3636P	CH3636PSS4	34.00 x 34.00	864 x 864	12
CH4230P	CH4230PSS4	40.00 x 28.00	1016 x 711	12
CH4236P	CH4236PSS4	40.00 x 34.00	1016 x 864	12
CH4824P	CH4824PSS4	46.00 x 22.00	1168 x 559	12
CH4836P	CH4836PSS4	46.00 x 34.00	1168 x 864	12
CH6036P	CH6036PSS4	58.00 x 34.00	1473 x 864	12

NEMA Panel Adapters

NEMA panel adapters allow standard NEMA panels to be used in Premier Series enclosures. Decreased height and width of NEMA panels increase space around panel for wire management. Kit includes four adapters and four .375-16 flanged hex nuts.

Finish: Zinc Plated

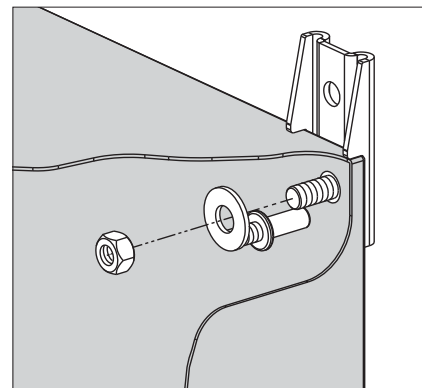
Note: Cannot be used with enclosures 12" x 12" (305mm x 305mm) or smaller.



Catalog #	Qty.	For use with Premier Enclosures
CHPCK4	4	30" x 30" or smaller

Mounting Foot Kits

Mounting foot kits are available in stainless steel. Four feet and hardware are included.



Catalog #	Qty.	For use with Premier Enclosures
CHWMKSS6	4	Type 316 Stainless Steel

Notes: Dimensions are in inches. Millimeters shown are for reference only. Data subject to change without notice.

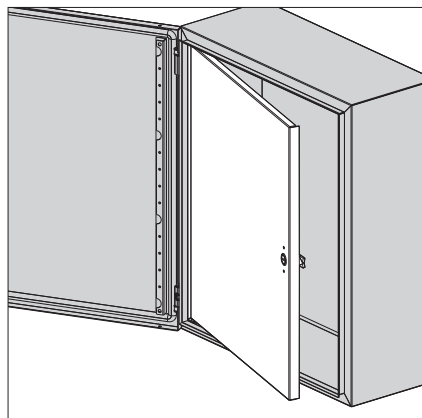
Type 4X Panel Enclosures

Premier™ Series Accessories

Swing-Out Panels

Swing-out panels offer a means for mounting user components and equipment near the front of an enclosure opening. Panel pivots from front of enclosure to allow easy access to internal equipment. Swing-out panels are 14 gauge with a white polyester powder finish and includes all hardware for mounting to front flange of enclosure.

Note: Cannot be used in conjunction with depth adjustment brackets.



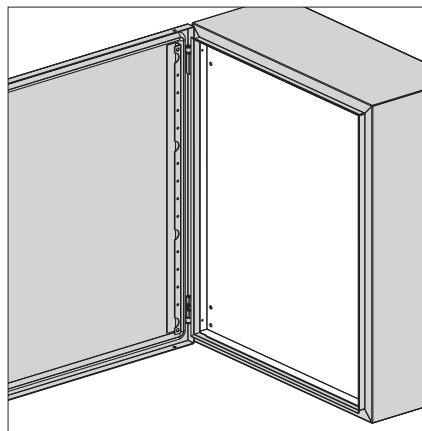
Note: Swing-out panel distance from panel face to inside of enclosure cover equals 1¼".

Catalog #	Panel Size Height x Width		For use with Premier Enclosures A x B
	in.	mm.	
CH1212SP	9.78 x 9.84	248 x 250	12" x 12"
CH1612SP	13.78 x 9.84	350 x 250	16" x 12"
CH1616SP	13.78 x 13.84	350 x 352	16" x 16"
CH1620SP	13.78 x 17.84	350 x 453	16" x 20"
CH2016SP	17.78 x 13.84	452 x 352	20" x 16"
CH2020SP	17.78 x 17.84	452 x 453	20" x 20"
CH2024SP	17.78 x 21.84	452 x 555	20" x 24"
CH2416SP	21.78 x 13.84	553 x 352	24" x 16"
CH2420SP	21.78 x 17.84	553 x 453	24" x 20"
CH2424SP	21.78 x 21.84	553 x 555	24" x 24"
CH3020SP	27.78 x 17.84	706 x 453	30" x 20"
CH3024SP	27.78 x 21.84	706 x 555	30" x 24"
CH3030SP	27.78 x 27.84	706 x 707	30" x 30"
CH3624SP	33.78 x 21.84	858 x 555	36" x 24"
CH3630SP	33.78 x 27.84	858 x 707	36" x 30"
CH3636SP	33.78 x 33.84	858 x 860	36" x 36"

Dead Front Panels

Dead front kits offer a means for mounting user components and equipment near the front of an enclosure opening. Also, creates a barrier and controls access to the enclosure interior. Kit includes ANSI 61 gray panel and all hardware for mounting to enclosures.

Note: Cannot be used in conjunction with depth adjustment brackets.



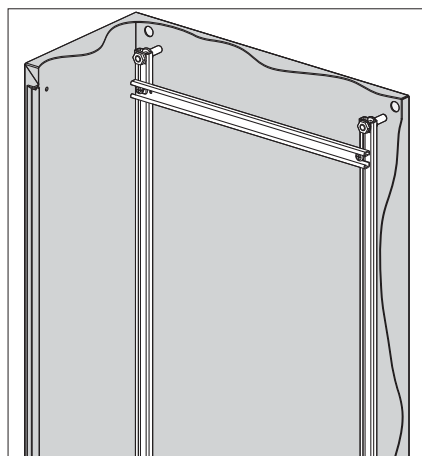
Note: Dead front panel distance from panel face to inside of enclosure cover equals 1¼".

Catalog #	For use with Premier Enclosures
	A x B
CH1212DF	12" x 12"
CH1612DF	16" x 12"
CH2016DF	20" x 16"
CH2020DF	20" x 20"
CH2420DF	24" x 20"
CH2424DF	24" x 24"
CH3024DF	30" x 24"

Mounting Channels

Mounting channels create a vertical or horizontal framework for DIN rail, flexible mounting straps or other component attachment. Two channels provided for mounting on enclosure collar studs.

Finish: Zinc Plated



Catalog #	Qty.	For use with Premier Enclosures
CH12MC	2	12" height or width
CH16MC	2	16" height or width
CH20MC	2	20" height or width
CH24MC	2	24" height or width
CH30MC	2	30" height or width
CH36MC	2	36" height or width
CH42MC	2	42" height or width
CH48MC	2	48" height or width
CH60MC	2	60" height or width

Notes: Dimensions are in inches. Millimeters shown are for reference only. Data subject to change without notice.

Type 4X Panel Enclosures

Premier™ Series Accessories

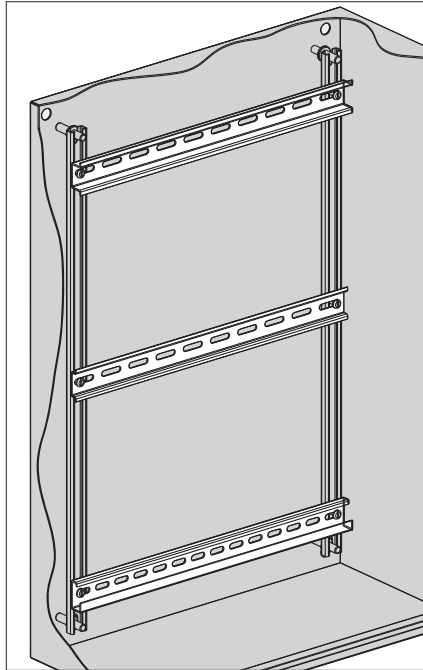
DIN Rail Kits

DIN rail kits provide flexibility for mounting DIN type snap-on equipment.

Three styles: TS32x15, slotted; TS35x7.5, slotted; TS35x15, slotted all attach to collar studs either horizontally or vertically.

Three DIN rails, screws and channel nuts are provided.

Finish: Yellow Zinc



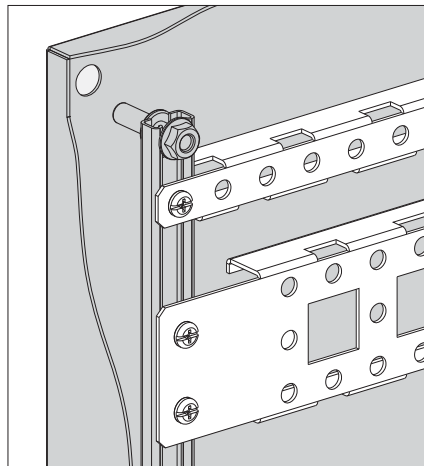
Catalog #	Description	For use with Premier Enclosures
CH12DR1P	TS32 x 15, slotted	12" height or width
CH16DR1P	TS32 x 15, slotted	16" height or width
CH20DR1P	TS32 x 15, slotted	20" height or width
CH24DR1P	TS32 x 15, slotted	24" height or width
CH12DR3P	TS35 x 7.5, slotted	12" height or width
CH16DR3P	TS35 x 7.5, slotted	16" height or width
CH20DR3P	TS35 x 7.5, slotted	20" height or width
CH24DR3P	TS35 x 7.5, slotted	24" height or width
CH12DRCP	TS35 x 15, slotted	12" height or width
CH16DRCP	TS35 x 15, slotted	16" height or width
CH20DRCP	TS35 x 15, slotted	20" height or width
CH24DRCP	TS35 x 15, slotted	24" height or width

Flexible Mounting Straps

Flexible mounting straps offer a versatile, horizontal or vertical mounting method inside enclosure body.

Two designs: 1-hole or 3-hole pattern increase mounting flexibility and attach to enclosure collar studs. Flexible mounting strap kit contains two straps and hardware.

Finish: Zinc Plated



Catalog #	Description	For use with Premier Enclosures
CH12GS1	1-hole	12" height or width
CH16GS1	1-hole	16" height or width
CH20GS1	1-hole	20" height or width
CH24GS1	1-hole	24" height or width
CH30GS1	1-hole	30" height or width
CH36GS3	3-hole	36" height or width
CH42GS3	3-hole	42" height or width
CH48GS3	3-hole	48" height or width
CH60GS3	3-hole	60" height or width

Notes: Dimensions are in inches. Millimeters shown are for reference only. Data subject to change without notice.

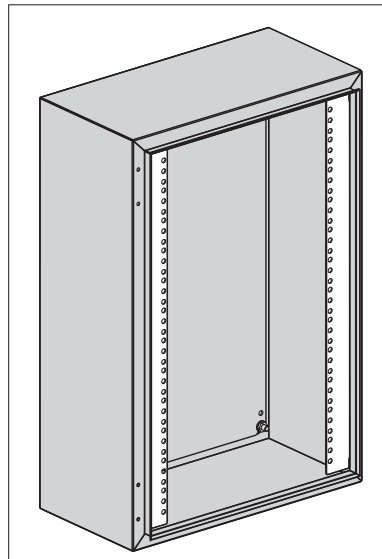
Type 4X Panel Enclosures

Premier™ Series Accessories

Rack Mounting Angles

Relay rack angles are designed for mounting EIA 19" rack mount equipment inside 24" wide enclosures. Fabricated from (14) gauge steel and zinc plated. Rack angles are mounted to enclosure flange with hardware provided. Rack mount angles are untapped and require screws and cage nuts for equipment mounting (order separately).

Finish: Zinc Plated



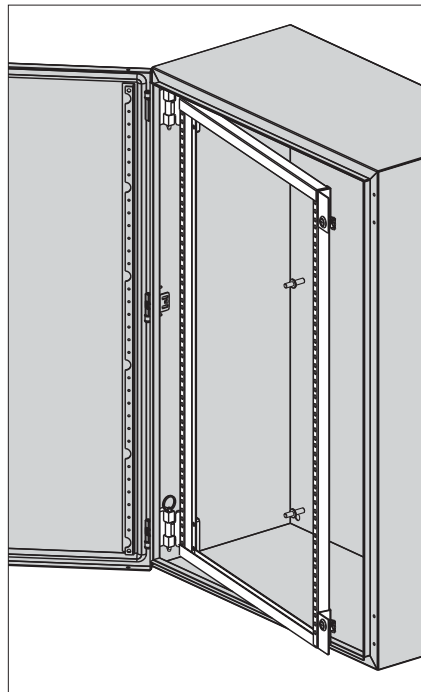
Catalog #	For use with Premier Enclosures	Mounting Units
CH10URMA	20" height	10
CH12URMA	24" height	12
CH16URMA	30" height	16
CH19URMA	36" height	19
CH26URMA	48" height	26

Universal Spacing [$\frac{5}{8}$ " (16mm), $\frac{5}{8}$ " (16mm), $\frac{1}{2}$ " (13mm)]

Swing-out Rack Frames

Swing-out rack frames allow mounting of EIA 19" rack mount equipment. Flexible pivoting framework provides access to back of equipment or other internal components. Designed for use with 24" wide Premier Series enclosures. Mounting hardware included. Swing-out rack frame holes are untapped and require screws and cage nuts for equipment mounting (order separately).

Finish: ANSI Gray Polyester Powder



Catalog #	For use with Premier Enclosures	Mounting Units
CH2424SF	24" x 24"	11
CH3024SF	30" x 24"	15
CH3624SF	36" x 24"	18

Universal Spacing [$\frac{5}{8}$ " (16mm), $\frac{5}{8}$ " (16mm), $\frac{1}{2}$ " (13mm)]

Note: Cannot be used in conjunction with depth adjustment brackets.

Notes: Dimensions are in inches. Millimeters shown are for reference only. Data subject to change without notice.

Type 4X Panel Enclosures

Premier™ Series Accessories

Handles

Padlocking, key locking or non-locking handles are interchangeable with standard slotted quarter-turn flush latch on Premier Series enclosures. Available keyed alike or keyed different; please specify when ordering.



Catalog #	Description
CHWMHNL	Wall-mount handle, non-locking
CHWMHK-01	Wall-mount handle, key locking - keyed 01
CHWMHK-02	Wall-mount handle, key locking - keyed 02
CHWMHK-03	Wall-mount handle, key locking - keyed 03
CHWMHK-04	Wall-mount handle, key locking - keyed 04
CHWMHPTO	Wall-mount handle, padlockable

Security Latch Inserts

Security latch inserts interchange with slotted quarter-turn flush latches and provide security and control access to interior of enclosure. Inserts include matching key.



CH7MTLK



CH7MSLK

Catalog #	Description
CH7MTLK	7mm triangular latch insert
CH7MSLK	7mm square latch insert
CH3MDBLK	3mm double bit latch insert



CH3MDBLK

Print Pockets

Print pockets provide a convenient place to store operation manuals, diagrams or other documents inside the enclosure. Thermoplastic pockets are gray and have cutaway areas for viewing contents. Pockets have adhesive backing for mounting inside on enclosure door.



Catalog #	Length x Width
CH32170	6" x 6"
CH32171	10" x 10"

Notes: Dimensions are in inches. Millimeters shown are for reference only. Data subject to change without notice.

Type 4X Panel Enclosures

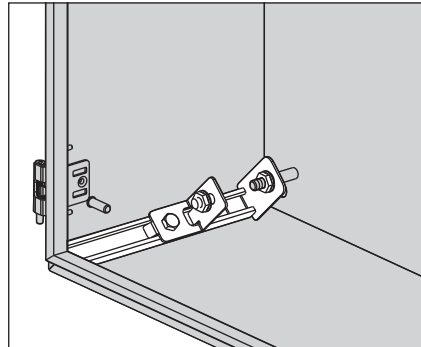
Premier™ Series Accessories

Depth Adjustment Brackets

Depth adjustment brackets allow variable depth mounting of Premier Series accessories. Designed for use with 6", 8" or 12" deep enclosures. Kit is available in quantities of 4 or 2 and includes mounting channel, adjustable mechanism and hardware. When enclosure has 6 collar studs, use two kits.

Finish: Zinc Plated

Note: Not for use with swing-out rack frame, dead front panel or swing-out panel.

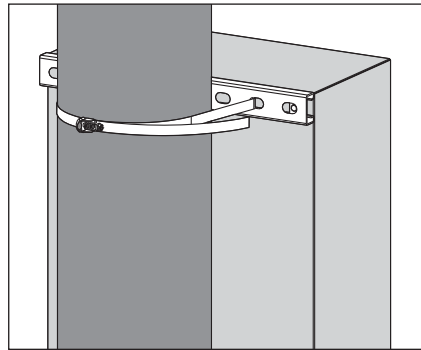


Catalog #	Qty.	For use with Premier Enclosures
CH64AMK	4	6" depth or greater
CH84AMK	4	8" depth or greater
CH82AMK	2	8" depth or greater
CH124AMK	4	12" depth or greater
CH122AMK	2	12" depth or greater

Pole Mounting Kits

Pole mounting kits allow installation of enclosure on round or rectangular poles. Kit includes hot dip galvanized after fabrication strut channel, stainless steel band and hardware for top and bottom mounting of enclosure.

Note: Pole diameter range 4" minimum to 12" maximum.



Catalog #	For use with Premier Enclosures
CH12PMK	12" width
CH16PMK	16" width
CH20PMK	20" width
CH24PMK	24" width
CH30PMK	30" width

Hardware

Phillips head screws and cage nuts are available in #10-32, #12-24 or M6 and allow mounting of equipment to untapped holes in rack mounting angles and swing-out rack frame.



Catalog #	Screw Type
CHE2-MA-1032-PHMS-100	#10-32 Phillips
CHE2-MA-1224-PHMS-100	#12-24 Phillips
CHE2-MA-M6-PHMS-100	M6 Phillips

Catalog #	Cage Nut Type
CHE2-MA-CN-1032-100	#10-32 Tapped
CHE2-MA-CN-1224-100	#12-24 Tapped
CHE2-MA-CN-M6-100	M6 Tapped

Sold in bags of 100 pieces.

Notes: Dimensions are in inches. Millimeters shown are for reference only. Data subject to change without notice.