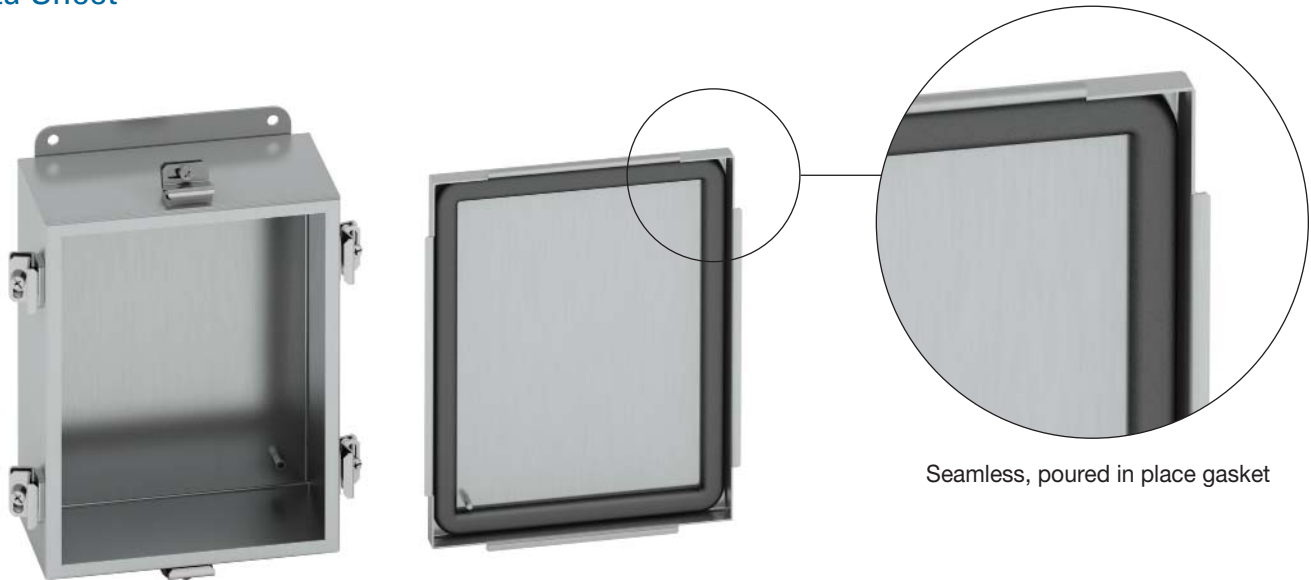


Type 4X Panel Enclosures

JIC Enclosures Type 4X Lift-Off Cover Data Sheet



Application

- Houses electrical controls and instruments
- Intended for indoor or outdoor use where a corrosive environment exists
- Protects against corrosion, windblown dust and rain, splashing water and hose directed water

Standards

- UL 508 Listed, Type 4X, Type 4, Type 12 and Type 13
- CSA C22.2 No. 94 Certified, Type 4X, Type 4, Type 12 and Type 13
- Conforms to NEMA Standard for Type 4X, Type 4, Type 12 and Type 13
- Conforms to JIC Standard EGP-1-1967
- Meets NEMA 3R requirements

Finish

- Cover and sides of body have a smooth #4 brushed finish

Accessories

- Panels
- JIC terminal strap kit
- JIC terminal strip kit
- Terminal blocks
- See Accessories section

Construction

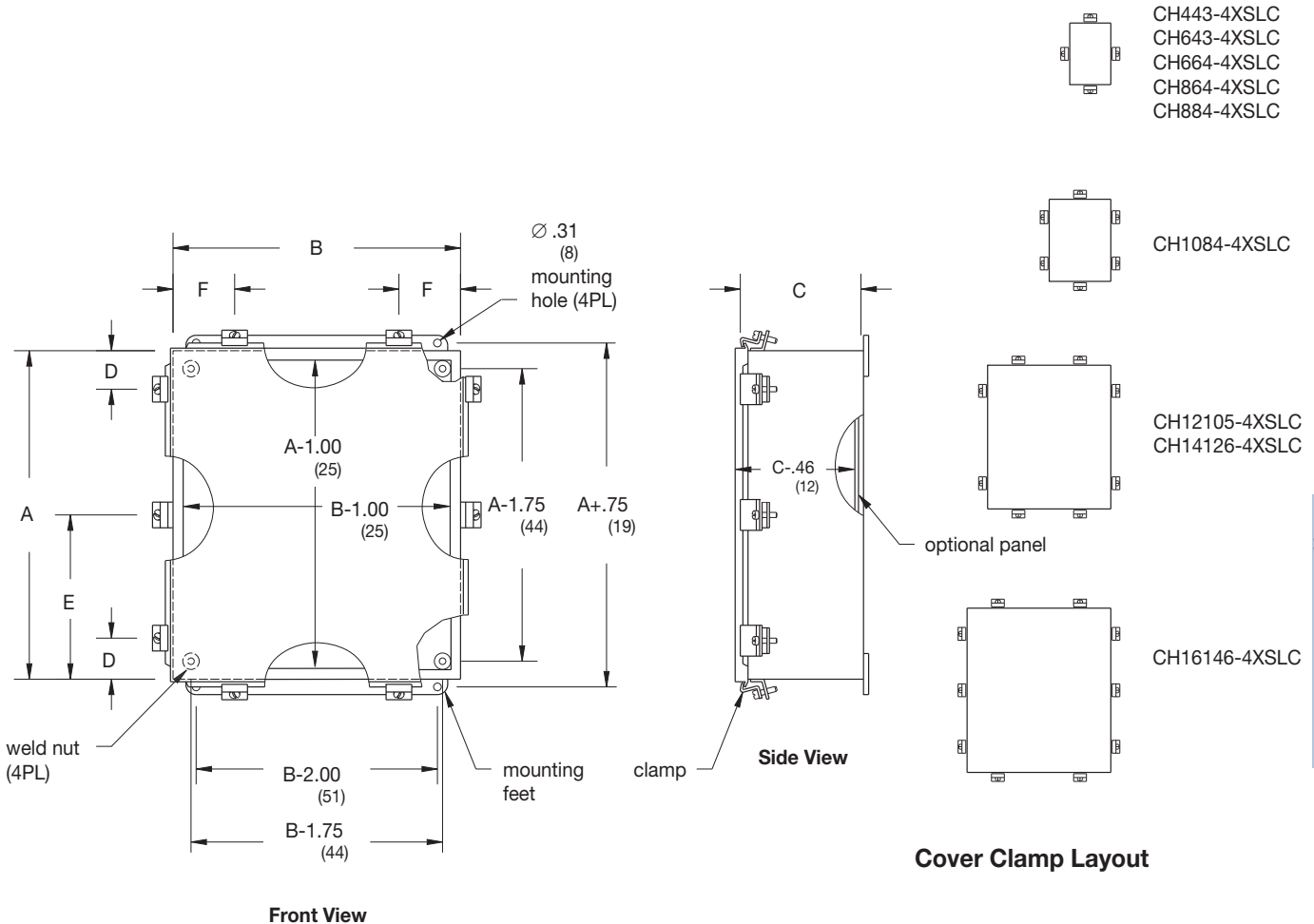
- Enclosure and cover are fabricated from (16) gauge, Type 304 or Type 316L stainless steel
- All continuous welded seams are finished smooth
- Cover is secured to the body with easy-to-operate stainless steel screw clamps mounted on all four sides
- Cover has a seamless poured in place gasket
- #10-32 weld nuts are provided for mounting optional panel on 6" x 4" and larger enclosures
- External mounting feet are provided for secure wall mounting

Type 4X Panel Enclosures

JIC Enclosures Type 4X Lift-Off Cover

Illustration Sheet and Catalog Number

Enclosure Catalog # Stainless Steel		Enclosure Size Height x Width x Depth AxBxC		D		E		F		Panel Catalog #		Panel Size Height x Width	
Type 304	Type 316L	in.	mm.	in.	mm.	in.	mm.	in.	mm.	Painted	Conductive	in.	mm.
CH443-4XSLC	CH443-4XSS6LC	4.00 x 4.00 x 3.00	102 x 102 x 76	2.00	51	-	-	2.00	51	-	-	-	-
CH643-4XSLC	CH643-4XSS6LC	6.00 x 4.00 x 3.00	152 x 102 x 76	3.00	76	-	-	2.00	51	CHAW64P	CHAW64GP	4.87 x 2.87	124 x 73
CH664-4XSLC	CH664-4XSS6LC	6.00 x 6.00 x 4.00	152 x 152 x 102	3.00	76	-	-	3.00	76	CHAW66P	CHAW66GP	4.87 x 4.87	124 x 124
CH864-4XSLC	CH864-4XSS6LC	8.00 x 6.00 x 4.00	203 x 152 x 102	4.00	102	-	-	3.00	76	CHAW86P	CHAW86GP	6.87 x 4.87	174 x 124
CH884-4XSLC	CH884-4XSS6LC	8.00 x 8.00 x 4.00	203 x 203 x 102	4.00	102	-	-	4.00	102	CHAW88P	CHAW88GP	6.87 x 6.87	174 x 174
CH1084-4XSLC	CH1084-4XSS6LC	10.00 x 8.00 x 4.00	254 x 203 x 102	2.00	51	-	-	4.00	102	CHAW108P	CHAW108GP	8.87 x 6.87	225 x 174
CH12105-4XSLC	CH12105-4XSS6LC	12.00 x 10.00 x 5.00	305 x 254 x 127	3.00	76	-	-	2.00	51	CHAW1210P	CHAW1210GP	10.87 x 8.87	276 x 225
CH14126-4XSLC	CH14126-4XSS6LC	14.00 x 12.00 x 6.00	356 x 305 x 152	3.00	76	-	-	3.00	76	CHAW1412P	CHAW1412GP	12.87 x 10.87	327 x 276
CH16146-4XSLC	CH16146-4XSS6LC	16.00 x 14.00 x 6.00	406 x 356 x 152	2.00	51	8.00	203	3.00	76	CHAW1614P	CHAW1614GP	14.87 x 12.87	378 x 327



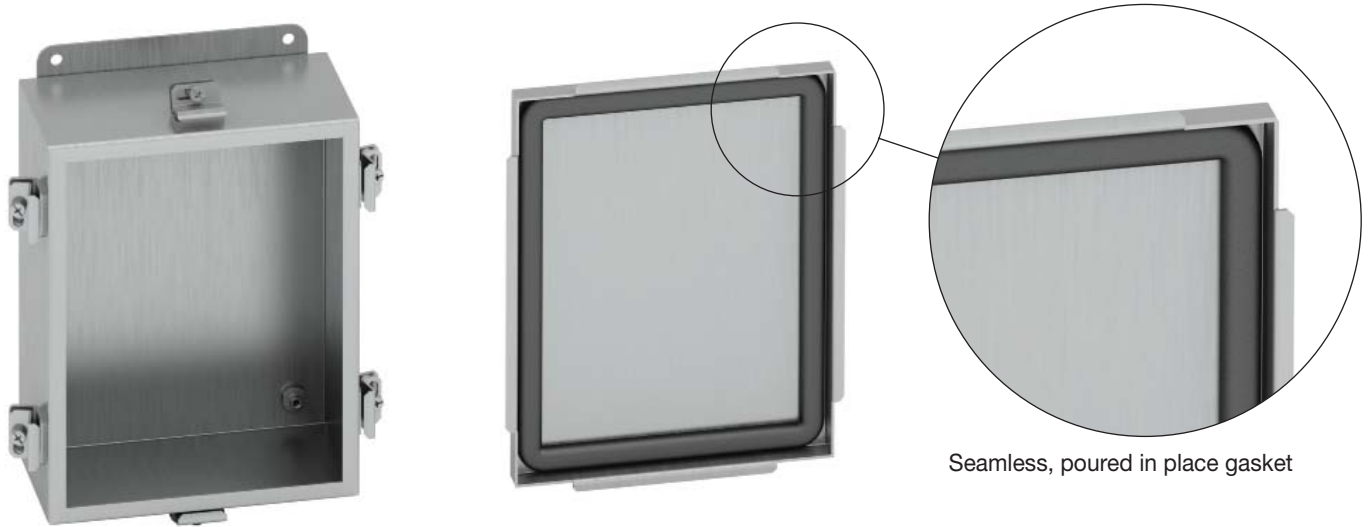
Notes: Dimensions are in inches. Millimeters shown are for reference only. Data subject to change without notice.

Type 4X Panel Enclosures

JIC Enclosures

Type 4X Lift-Off Cover, Aluminum

Data Sheet



Seamless, poured in place gasket

Application

- Houses electrical controls and instruments
- Intended for indoor or outdoor use where a corrosive environment exists
- Protects against corrosion, windblown dust and rain, splashing water and hose directed water

Standards

- UL 508 Listed, Type 4, Type 4X, Type 12 and Type 13
- CSA C22.2 No. 94 Certified, Type 4, Type 4X, Type 12 and Type 13
- Conforms to NEMA Standard for Type 4, Type 4X, Type 12 and Type 13
- Conforms to JIC Standard EGP-1-1967
- Meets NEMA 3R requirements

Finish

- Cover and sides of body have a smooth #4 brushed finish

Accessories

- Panels
- JIC terminal strap kit
- JIC terminal strip kit
- Terminal blocks
- See Accessories section

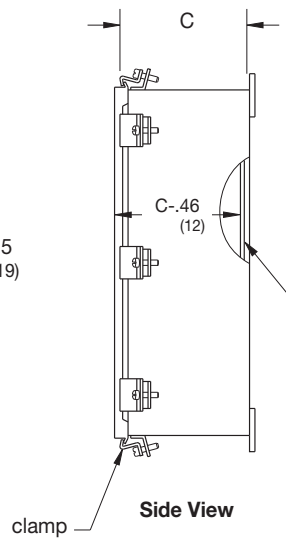
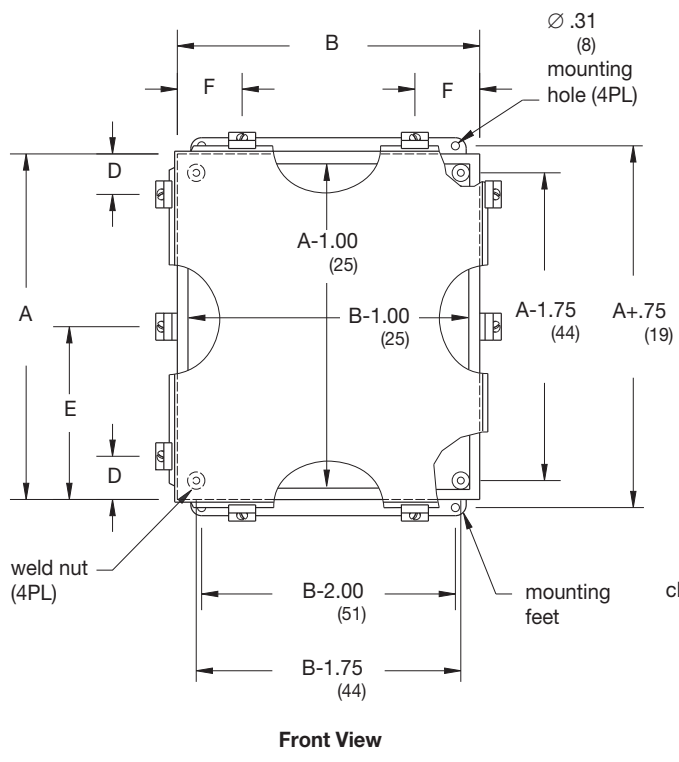
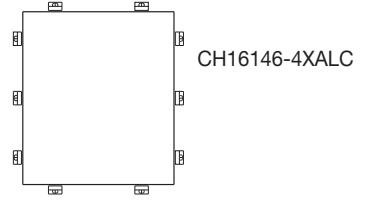
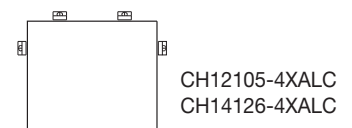
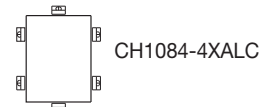
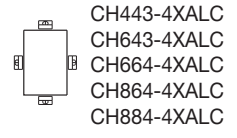
Construction

- Enclosure and cover are fabricated from (14) gauge, Type 5052-H32 aluminum
- All continuous welded seams are finished smooth
- Cover is secured to the body with easy-to-operate stainless steel screw clamps mounted on all four sides
- Each door has a print pocket and padlock hasp with sealing hole provision
- Cover has a seamless poured in place gasket
- #10-32 weld nuts are provided for mounting optional panel on 6" x 4" and larger enclosures
- External mounting feet are provided for secure wall mounting

Type 4X Panel Enclosures

JIC Enclosures Type 4X Lift-Off Cover, Aluminum Illustration Sheet and Catalog Number

Enclosure Catalog #	Enclosure Size Height x Width x Depth AxBxC		D		E		F		Panel Catalog #		Panel Size Height x Width	
	in.	mm.	in.	mm.	in.	mm.	in.	mm.	Steel	Conductive	in.	mm
CH443-4XALC	4.00 x 4.00 x 3.00	102 x 102 x 76	2.00	51	-	-	2.00	51	-	-	-	-
CH643-4XALC	6.00 x 4.00 x 3.00	152 x 102 x 76	3.00	76	-	-	2.00	51	CHAW64P	CHAW64GP	4.87 x 2.87	124 x 73
CH664-4XALC	6.00 x 6.00 x 4.00	152 x 152 x 102	3.00	76	-	-	3.00	76	CHAW66P	CHAW66GP	4.87 x 4.87	124 x 124
CH864-4XALC	8.00 x 6.00 x 4.00	203 x 152 x 102	4.00	102	-	-	3.00	76	CHAW86P	CHAW86GP	6.87 x 4.87	174 x 124
CH884-4XALC	8.00 x 8.00 x 4.00	203 x 203 x 102	4.00	102	-	-	4.00	102	CHAW88P	CHAW88GP	6.87 x 6.87	174 x 174
CH1084-4XALC	10.00 x 8.00 x 4.00	254 x 203 x 102	2.00	51	-	-	4.00	102	CHAW108P	CHAW108GP	8.87 x 6.87	225 x 174
CH12105-4XALC	12.00 x 10.00 x 5.00	305 x 254 x 127	3.00	76	-	-	2.00	51	CHAW1210P	CHAW1210GP	10.87 x 8.87	276 x 225
CH14126-4XALC	14.00 x 12.00 x 6.00	356 x 305 x 152	3.00	76	-	-	3.00	76	CHAW1412P	CHAW1412GP	12.87 x 10.87	327 x 276
CH16146-4XALC	16.00 x 14.00 x 6.00	406 x 356 x 152	2.00	51	8.00	203	3.00	76	CHAW1614P	CHAW1614GP	14.87 x 12.87	378 x 327



Cover Clamp Layout

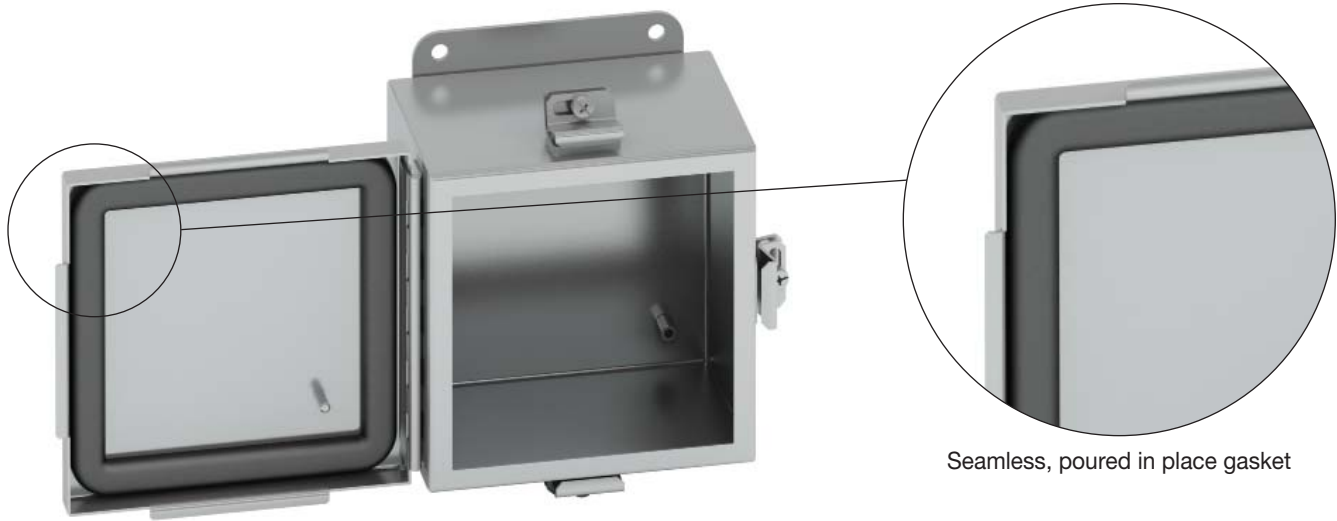
Notes: Dimensions are in inches. Millimeters shown are for reference only. Data subject to change without notice.

Type 4X Panel Enclosures

JIC Enclosures

Type 4X Continuous Hinge Cover

Data Sheet



Seamless, poured in place gasket

Application

- Houses electrical controls and instruments
- Intended for indoor or outdoor use where a corrosive environment exists
- Protects against corrosion, windblown dust and rain, splashing water and hose directed water

Standards

- UL 508 Listed, Type 4, Type 4X, Type 12 and Type 13
- CSA C22.2 No. 94 Certified, Type 4, Type 4X, Type 12 and Type 13
- Conforms to NEMA Standard for Type 4, Type 4X, Type 12 and Type 13
- Conforms to JIC Standard EGP-1-1967
- Meets NEMA 3R requirements

Finish

- Cover and sides of body have a smooth #4 brushed finish

Accessories

- Panels
- JIC terminal strap kit
- JIC terminal strip kit
- Terminal blocks
- See Accessories section

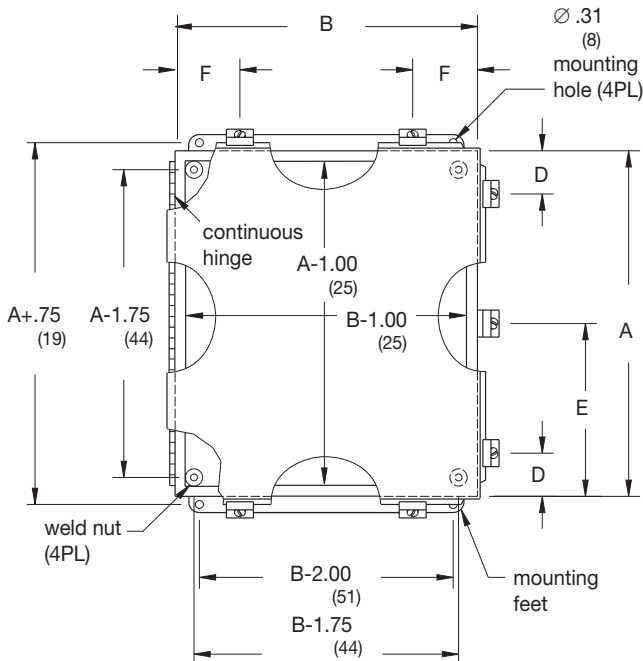
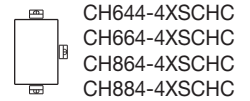
Construction

- Enclosure and cover are fabricated from (16) gauge, Type 304 or Type 316L stainless steel
- All continuous welded seams are finished smooth
- Cover is secured to the body with a stainless steel continuous hinge and pin on one side and easy-to-operate stainless steel screw clamps mounted to the opposite side
- Cover has a seamless poured in place gasket
- Ground stud provided on cover
- #10-32 weld nuts are provided for mounting optional panel
- External mounting feet are provided for secure wall mounting

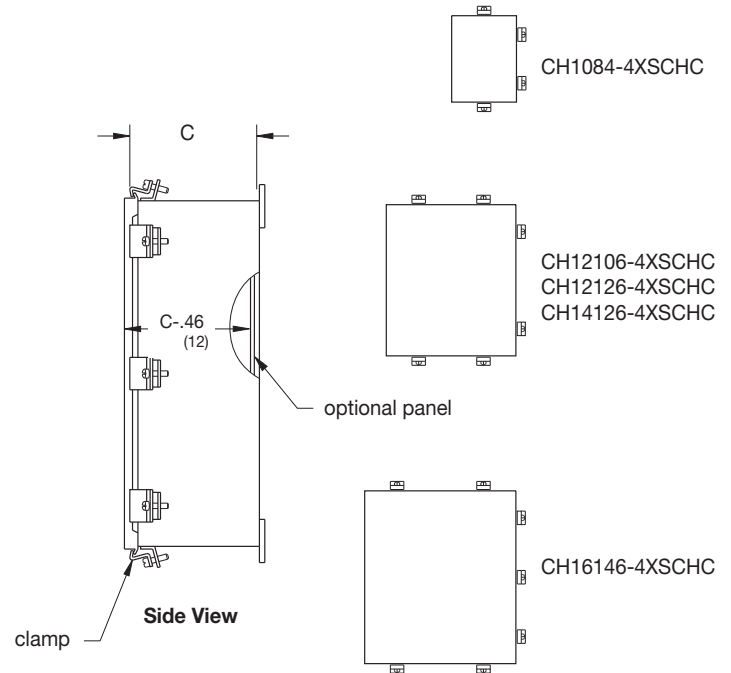
Type 4X Panel Enclosures

JIC Enclosures Type 4X Continuous Hinge Cover Illustration Sheet and Catalog Number

Enclosure Catalog #		Enclosure Size Height x Width x Depth AxBxC		D		E		F		Panel Catalog #		Panel Size Height x Width	
Type 304	Type 316L	in.	mm.	in.	mm.	in.	mm.	in.	mm.	Steel	Conductive	in.	mm.
CH644-4XSCHC	CH644-4XSS6CHC	6.00 x 4.00 x 4.00	152 x 102 x 102	3.00	76	-	-	2.00	51	CHAW64P	CHAW64GP	4.87 x 2.87	124 x 73
CH664-4XSCHC	CH664-4XSS6CHC	6.00 x 6.00 x 4.00	152 x 152 x 102	3.00	76	-	-	3.00	76	CHAW66P	CHAW66GP	4.87 x 4.87	124 x 124
CH864-4XSCHC	CH864-4XSS6CHC	8.00 x 6.00 x 4.00	203 x 152 x 102	4.00	102	-	-	3.00	76	CHAW86P	CHAW86GP	6.87 x 4.87	174 x 124
CH884-4XSCHC	CH884-4XSS6CHC	8.00 x 8.00 x 4.00	203 x 203 x 102	4.00	102	-	-	4.00	102	CHAW88P	CHAW88GP	6.87 x 6.87	174 x 174
CH1084-4XSCHC	CH1084-4XSS6CHC	10.00 x 8.00 x 4.00	254 x 203 x 102	2.00	51	-	-	4.00	102	CHAW108P	CHAW108GP	8.87 x 6.87	225 x 174
CH12106-4XSCHC	CH12106-4XSS6CHC	12.00 x 10.00 x 6.00	305 x 254 x 152	3.00	76	-	-	2.00	51	CHAW1210P	CHAW1210GP	10.87 x 8.87	276 x 225
CH12126-4XSCHC	CH12126-4XSS6CHC	12.00 x 12.00 x 6.00	305 x 305 x 152	3.00	76	-	-	3.00	76	CHAW1212P	CHAW1212GP	10.87 x 10.87	276 x 276
CH14126-4XSCHC	CH14126-4XSS6CHC	14.00 x 12.00 x 6.00	356 x 305 x 152	3.00	76	-	-	3.00	76	CHAW1412P	CHAW1412GP	12.87 x 10.87	327 x 276
CH16146-4XSCHC	CH16146-4XSS6CHC	16.00 x 14.00 x 6.00	406 x 356 x 152	2.00	51	8.00	203	3.00	76	CHAW1614P	CHAW1614GP	14.87 x 12.87	376 x 327



Front View



Cover Clamp Layout

Type 4X Panel Enclosures

Notes: Dimensions are in inches. Millimeters shown are for reference only. Data subject to change without notice.

Type 4X Panel Enclosures

JIC Enclosures

Type 4X Continuous Hinge Cover, Aluminum

Data Sheet



Seamless, poured in place gasket

Application

- Houses electrical controls and instruments
- Intended for indoor or outdoor use where a corrosive environment exists
- Protects against corrosion, windblown dust and rain, splashing water and hose directed water

Standards

- UL 508 Listed, Type 4, Type 4X, Type 12 and Type 13
- CSA C22.2 No. 94 Certified, Type 4, Type 4X, Type 12 and Type 13
- Conforms to NEMA Standard for Type 4, Type 4X, Type 12 and Type 13
- Conforms to JIC Standard EGP-1-1967
- Meets NEMA 3R requirements

Finish

- Cover and sides of body have a smooth #4 brushed finish

Accessories

- Panels
- JIC terminal strap kit
- JIC terminal strip kit
- Terminal blocks
- See Accessories section

Construction

- Enclosure and cover are fabricated from (14) gauge, Type 5052-H32 aluminum
- All continuous welded seams are finished smooth
- Cover is secured to the body with an aluminum continuous hinge and pin on one side and easy-to-operate stainless steel screw clamps mounted to the opposite side
- Cover has a seamless poured in place gasket
- #10-32 weld nuts are provided for mounting optional panel
- External mounting feet are provided for secure wall mounting

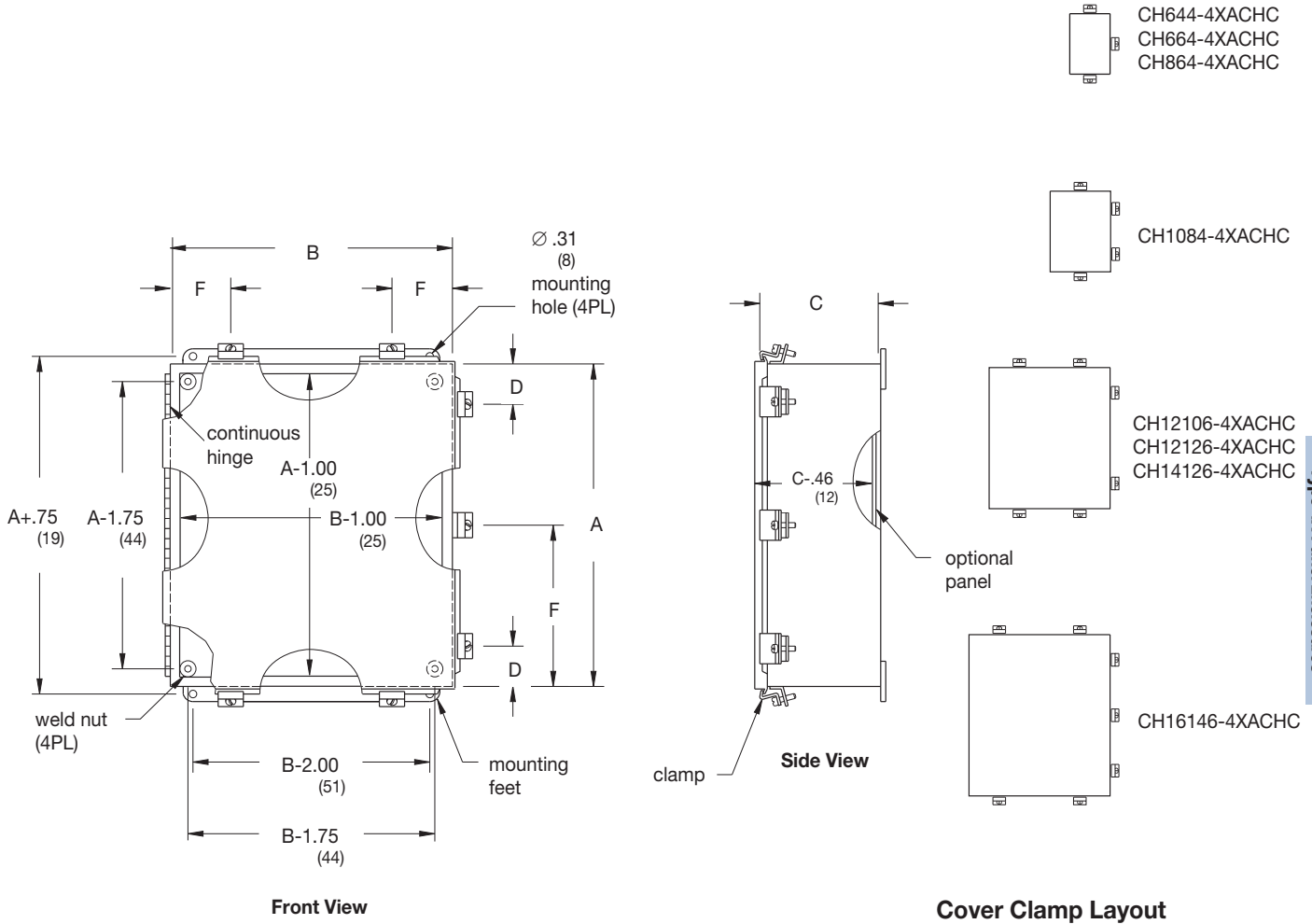
Type 4X Panel Enclosures

JIC Enclosures

Type 4X Continuous Hinge Cover, Aluminum

Illustration Sheet and Catalog Number

Enclosure Catalog #	Enclosure Size Height x Width x Depth AxBxC		D		E		F		Panel Catalog #		Panel Size Height x Width	
	in.	mm.	in.	mm.	in.	mm.	in.	mm.	Steel	Conductive	in.	mm.
CH644-4XACHC	6.00 x 4.00 x 4.00	152 x 102 x 102	3.00	76	-	-	2.00	51	CHAW64P	CHAW64GP	4.87 x 2.87	124 x 73
CH664-4XACHC	6.00 x 6.00 x 4.00	152 x 152 x 102	3.00	76	-	-	3.00	76	CHAW66P	CHAW66GP	4.87 x 4.87	124 x 124
CH864-4XACHC	8.00 x 6.00 x 4.00	203 x 152 x 102	4.00	102	-	-	3.00	76	CHAW86P	CHAW86GP	6.87 x 4.87	174 x 124
CH1084-4XACHC	10.00 x 8.00 x 4.00	254 x 203 x 102	2.00	51	-	-	4.00	102	CHAW108P	CHAW108GP	8.87 x 6.87	225 x 174
CH12106-4XACHC	12.00 x 10.00 x 6.00	305 x 254 x 152	3.00	76	-	-	2.00	51	CHAW1210P	CHAW1210GP	10.87 x 8.87	276 x 225
CH12126-4XACHC	12.00 x 12.00 x 6.00	305 x 305 x 152	3.00	76	-	-	3.00	76	CHAW1212P	CHAW1212GP	10.87 x 10.87	276 x 276
CH14126-4XACHC	14.00 x 12.00 x 6.00	356 x 305 x 152	3.00	76	-	-	3.00	76	CHAW1412P	CHAW1412GP	12.87 x 10.87	327 x 276
CH16146-4XACHC	16.00 x 14.00 x 6.00	406 x 356 x 152	2.00	51	8.00	203	3.00	76	CHAW1614P	CHAW1614GP	14.87 x 12.87	378 x 327



Notes: Dimensions are in inches. Millimeters shown are for reference only. Data subject to change without notice.

Type 4X Panel Enclosures

JIC Enclosures

Type 4X Continuous Hinge Cover with Quarter-Turn Latches

Data Sheet



Application

- Houses electrical controls and instruments
- Intended for indoor or outdoor use where a corrosive environment exists
- Protects against windblown dust and rain, splashing water and hose directed water

Standards

- UL 508 Listed, Type 3R, Type 4, Type 4X, Type 12
- CSA C22.2 No. 94 Certified, Type 3R, Type 4, Type 4X and Type 12
- Conforms to NEMA Standards for Type 3, Type 3R, Type 4, Type 4X and Type 12
- Conforms to JIC Standards EGP-1-1967
- Meets NEMA 3R requirements

Finish

- Cover and sides of body have a smooth #4 brushed finish

Accessories

- Panels
- Swing-out panel kits
- JIC terminal kits
- Window kits
- Locks and latches

Construction

- Enclosure and cover are fabricated from (16) gauge stainless steel
- All continuous welded seams are finished smooth
- Stainless steel continuous hinge and pin
- Slotted quarter-turn flush latch(es)
- Cover has a seamless poured in place gasket
- Ground stud provided on cover
- #10-32 weld nuts are provided for mounting optional panel
- External mounting feet

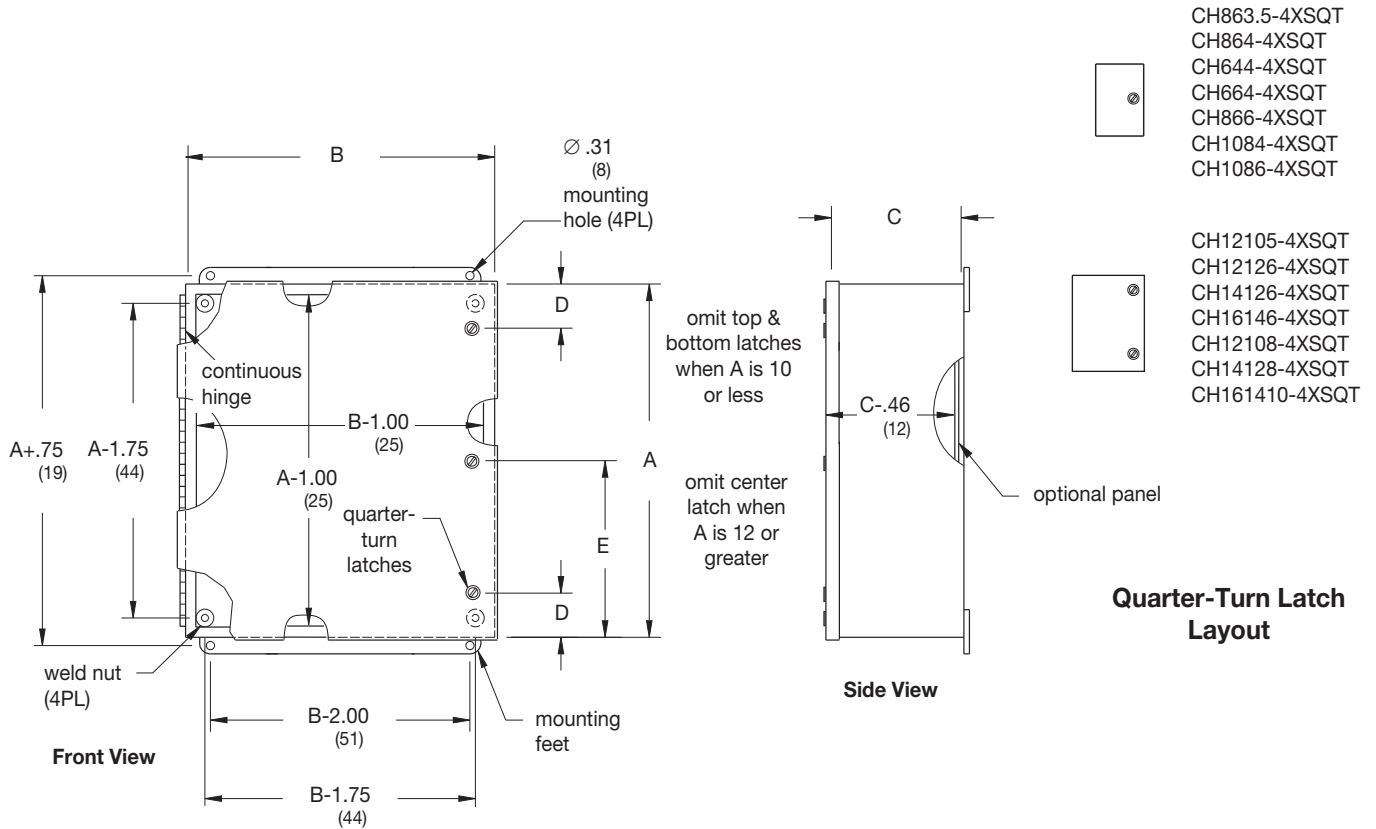
Type 4X Panel Enclosures

JIC Enclosures

Type 4X Continuous Hinge Cover with Quarter-Turn Latches

Illustration Sheet and Catalog Number

Enclosure Catalog #	Enclosure Size Height x Width x Depth AxBxC		D		E		Panel Catalog #		Panel Size Height x Width	
	in.	mm.	in.	mm.	in.	mm.	Steel	Conductive	in.	mm.
CH644-4XSQT	6.00 x 4.00 x 4.00	152 x 102 x 102	-	-	3	76	CHAW64P	CHAW64GP	4.87 x 2.87	124 x 73
CH664-4XSQT	6.00 x 6.00 x 4.00	152 x 152 x 102	-	-	3	76	CHAW66P	CHAW66GP	4.87 x 4.87	124 x 124
CH863.5-4XSQT	8.00 x 6.00 x 3.50	203 x 152 x 89	-	-	4	101	CHAW86P	CHAW86GP	6.87 x 4.87	174 x 124
CH864-4XSQT	8.00 x 6.00 x 4.00	203 x 152 x 102	-	-	4	101	CHAW86P	CHAW86GP	6.87 x 4.87	174 x 124
CH1084-4XSQT	10.00 x 8.00 x 4.00	254 x 203 x 102	-	-	5	127	CHAW108P	CHAW108GP	8.87 x 6.87	225 x 174
CH12105-4XSQT	12.00 x 10.00 x 5.00	305 x 254 x 127	3	76	-	-	CHAW1210P	CHAW1210GP	10.87 x 8.87	276 x 174
CH866-4XSQT	8.00 x 6.00 x 6.00	203 x 152 x 152	-	-	4	101	CHAW86P	CHAW86GP	6.87 x 4.87	174 x 124
CH1086-4XSQT	10.00 x 8.00 x 6.00	254 x 203 x 152	-	-	5	127	CHAW108P	CHAW108GP	8.87 x 6.87	225 x 174
CH12126-4XSQT	12.00 x 12.00 x 6.00	305 x 305 x 152	3	76	-	-	CHAW1212P	CHAW1212GP	10.87 x 10.87	276 x 276
CH14126-4XSQT	14.00 x 12.00 x 6.00	355 x 305 x 152	3	76	-	-	CHAW1412P	CHAW1412GP	12.87 x 10.87	327 x 276
CH16146-4XSQT	16.00 x 14.00 x 6.00	406 x 355 x 152	3	76	-	-	CHAW1614P	CHAW1614GP	14.87 x 12.87	378 x 276
CH12108-4XSQT	12.00 x 10.00 x 8.00	305 x 254 x 203	3	76	-	-	CHAW1210P	CHAW1210GP	10.87 x 8.87	276 x 225
CH14128-4XSQT	14.00 x 12.00 x 8.00	355 x 305 x 203	3	76	-	-	CHAW1412P	CHAW1412GP	12.87 x 10.87	327 x 276
CH161410-4XSQT	16.00 x 14.00 x 10.00	406 x 355 x 254	3	76	-	-	CHAW1614P	CHAW1614GP	14.87 x 12.87	378 x 327



Notes: Dimensions are in inches. Millimeters shown are for reference only. Data subject to change without notice.