

# Type 4X Panel Enclosures

## Ground-Mount Enclosures Type 4X Single-Door Free-Standing Data Sheet



### Application

- Houses electrical controls and instruments
- Easy access fixed or swing panels for mounting optional equipment
- Intended for indoor or outdoor use
- Protects against corrosion, windblown dust and rain, splashing water and hose directed water

### Standards

- UL 508 Listed, Type 4, Type 4X and Type 12
- CSA C22.2 No. 94 Certified, Type 4, Type 4X and Type 12
- Conforms to NEMA Standard for Type 4, Type 4X and Type 12
- E.I.A. RS-310-D

### Finish

- Door and sides of body have a smooth #4 brushed finish

### Accessories

- Full and half panels
- Side and swing panels
- Channel mounting hardware
- Equipment rack mounts
- Touch-up paint
- See Accessories section

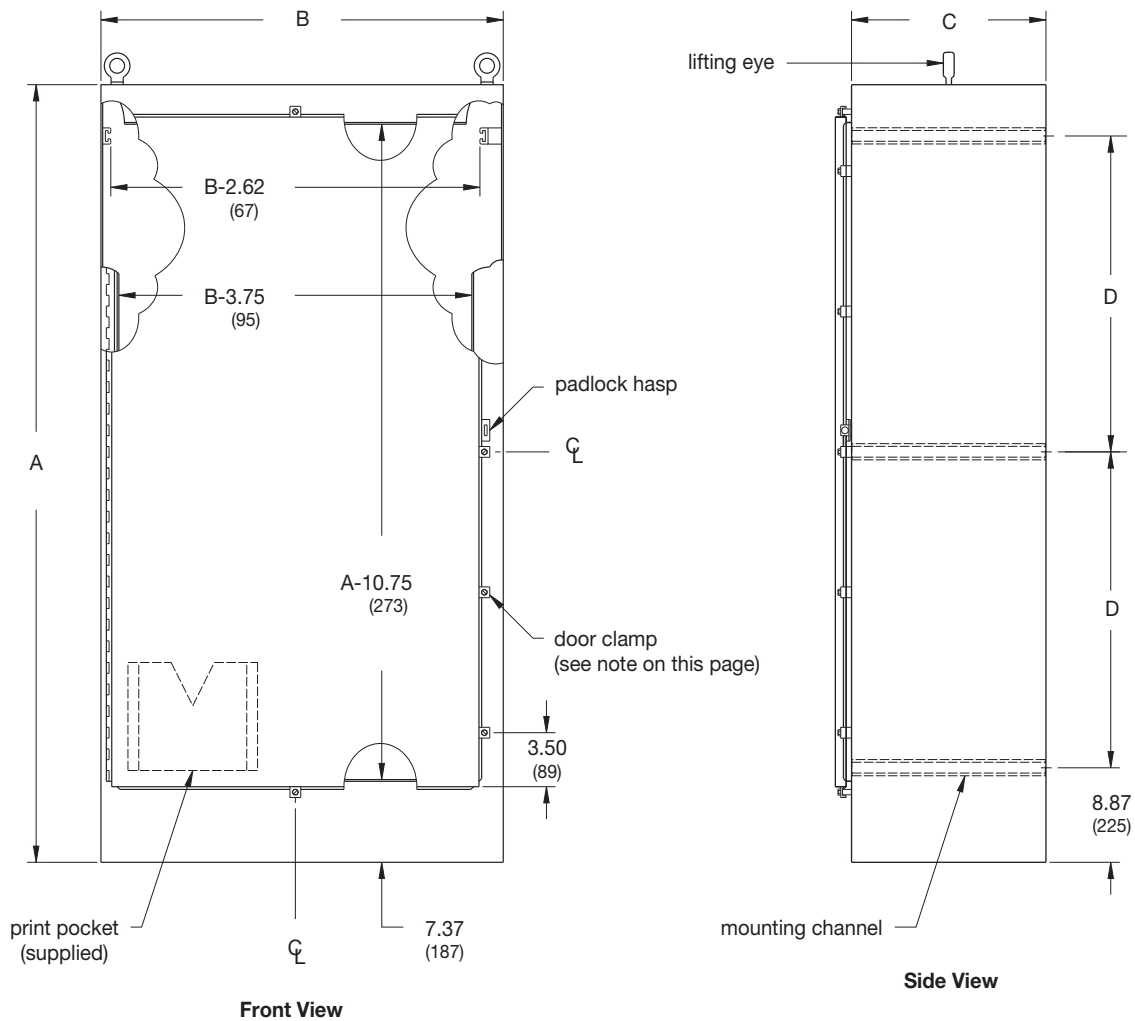
### Construction

- Enclosure and door are fabricated from (12) gauge, Type 304 or Type 316L stainless steel
- All continuous welded seams are finished smooth
- Doors are secured to the body with a heavy duty, stainless steel continuous hinge on one side and easy-to-release stainless steel door clamps mounted to the other three sides
- Door has a seamless poured in place gasket
- Ground stud provided on door
- Each door has a padlock hasp with sealing hole provision
- Print pocket provided
- Large lifting eyebolts are supplied
- Mounting channels are welded inside for locating panels or rack mount equipment along enclosure depth
- A variety of optional panels and accessories are available

# Type 4X Panel Enclosures

## Ground-Mount Enclosures Type 4X Single-Door Free-Standing Catalog Number and Illustration Sheet

| Enclosure Catalog # |                  | Enclosure Size<br>Height x Width x Depth<br>AxBxC |                  | D     |     |
|---------------------|------------------|---|------------------|-------|-----|
| Type 304            | Type 316L        | in.   | mm.              | in.   | mm. |
| CH722518-4XSFS      | CH722518-4XSS6FS | 72.00 x 25.00 x 18.00                             | 1829 x 635 x 457 | 29.12 | 740 |
| CH723118-4XSFS      | CH723118-4XSS6FS | 72.00 x 31.00 x 18.00                             | 1829 x 787 x 457 | 29.12 | 740 |
| CH723718-4XSFS      | CH723718-4XSS6FS | 72.00 x 37.00 x 18.00                             | 1829 x 940 x 457 | 29.12 | 740 |
| CH722524-4XSFS      | CH722524-4XSS6FS | 72.00 x 25.00 x 24.00                             | 1829 x 635 x 610 | 29.12 | 740 |
| CH723124-4XSFS      | CH723124-4XSS6FS | 72.00 x 31.00 x 24.00                             | 1829 x 787 x 610 | 29.12 | 740 |
| CH723724-4XSFS      | CH723724-4XSS6FS | 72.00 x 37.00 x 24.00                             | 1829 x 940 x 610 | 29.12 | 740 |



**Notes:** Clamps are mounted along three sides of the enclosure door. Spacing between clamps along side opposite the hinge does not exceed 15 inches. Four lifting eyes are furnished when C dimension is 24". Dimensions are in inches. Millimeters shown are for reference only. Data subject to change without notice.

# Type 4X Panel Enclosures

## Ground-Mount Enclosures

### Type 4X Single-Door Free-Standing with Quarter-Turn Latches

Data Sheet and Catalog Number



#### Application

- Houses electrical controls and instruments
- Easy access panels or rack mounts for housing optional equipment
- Intended for indoor or outdoor use
- Protects against corrosion, windblown dust and rain, splashing water and hose directed water

#### Standards

- UL 508 Listed, Type 3R, Type 4, Type 4X and Type 12
- CSA C22.2 No. 94 Certified, Type 3R, Type 4, Type 4X and Type 12
- Conforms to NEMA Standard for Type 3, Type 3R, Type 4, Type 4X and Type 12
- Meets NEMA Type 3R requirements
- E.I.A. RS-310-D

#### Finish

- Door and sides of body have a smooth #4 brushed finish

#### Accessories

- Full and half panels
- Side and swing panels
- Panel support kit
- Panel lifting kit
- Channel mounting hardware
- Equipment rack mounts
- Lights
- Window kits

#### Construction

- Enclosure and doors are fabricated from (12) gauge stainless steel
- All continuous welded seams are finished smooth
- Heavy duty stainless steel continuous hinges and pins
- Slotted quarter-turn flush latch(es)
- Door has a seamless poured in place gasket
- Formed lip around enclosure opening diverts liquids and contaminants
- Ground stud provided on door
- Print pocket provided
- Mounting channels are welded inside for locating panels or rack mount equipment along enclosure depth
- Provision for mounting fluorescent light
- Large lifting eyebolts

| Enclosure Catalog # | Enclosure Size<br>Height x Width x Depth<br>AxBxC |                  | D     |     |
|---------------------|---|------------------|-------|-----|
|                     | in.   | mm.              | in.   | mm. |
| Type 304            |   |                  |       |     |
| CH722418-4XSFSQT    | 72.00 x 24.00 x 18.00                             | 1829 x 609 x 457 | 29.12 | 740 |
| CH723024-4XSFSQT    | 72.00 x 30.00 x 24.00                             | 1829 x 762 x 609 | 29.12 | 740 |
| CH723624-4XSFSQT    | 72.00 x 36.00 x 24.00                             | 1829 x 914 x 609 | 29.12 | 740 |

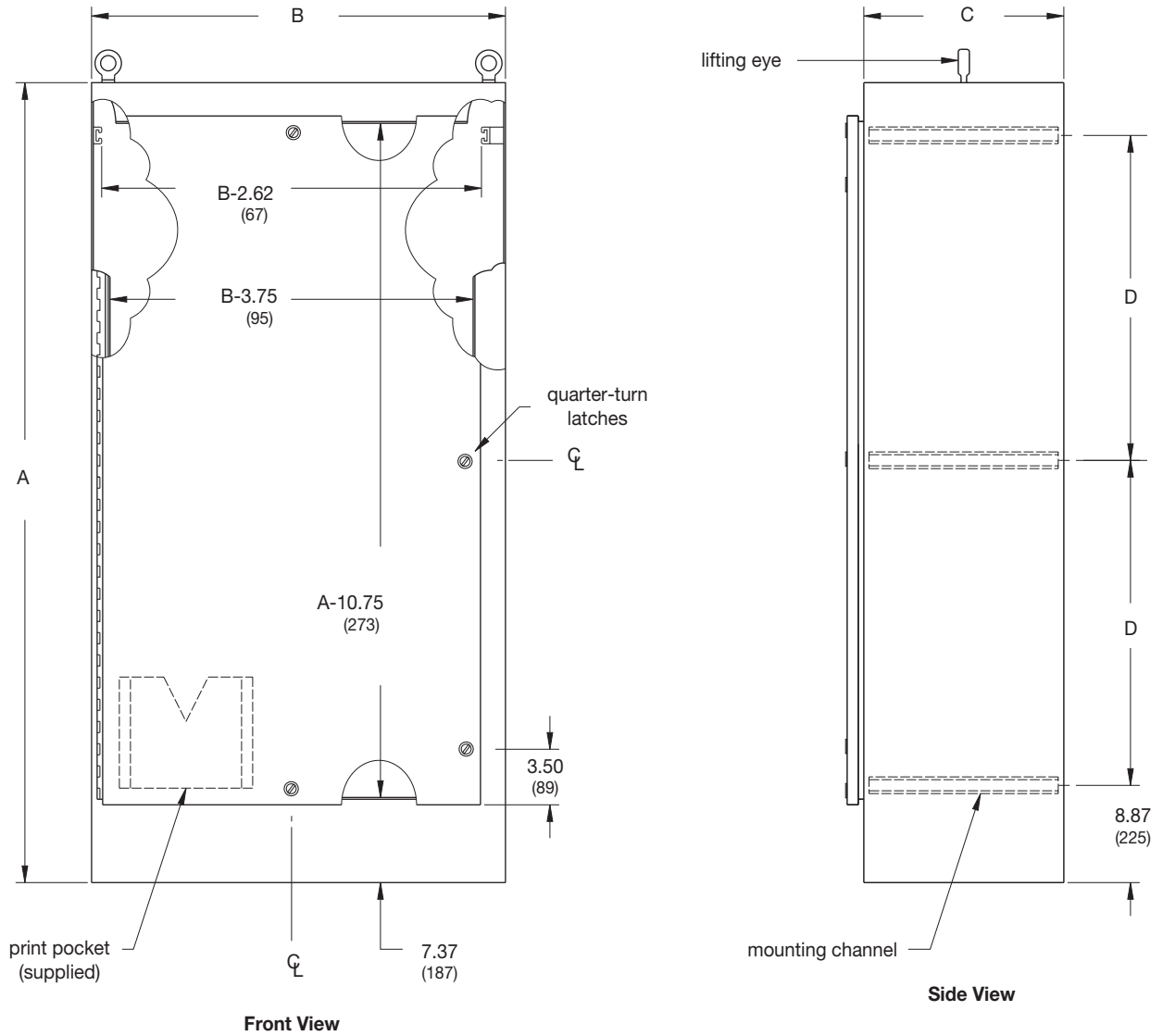
**Notes:** Dimensions are in inches. Millimeters shown are for reference only. Data subject to change without notice.

# Type 4X Panel Enclosures

## Ground-Mount Enclosures

### Type 4X Single-Door Free-Standing with Quarter-Turn Latches

#### Illustration Sheet



**Notes:** Four lifting eyes are furnished when C dimension is 24".  
Dimensions are in inches. Millimeters shown are for reference only. Data subject to change without notice.

# Type 4X Panel Enclosures

## Ground-Mount Enclosures

### Type 4X Single-Door Free-Standing with 3-Point Locking

#### Data Sheet



#### Application

- Houses electrical controls and instruments
- Easy access panels or rack mounts for housing optional equipment
- Intended for indoor or outdoor use
- Protects against corrosion, windblown dust and rain, splashing water and hose directed water

#### Standards

- UL 508 Listed, Type 3R, Type 4, Type 4X and Type 12
- CSA C22.2 No. 94 Certified, Type 3R, Type 4, Type 4X and Type 12
- Conforms to NEMA Standard for Type 3, Type 3R, Type 4, Type 4X and Type 12
- Meets NEMA Type 3R requirements
- E.I.A. RS-310-D

#### Finish

- Door and sides of body have a smooth #4 brushed finish

#### Accessories

- Full and half panels
- Side and swing panels
- Panel support kit
- Panel lifting kit
- Channel mounting hardware
- Equipment rack mounts
- Lights
- Window kits
- Replacement handle

#### Construction

- Enclosure and doors are fabricated from (12) gauge stainless steel
- All continuous welded seams are finished smooth
- Heavy duty stainless steel continuous hinges and pins
- Internal 3-point latching with stainless padlocking handles
- Door has a seamless poured in place gasket
- Formed lip around enclosure opening diverts liquids and contaminants
- Ground stud provided on door
- Print pocket provided
- Mounting channels are welded inside for locating panels or rack mount equipment along enclosure depth
- Provision for mounting fluorescent light
- Large lifting eyebolts

**Notes:** Dimensions are in inches. Millimeters shown are for reference only. Data subject to change without notice.

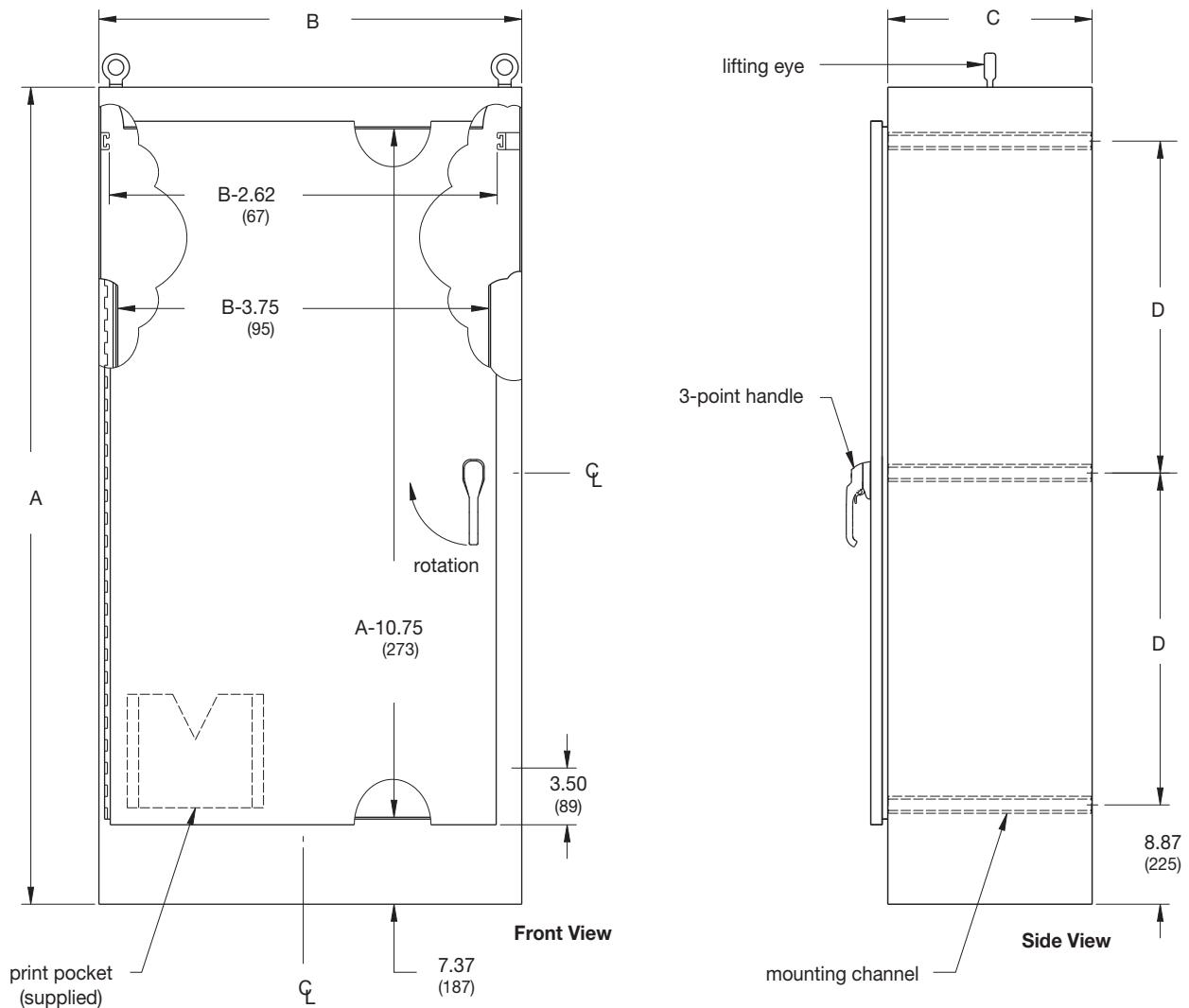
# Type 4X Panel Enclosures

## Ground-Mount Enclosures

### Type 4X Single-Door Free-Standing with 3-Point Locking

#### Illustration Sheet and Catalog Number

| Enclosure Catalog # | Enclosure Size<br>Height x Width x Depth<br>AxBxC |                  | D     |     |
|---------------------|---|------------------|-------|-----|
|                     | in.   | mm.              | in.   | mm. |
| Type 304            |   |                  |       |     |
| CH602418-4XSFS3PT   | 60.00 x 24.00 x 18.00                             | 1524 x 609 x 457 | 23.12 | 587 |
| CH722418-4XSFS3PT   | 72.00 x 24.00 x 18.00                             | 1829 x 609 x 457 | 29.12 | 739 |
| CH723018-4XSFS3PT   | 72.00 x 30.00 x 18.00                             | 1829 x 762 x 457 | 29.12 | 739 |
| CH723618-4XSFS3PT   | 72.00 x 36.00 x 18.00                             | 1829 x 914 x 457 | 29.12 | 739 |
| CH902420-4XSFS3PT   | 90.00 x 24.00 x 20.00                             | 2286 x 609 x 508 | 38.12 | 968 |
| CH903620-4XSFS3PT   | 90.00 x 36.00 x 20.00                             | 2286 x 914 x 508 | 38.12 | 968 |
| CH603624-4XSFS3PT   | 60.00 x 36.00 x 24.00                             | 1524 x 914 x 609 | 23.12 | 587 |
| CH722424-4XSFS3PT   | 72.00 x 24.00 x 24.00                             | 1829 x 609 x 609 | 29.12 | 739 |
| CH723024-4XSFS3PT   | 72.00 x 30.00 x 24.00                             | 1829 x 762 x 609 | 29.12 | 739 |
| CH723624-4XSFS3PT   | 72.00 x 36.00 x 24.00                             | 1829 x 914 x 609 | 29.12 | 739 |
| CH903624-4XSFS3PT   | 90.00 x 36.00 x 24.00                             | 2286 x 914 x 609 | 38.12 | 968 |
| CH723630-4XSFS3PT   | 72.00 x 36.00 x 30.00                             | 1829 x 914 x 762 | 29.12 | 739 |
| CH723636-4XSFS3PT   | 72.00 x 36.00 x 36.00                             | 1829 x 914 x 914 | 29.12 | 739 |
| CH903636-4XSFS3PT   | 90.00 x 36.00 x 36.00                             | 2286 x 914 x 914 | 38.12 | 968 |



**Notes:** Four lifting eyes are furnished when C dimension is 24". Dimensions are in inches. Millimeters shown are for reference only. Data subject to change without notice.

# Type 4X Panel Enclosures

## Ground-Mount Enclosures

### Type 4X Single-Door Dual Access Free-Standing with 3-Point Locking

#### Data Sheet



#### Application

- Houses electrical controls and instruments
- Easy access panels or rack mounts for housing optional equipment
- Intended for indoor or outdoor use
- Protects against corrosion, windblown dust and rain, splashing water and hose directed water

#### Standards

- UL 508 Listed, Type 3R, Type 4, Type 4X and Type 12
- CSA C22.2 No. 94 Certified, Type 3R, Type 4, Type 4X and Type 12
- Conforms to NEMA Standard for Type 3, Type 3R, Type 4, Type 4X and Type 12
- E.I.A. RS-310-D
- Meets NEMA Type 3R requirements

#### Finish

- Door and sides of body have a smooth #4 brushed finish

#### Accessories

- Full and half panels
- Side and swing panels
- Panel support kit
- Panel lifting kit
- Channel mounting hardware
- Equipment rack mounts
- Lights
- Window kits
- Replacement handle

#### Construction

- Enclosure and doors are fabricated from (12) gauge stainless steel
- All continuous welded seams are finished smooth
- Heavy duty stainless steel continuous hinges and pins
- Internal 3-point latching with stainless padlocking handles
- Doors have a seamless poured in place gasket
- Formed lip around enclosure openings to divert liquids and contaminants
- Dual-access construction available for back-to-back panel and equipment mounting
- Ground studs provided on doors
- Print pockets provided
- Mounting channels are welded inside for locating panels or rack mount equipment along enclosure depth
- Provisions for mounting fluorescent light
- Large lifting eyebolts

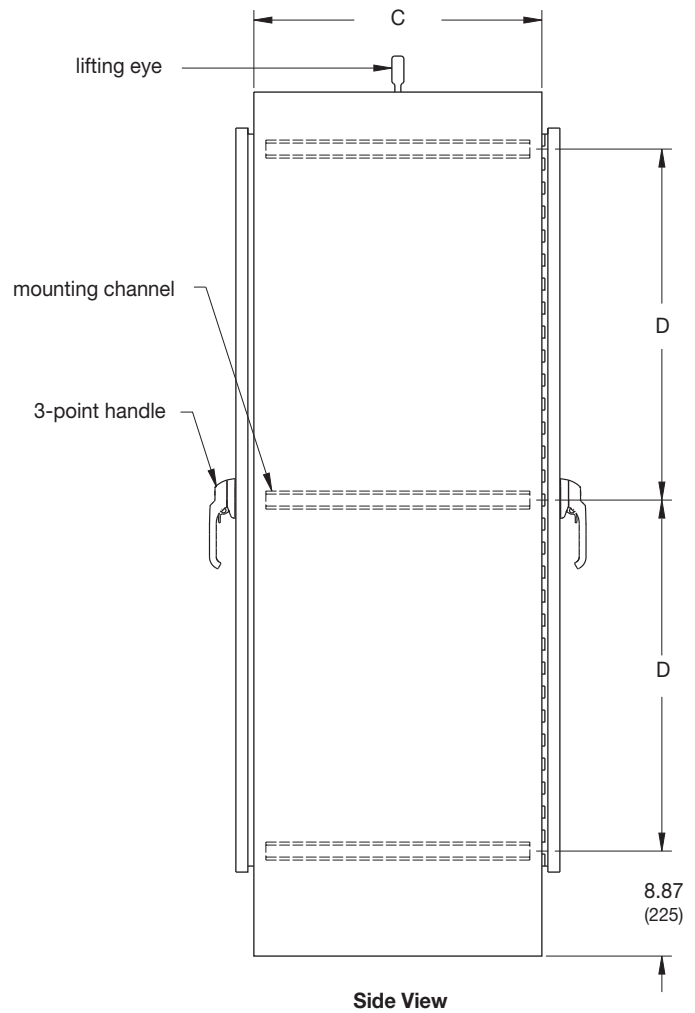
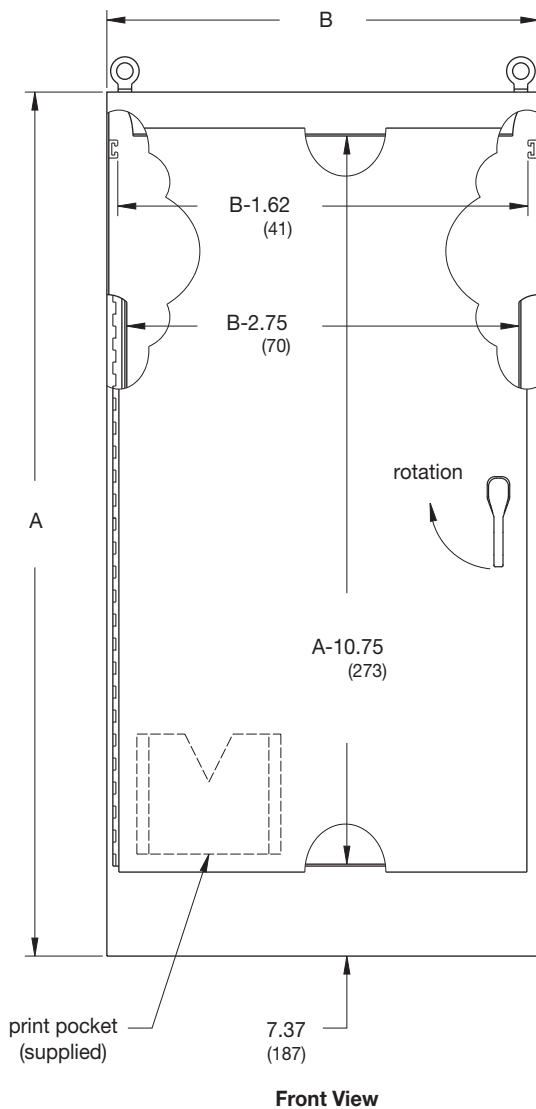
# Type 4X Panel Enclosures

## Ground-Mount Enclosures

### Type 4X Single-Door Dual-Access Free-Standing with 3-Point Locking

#### Illustration Sheet and Catalog Number

| Enclosure<br>Catalog # | Enclosure Size<br>Height x Width x Depth<br>AxBxC |                  | D     |     |
|------------------------|---|------------------|-------|-----|
|                        | in.   | mm.              | in.   | mm. |
| CH722424-4XSFDA3PT     | 72.00 x 24.00 x 24.00                             | 1829 x 609 x 609 | 29.12 | 739 |
| CH723024-4XSFDA3PT     | 72.00 x 30.00 x 24.00                             | 1829 x 762 x 609 | 29.12 | 739 |
| CH723624-4XSFDA3PT     | 72.00 x 36.00 x 24.00                             | 1829 x 914 x 609 | 29.12 | 739 |
| CH903624-4XSFDA3PT     | 90.00 x 36.00 x 24.00                             | 2286 x 914 x 609 | 38.12 | 968 |
| CH722430-4XSFDA3PT     | 72.00 x 24.00 x 30.00                             | 1829 x 609 x 762 | 29.12 | 739 |
| CH722436-4XSFDA3PT     | 72.00 x 24.00 x 36.00                             | 1829 x 609 x 914 | 29.12 | 739 |
| CH723636-4XSFDA3PT     | 72.00 x 36.00 x 36.00                             | 1829 x 914 x 914 | 29.12 | 739 |
| CH903636-4XSFDA3PT     | 90.00 x 36.00 x 36.00                             | 2286 x 914 x 914 | 38.12 | 968 |



Type 4X Panel Enclosures

**Notes:** Four lifting eyes are furnished when C dimension is 24".  
Dimensions are in inches. Millimeters shown are for reference only. Data subject to change without notice.



# Type 4X Panel Enclosures

## Ground-Mount Enclosures

### Type 4X Double-Door Free-Standing with 3-Point Locking

#### Data Sheet



#### Application

- Houses electrical controls and instruments
- Easy access panels or rack mounts for housing optional equipment
- Intended for indoor or outdoor use
- Protects against corrosion, windblown dust and rain, splashing water and hose directed water

#### Standards

- UL 508 Listed, Type 3R, Type 4, Type 4X and Type 12
- CSA C22.2 No. 94 Certified, Type 3R, Type 4, Type 4X and Type 12
- Conforms to NEMA Standard for Type 3, Type 3R, Type 4 and Type 4X, Type 12
- Meets NEMA Type 3R requirements
- E.I.A. RS-310-D

#### Finish

- Doors and sides of body have a smooth #4 brushed finish

#### Accessories

- Full and half panels
- Side and swing panels
- Panel support kit
- Panel lifting kit
- Channel mounting hardware
- Equipment rack mounts
- Lights
- Window kits
- Replacement handle

#### Construction

- Enclosure and doors are fabricated from (12) gauge stainless steel
- All continuous welded seams are finished smooth
- Heavy duty stainless steel continuous hinges and pins
- Internal 3-point latching with stainless padlocking handles
- Doors have a seamless poured in place gasket
- Formed lip around enclosure openings to diverts liquids and contaminants
- Ground studs provided on doors
- Removable center post for easy panel installation
- Print pockets provided
- Mounting channels are welded inside for locating panels or rack mount equipment along enclosure depth
- Provisions for mounting fluorescent light
- Large lifting eyebolts

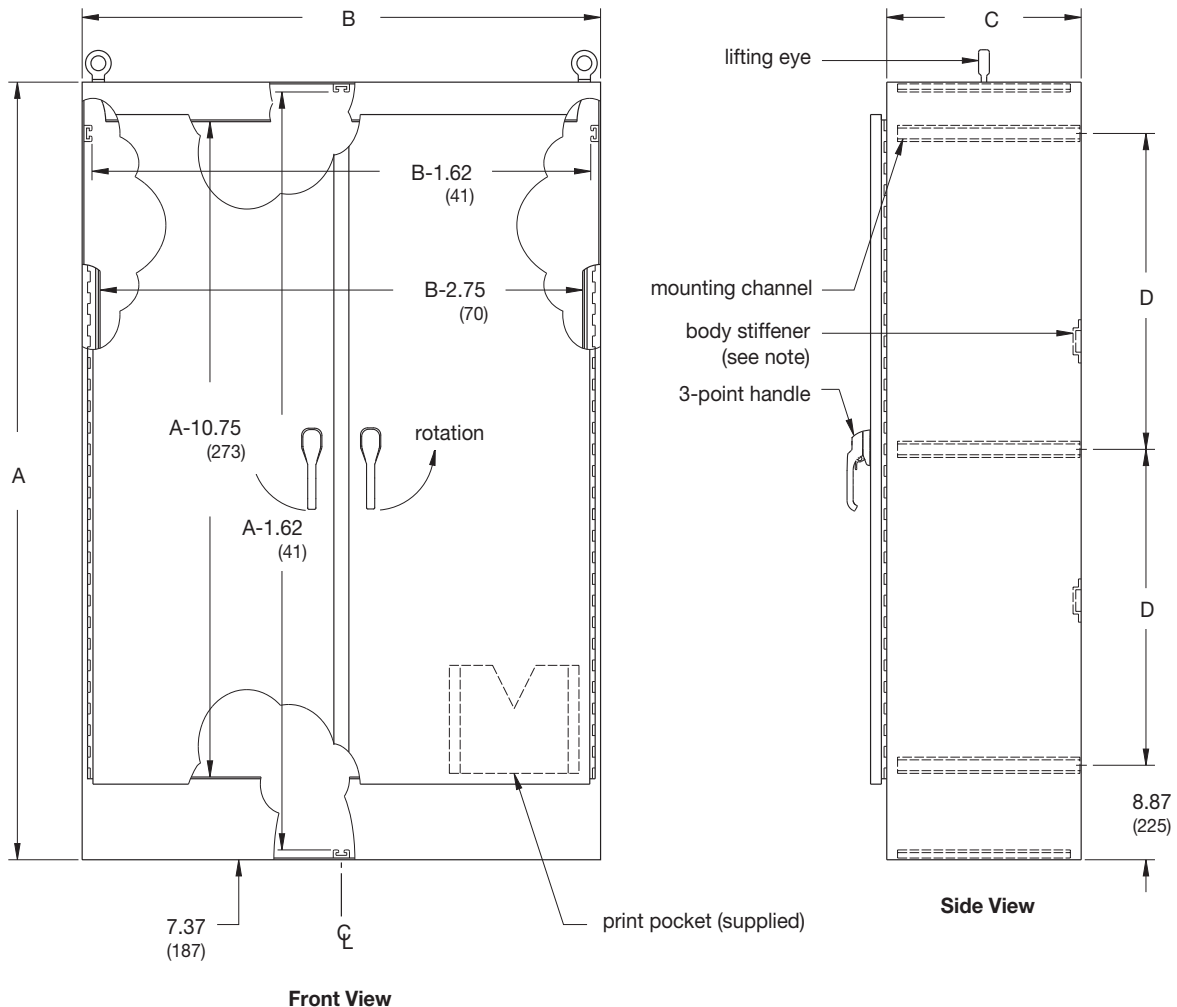
# Type 4X Panel Enclosures

## Ground-Mount Enclosures

### Type 4X Double-Door Free-Standing with 3-Point Locking

#### Illustration Sheet and Catalog Number

| Enclosure<br>Catalog # | Enclosure Size<br>Height x Width x Depth<br>AxBxC |                   | D     |     |
|------------------------|---|-------------------|-------|-----|
|                        | in.   | mm.               | in.   | mm. |
| CH604818-4XSFS3PT      | 60.00 x 48.00 x 18.00                             | 1524 x 1219 x 457 | 23.12 | 587 |
| CH724818-4XSFS3PT      | 72.00 x 48.00 x 18.00                             | 1829 x 1219 x 457 | 29.12 | 739 |
| CH726018-4XSFS3PT      | 72.00 x 60.00 x 18.00                             | 1829 x 1524 x 457 | 29.12 | 739 |
| CH727218-4XSFS3PT      | 72.00 x 72.00 x 18.00                             | 1829 x 1829 x 457 | 29.12 | 739 |
| CH904820-4XSFS3PT      | 90.00 x 48.00 x 20.00                             | 2286 x 1219 x 508 | 38.12 | 968 |
| CH907220-4XSFS3PT      | 90.00 x 72.00 x 20.00                             | 2286 x 1829 x 508 | 38.12 | 968 |
| CH724824-4XSFS3PT      | 72.00 x 48.00 x 24.00                             | 1829 x 1219 x 609 | 29.12 | 739 |
| CH726024-4XSFS3PT      | 72.00 x 60.00 x 24.00                             | 1829 x 1524 x 609 | 29.12 | 739 |
| CH727224-4XSFS3PT      | 72.00 x 72.00 x 24.00                             | 1829 x 1829 x 609 | 29.12 | 739 |
| CH907224-4XSFS3PT      | 90.00 x 72.00 x 24.00                             | 2286 x 1829 x 609 | 38.12 | 968 |
| CH726036-4XSFS3PT      | 72.00 x 60.00 x 36.00                             | 1829 x 1524 x 914 | 29.12 | 739 |
| CH907236-4XSFS3PT      | 90.00 x 72.00 x 36.00                             | 2286 x 1829 x 914 | 38.12 | 968 |



**Notes:** Four lifting eyes are furnished when C dimension is 24".  
 Dimensions are in inches. Millimeters shown are for reference only. Data subject to change without notice.

Type 4X Panel Enclosures

# Type 4X Panel Enclosures

## Ground-Mount Enclosures

### Type 4X Double-Door Dual Access Free-Standing with 3-Point Locking

#### Data Sheet



#### Finish

- Doors and sides of body have a smooth #4 brushed finish

#### Accessories

- Full and half panels
- Side and swing panels
- Panel support kit
- Panel lifting kit
- Channel mounting hardware
- Equipment rack mounts
- Lights
- Window kits
- Replacement handle

#### Construction

- Enclosure and doors are fabricated from (12) gauge stainless steel
- All continuous welded seams are finished smooth
- Heavy duty stainless steel continuous hinges and pins
- Internal 3-point latching with stainless padlock handles
- Doors have a seamless poured in place gasket
- Formed lip around enclosure openings to divert liquids and contaminants
- Ground studs provided on doors
- Removable center post for easy panel installation
- Dual-access construction available for back-to-back panel and equipment mounting
- Print pockets provided
- Mounting channels are welded inside for locating panels or rack mount equipment along enclosure depth
- Provisions for mounting fluorescent light
- Large lifting eyebolts

#### Application

- Houses electrical controls and instruments
- Easy access panels or rack mounts for housing optional equipment
- Intended for indoor or outdoor use
- Protects against corrosion, windblown dust and rain, splashing water and hose directed water

#### Standards

- UL 508 Listed, Type 3R, Type 4, Type 4X and Type 12
- CSA C22.2 No. 94 Certified, Type 3R, Type 4, Type 4X and Type 12
- Conforms to NEMA Standard for Type 3R, Type 4, Type 4X and Type 12
- Meets NEMA Type 3R requirements
- E.I.A. RS-310-D

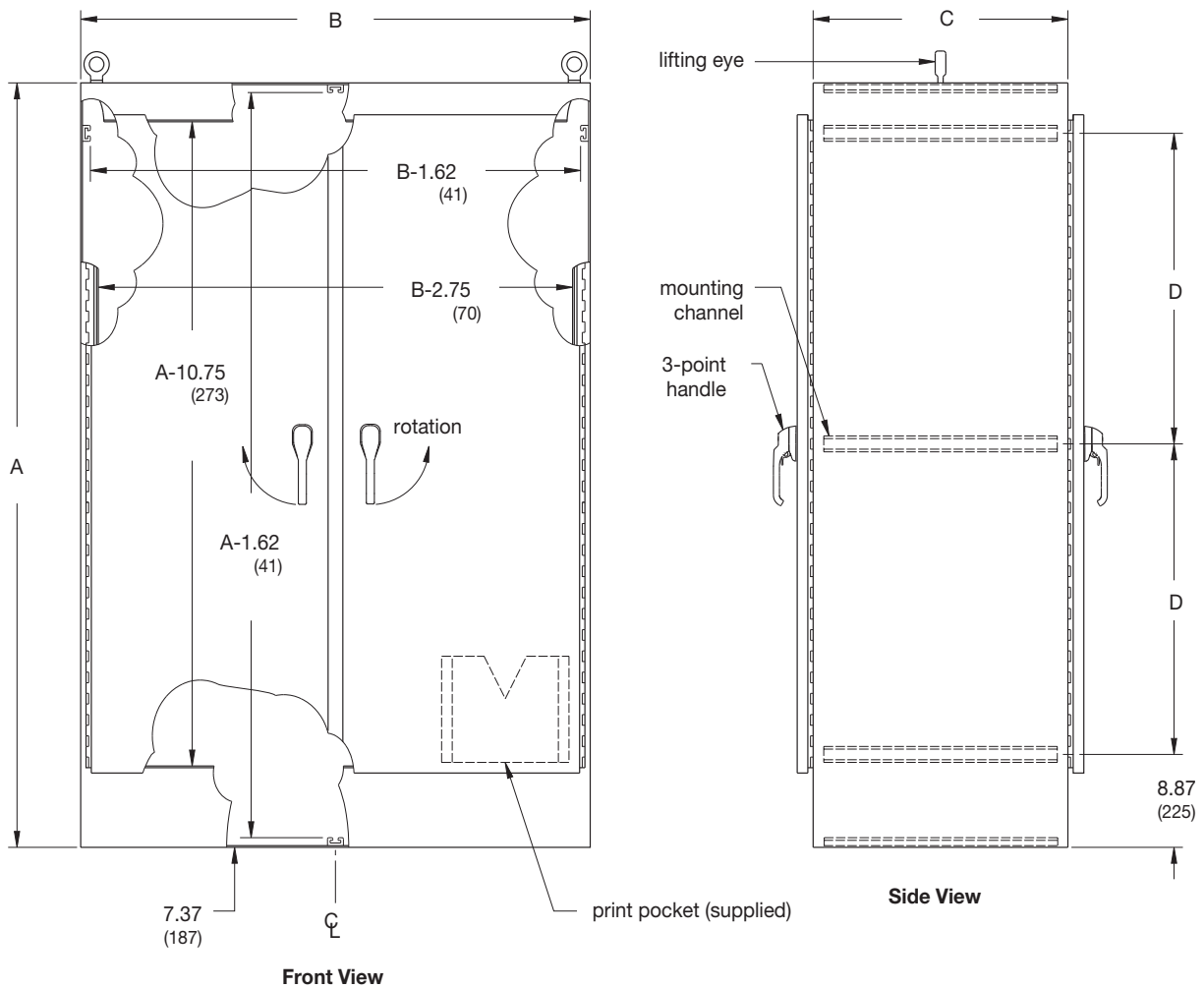
# Type 4X Panel Enclosures

## Ground-Mount Enclosures

### Type 4X Double-Door Dual-Access Free-Standing with 3-Point Locking

Illustration Sheet and Catalog Number

| Enclosure<br>Catalog # | Enclosure Size<br>Height x Width x Depth<br>AxBxC |                   | D     |     |
|------------------------|---|-------------------|-------|-----|
|                        | in.   | mm.               | in.   | mm. |
| CH724824-4XSFSDDA3PT   | 72.00 x 48.00 x 24.00                             | 1829 x 1219 x 609 | 29.12 | 739 |
| CH726024-4XSFSDDA3PT   | 72.00 x 60.00 x 24.00                             | 1829 x 1524 x 609 | 29.12 | 739 |
| CH727224-4XSFSDDA3PT   | 72.00 x 72.00 x 24.00                             | 1829 x 1829 x 609 | 29.12 | 739 |
| CH907224-4XSFSDDA3PT   | 90.00 x 72.00 x 24.00                             | 2286 x 1829 x 609 | 38.12 | 968 |
| CH726036-4XSFSDDA3PT   | 72.00 x 60.00 x 36.00                             | 1829 x 1524 x 914 | 29.12 | 739 |



**Notes:** Four lifting eyes are furnished when C dimension is 24".  
 Dimensions are in inches. Millimeters shown are for reference only. Data subject to change without notice.

Type 4X Panel Enclosures

# Type 4X Panel Enclosures

## Free-Standing Enclosure Accessories

### Type 4X Single-Door

### Full and Half Panel

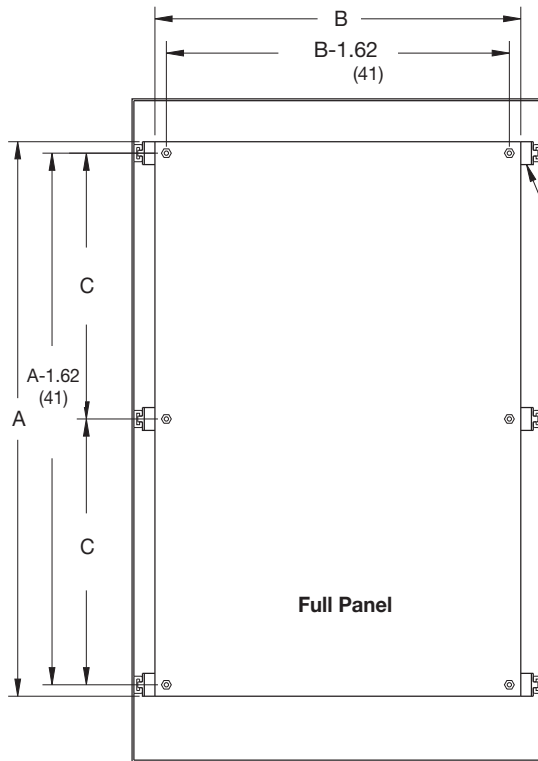
### Illustration Sheet and Catalog Number

#### Full Panel (Single-Door)

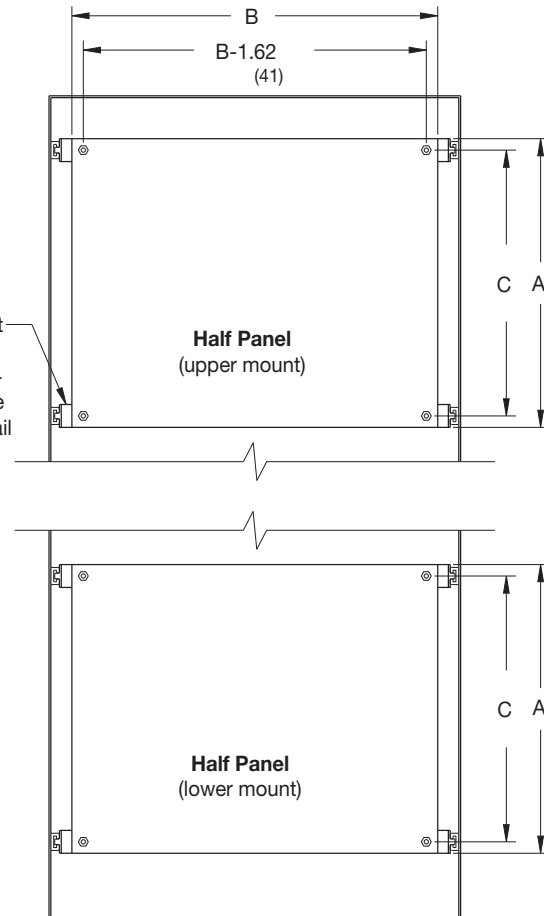
| Panel<br>Catalog # | Panel Size<br>Height x Width<br>AxB |            | C     |     | Fits Enclosure<br>Height x Width |            |
|--------------------|-------------------------------------|------------|-------|-----|----------------------------------|------------|
|                    | in.                                 | mm.        | in.   | mm. | in.                              | mm.        |
| CHAF6024P          | 47.87 x 19.87                       | 1216 x 505 | 23.12 | 587 | 60.00 x 24.00                    | 1524 x 610 |
| CHAF6036P          | 47.87 x 31.87                       | 1216 x 809 | 23.12 | 587 | 60.00 x 36.00                    | 1524 x 914 |
| CHAF7224P          | 59.87 x 19.87                       | 1521 x 505 | 29.12 | 740 | 72.00 x 24.00                    | 1829 x 610 |
| CHAF7230P          | 59.87 x 25.87                       | 1521 x 657 | 29.12 | 740 | 72.00 x 30.00                    | 1829 x 762 |
| CHAF7236P          | 59.87 x 31.87                       | 1521 x 809 | 29.12 | 740 | 72.00 x 36.00                    | 1829 x 914 |
| CHAF9024P          | 77.87 x 19.87                       | 1978 x 505 | 38.12 | 968 | 90.00 x 24.00                    | 2286 x 610 |
| CHAF9036P          | 77.87 x 31.87                       | 1978 x 809 | 38.12 | 968 | 90.00 x 36.00                    | 2286 x 914 |

#### Half Panel (Single-Door)

| Panel<br>Catalog # | Panel Size<br>Height x Width<br>AxB |            | C     |     | Fits Enclosure<br>Height x Width |            |
|--------------------|-------------------------------------|------------|-------|-----|----------------------------------|------------|
|                    | in.                                 | mm.        | in.   | mm. | in.                              | mm.        |
| CHAF6024HP         | 24.75 x 19.87                       | 629 x 505  | 23.12 | 587 | 60.00 x 24.00                    | 1524 x 610 |
| CHAF6036HP         | 24.75 x 31.87                       | 629 x 809  | 23.12 | 587 | 60.00 x 36.00                    | 1524 x 914 |
| CHAF7224HP         | 30.75 x 19.87                       | 781 x 505  | 29.12 | 587 | 72.00 x 24.00                    | 1829 x 610 |
| CHAF7230HP         | 30.75 x 25.87                       | 781 x 657  | 29.12 | 587 | 72.00 x 30.00                    | 1829 x 762 |
| CHAF7236HP         | 30.75 x 31.87                       | 781 x 809  | 29.12 | 587 | 72.00 x 36.00                    | 1829 x 914 |
| CHAF9024HP         | 39.75 x 19.87                       | 1010 x 505 | 38.12 | 968 | 90.00 x 24.00                    | 2286 x 610 |
| CHAF9036HP         | 39.75 x 31.87                       | 1010 x 809 | 38.12 | 968 | 90.00 x 36.00                    | 2286 x 914 |



Full Panel Mounting



Half Panel Mounting

**Note:** Full and half panel for single-door, single and dual-access enclosures are (12) gauge steel and furnished with panel side brackets and all hardware necessary for channel and panel mounting. Half panels can be mounted in either the upper or lower portion of the enclosure. Free-standing design permits the panel to adjust along the depth of the enclosure. With dual-access enclosures, full and half panels can be mounted back-to-back.

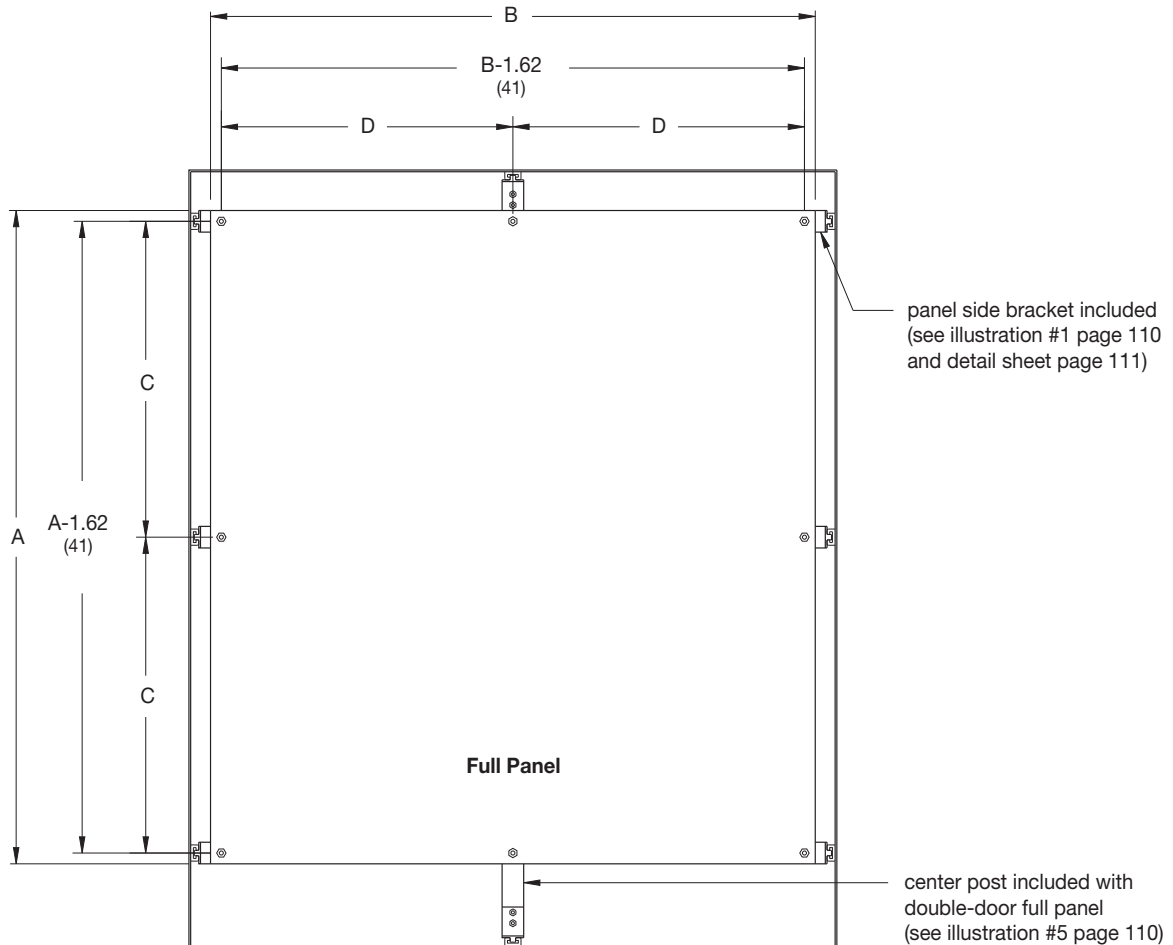
**Notes:** Dimensions are in inches. Millimeters shown are for reference only. Data subject to change without notice.

# Type 4X Panel Enclosures

## Free-Standing Enclosure Accessories Type 4X Double-Door Full Panel

### Illustration Sheet and Catalog Number

| Panel<br>Catalog # | Panel Size<br>Height x Width<br>Ax B |             | C     |     | D     |     | Fits Enclosure<br>Height x Width |             |
|--------------------|--------------------------------------|-------------|-------|-----|-------|-----|----------------------------------|-------------|
|                    | in.                                  | mm.         | in.   | mm. | in.   | mm. | in.                              | mm.         |
| CHAF6048P          | 47.87 x 43.87                        | 1216 x 1114 | 23.12 | 587 | 21.12 | 530 | 60.00 x 48.00                    | 1524 x 1219 |
| CHAF6060P          | 47.87 x 55.87                        | 1216 x 1419 | 23.12 | 587 | 27.12 | 689 | 60.00 x 60.00                    | 1524 x 1524 |
| CHAF7248P          | 59.87 x 43.87                        | 1521 x 1114 | 29.12 | 740 | 21.12 | 530 | 72.00 x 48.00                    | 1829 x 1219 |
| CHAF7260P          | 59.87 x 55.87                        | 1521 x 1419 | 29.12 | 740 | 27.12 | 689 | 72.00 x 60.00                    | 1829 x 1524 |
| CHAF7272P          | 59.87 x 67.87                        | 1521 x 1724 | 29.12 | 740 | 33.12 | 841 | 72.00 x 72.00                    | 1829 x 1829 |
| CHAF9048P          | 77.87 x 43.87                        | 1978 x 1114 | 38.12 | 968 | 21.12 | 530 | 90.00 x 48.00                    | 2286 x 1219 |
| CHAF9072P          | 77.87 x 67.87                        | 1978 x 1724 | 38.12 | 968 | 33.12 | 841 | 90.00 x 72.00                    | 2286 x 1829 |



### Full Panel Mounting

**Notes:** Full panel for double-door, single and dual-access enclosures are (10) gauge steel and furnished with panel brackets, center post assembly, panel handle kit and all hardware necessary for channel and panel mounting. The center post assembly offers additional support of panel and equipment. Free-standing design permits the panel to adjust along the depth of the enclosure. With dual-access enclosures, full and half panels can be mounted back-to-back.

**Notes:** Dimensions are in inches. Millimeters shown are for reference only. Data subject to change without notice.

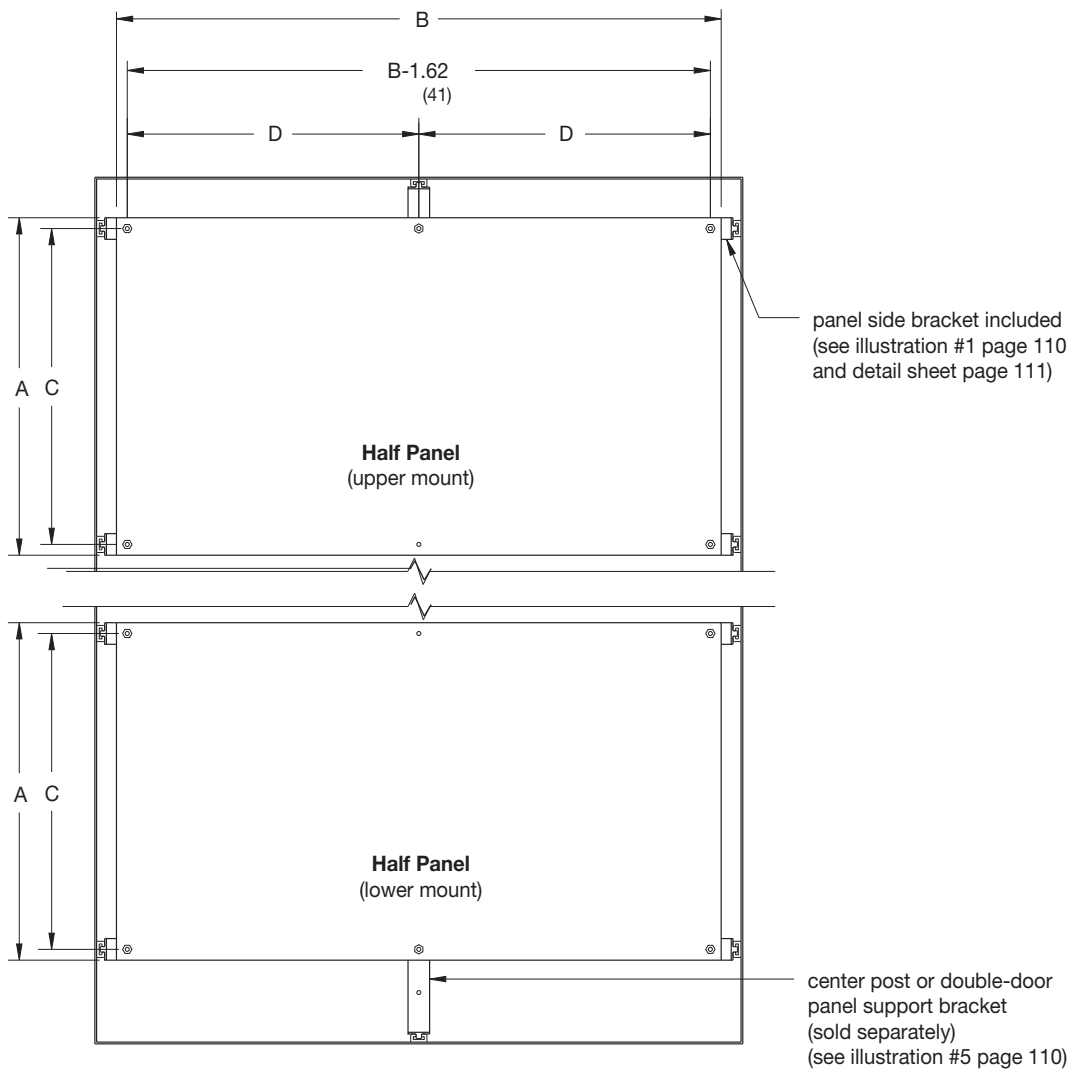
# Type 4X Panel Enclosures

## Free-Standing Enclosure Accessories

### Type 4X Double-Door, Half Panel

#### Illustration Sheet and Catalog Number

| Panel<br>Catalog # | Panel Size<br>Height x Width<br>AxB |             | C     |     | D     |     | Fits Enclosure<br>Height x Width |             |
|--------------------|-------------------------------------|-------------|-------|-----|-------|-----|----------------------------------|-------------|
|                    | in.                                 | mm.         | in.   | mm. | in.   | mm. | in.                              | mm.         |
| CHAF6048HP         | 24.75 x 43.87                       | 629 x 1114  | 23.12 | 587 | 21.12 | 536 | 60.00 x 48.00                    | 1524 x 1219 |
| CHAF7248HP         | 30.75 x 43.87                       | 781 x 1114  | 29.12 | 740 | 21.12 | 536 | 72.00 x 48.00                    | 1829 x 1219 |
| CHAF7260HP         | 30.75 x 55.87                       | 781 x 1419  | 29.12 | 740 | 7.12  | 181 | 72.00 x 60.00                    | 1829 x 1524 |
| CHAF7272HP         | 30.75 x 67.87                       | 781 x 1724  | 29.12 | 740 | 33.12 | 841 | 72.00 x 72.00                    | 1829 x 1829 |
| CHAF9048HP         | 39.75 x 43.87                       | 1010 x 1114 | 38.12 | 968 | 21.12 | 536 | 90.00 x 48.00                    | 2286 x 1219 |
| CHAF9072HP         | 39.85 x 67.87                       | 1012 x 1724 | 38.12 | 968 | 33.12 | 841 | 90.00 x 72.00                    | 2286 x 1829 |



#### Half Panel Mounting

**Note:** Half panel for double-door, single and dual-access enclosures are (12) gauge steel and furnished with panel brackets and all hardware necessary for channel and panel mounting. **A center post assembly or a double-door panel support bracket (catalog number CHAFSUP2) for additional support of the panel is optional and sold separately.** Free-standing design permits the panel to adjust along the depth of the enclosure. With dual-access enclosures, full and half panels can be mounted back-to-back.

**Notes:** Dimensions are in inches. Millimeters shown are for reference only. Data subject to change without notice.

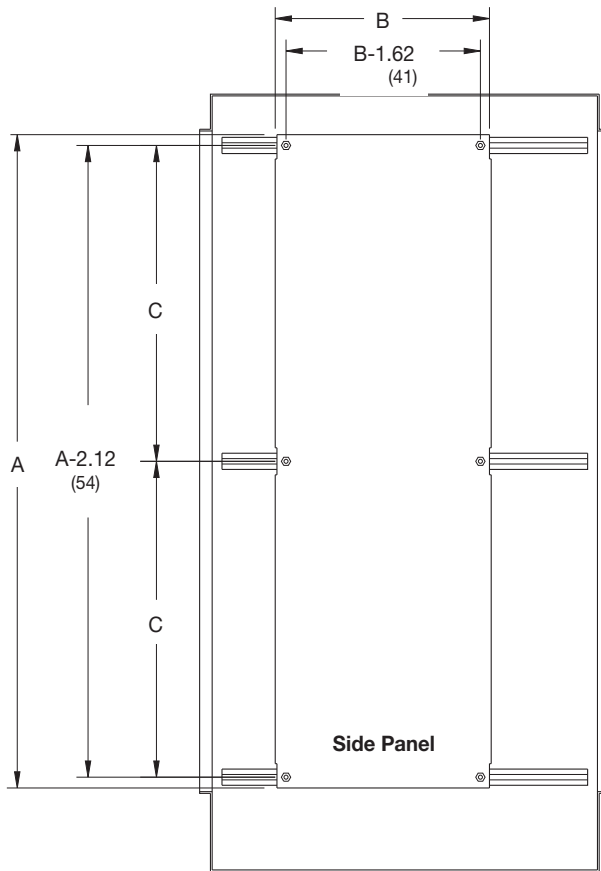
# Type 4X Panel Enclosures

## Free-Standing Enclosure Accessories Type 4X, Side Panel and Center Post Illustration Sheet and Catalog Number

| Panel<br>Catalog # | Panel Size<br>Height x Width<br>AxB |            | C     |     | Fits Enclosure |      |       |     |
|--------------------|-------------------------------------|------------|-------|-----|----------------|------|-------|-----|
|                    | in.                                 | mm.        | in.   | mm. | in.            | mm.  | in.   | mm. |
| CHAF6018SP         | 48.37 x 13.87                       | 1229 x 340 | 23.12 | 587 | 60.00          | 1524 | 18.00 | 457 |
| CHAF7218SP         | 60.37 x 13.87                       | 1533 x 340 | 29.12 | 740 | 72.00          | 1829 | 18.00 | 457 |
| CHAF7224SP         | 60.37 x 19.87                       | 1533 x 505 | 29.12 | 740 | 72.00          | 1829 | 24.00 | 610 |
| CHAF9018SP         | 78.37 x 13.87                       | 1991 x 340 | 38.12 | 968 | 90.00          | 2286 | 18.00 | 457 |
| CHAF9024SP         | 78.37 x 19.87                       | 1991 x 505 | 38.12 | 968 | 90.00          | 2286 | 24.00 | 457 |

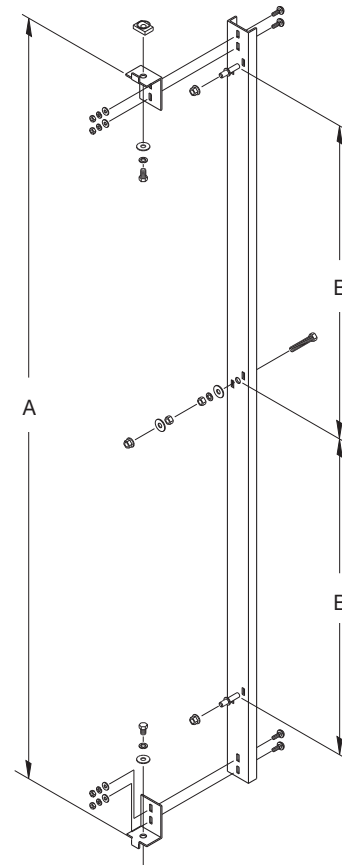
| Center<br>Post<br>Catalog # | A     |      | B     |     | Fits<br>Enclosure<br>Height |      |
|-----------------------------|-------|------|-------|-----|-----------------------------|------|
|                             | in.   | mm.  | in.   | mm. | in.                         | mm.  |
| CHAF60CPS                   | 58.37 | 1483 | 23.12 | 587 | 60.00                       | 1524 |
| CHAF72CPS                   | 70.37 | 1787 | 29.12 | 740 | 72.00                       | 1829 |
| CHAF90CPS                   | 88.37 | 2245 | 38.12 | 968 | 90.00                       | 2286 |

\* Back panels restrict the movement of side panels and will prohibit mounting in some depths. See detail sheet for back panel spacing.



**Side Panel Mounting**

Side panels are (12) gauge steel and furnished with hardware necessary for channel mounting. They will fit any width enclosure and are adjustable along its depth, however, when full or half panels are installed, movement will be restricted and with some depths make side mounting prohibitive.



**Center Post Assembly**

Center post assembly is furnished with all double-door full panels and includes hardware necessary for channel and panel mounting. The center post is optional on double-door half panels and swing panel mounting and must be ordered separately. It attaches to the top and bottom channels making it adjustable along the depth of the enclosure. See illustration #5 on the Detail Sheet on page 110.

**Notes:** Dimensions are in inches. Millimeters shown are for reference only. Data subject to change without notice.



# Type 4X Panel Enclosures

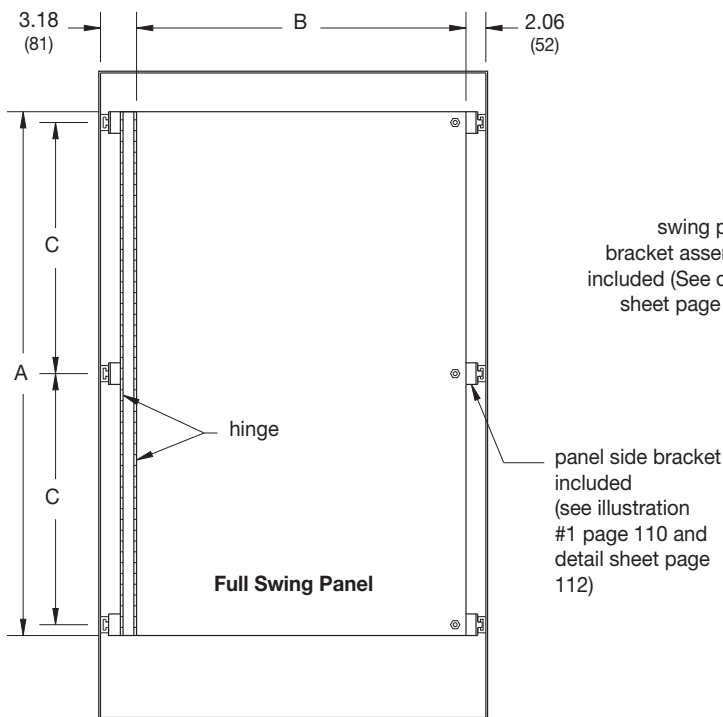
## Free-Standing Enclosure Accessories Type 4X Single-Door, Full and Half Swing Panel Illustration Sheet and Catalog Number

### Full Swing Panel (Single Door)

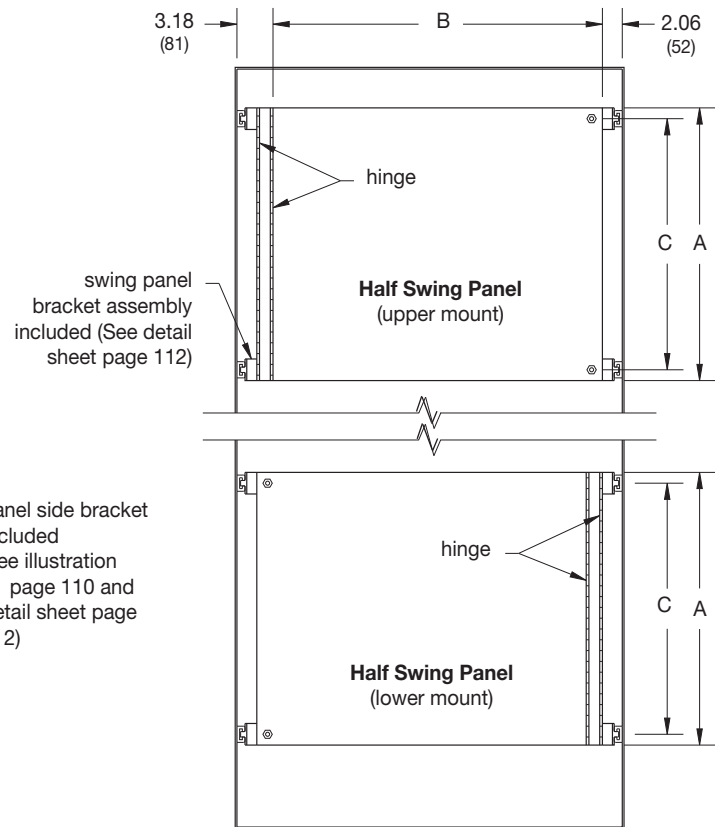
| Panel<br>Catalog # | Panel Size<br>Height x Width<br>AxB |            | C     |     | Fits Enclosure<br>Height x Width |            |
|--------------------|-------------------------------------|------------|-------|-----|----------------------------------|------------|
|                    | in.                                 | mm.        | in.   | mm. | in.                              | mm.        |
| CHAF6024SWP        | 47.87 x 18.75                       | 1216 x 476 | 23.12 | 587 | 60.00 x 24.00                    | 1524 x 610 |
| CHAF6036SWP        | 47.87 x 30.75                       | 1216 x 781 | 23.12 | 587 | 60.00 x 36.00                    | 1524 x 914 |
| CHAF7224SWP        | 59.87 x 18.75                       | 1521 x 476 | 29.12 | 740 | 72.00 x 24.00                    | 1829 x 610 |
| CHAF7230SWP        | 59.87 x 24.75                       | 1521 x 629 | 29.12 | 740 | 72.00 x 30.00                    | 1829 x 762 |
| CHAF7236SWP        | 59.87 x 30.75                       | 1521 x 781 | 29.12 | 740 | 72.00 x 36.00                    | 1829 x 914 |
| CHAF9024SWP        | 77.87 x 18.75                       | 1978 x 476 | 38.12 | 968 | 90.00 x 24.00                    | 2286 x 610 |
| CHAF9036SWP        | 77.87 x 30.75                       | 1978 x 781 | 38.12 | 968 | 90.00 x 36.00                    | 2286 x 914 |

### Half Swing Panel (Single Door)

| Panel<br>Catalog # | Panel Size<br>Height x Width<br>AxB |            | C     |     | Fits Enclosure<br>Height x Width |            |
|--------------------|-------------------------------------|------------|-------|-----|----------------------------------|------------|
|                    | in.                                 | mm.        | in.   | mm. | in.                              | mm.        |
| CHAF6024HSWP       | 24.75 x 18.75                       | 629 x 476  | 23.12 | 587 | 60.00 x 24.00                    | 1524 x 610 |
| CHAF6036HSWP       | 24.75 x 30.75                       | 629 x 781  | 23.12 | 587 | 60.00 x 36.00                    | 1524 x 914 |
| CHAF7224HSWP       | 30.75 x 18.75                       | 781 x 476  | 29.12 | 740 | 72.00 x 24.00                    | 1829 x 610 |
| CHAF7230HSWP       | 30.75 x 24.75                       | 781 x 629  | 29.12 | 740 | 72.00 x 30.00                    | 1829 x 762 |
| CHAF7236HSWP       | 30.75 x 30.75                       | 781 x 781  | 29.12 | 740 | 72.00 x 36.00                    | 1829 x 914 |
| CHAF9024HSWP       | 39.75 x 18.75                       | 1010 x 476 | 38.12 | 968 | 90.00 x 24.00                    | 2286 x 610 |
| CHAF9036HSWP       | 39.75 x 30.75                       | 1010 x 781 | 38.12 | 968 | 90.00 x 36.00                    | 2286 x 914 |



Full Swing Panel Mounting



Half Swing Panel Mounting

**Note:** Full swing panel and half swing panel for single-door, single and dual-access enclosures are (12) gauge steel, have a dual hinge swing panel bracket and furnished with panel brackets and all hardware necessary for channel and panel mounting. Panels can be installed so they hinge on either the left or right side. In addition, half panels can be mounted in either the upper or lower portion of the enclosure. Free-standing design permits the panel to be adjustable along the depth of the enclosure. The dual hinge will allow the inner panel to swing completely out of the door opening when within 5.50 inches of the front. With dual-access enclosures, full and half swing panels can be mounted back-to-back.

# Type 4X Panel Enclosures

## Free-Standing Enclosure Accessories Type 4X Double-Door, Full and Half Swing Panel Illustration Sheet and Catalog Number

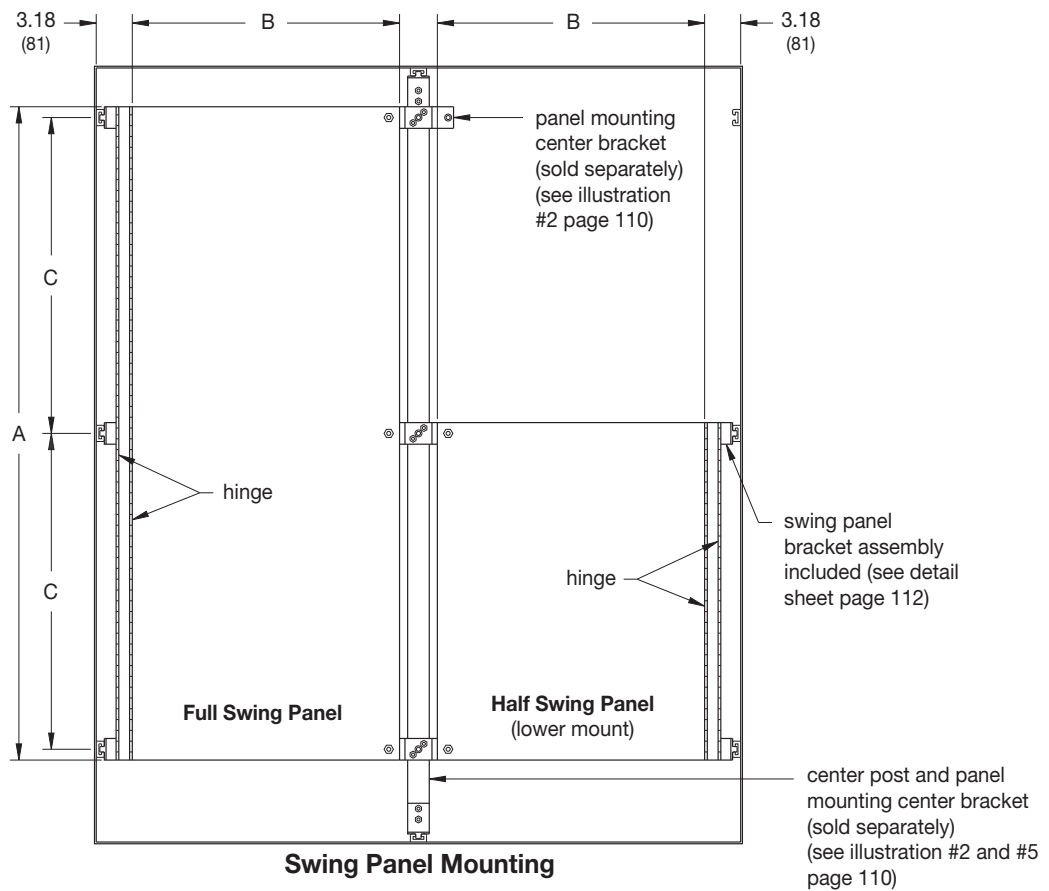
### Full Swing Panel (Single-Door)

| Panel<br>Catalog # | Panel Size<br>Height x Width<br>AxB |            | C     |     | Fits Enclosure<br>Height x Width |             |
|--------------------|-------------------------------------|------------|-------|-----|----------------------------------|-------------|
|                    | in.                                 | mm         | in.   | mm  | in.                              | mm          |
| CHAF6024SWP        | 47.87 x 18.75                       | 1216 x 476 | 23.12 | 587 | 60.00 x 48.00                    | 1524 x 1219 |
| CHAF7224SWP        | 59.87 x 18.75                       | 1521 x 476 | 29.12 | 740 | 72.00 x 48.00                    | 1829 x 1219 |
| CHAF7230SWP        | 59.87 x 24.75                       | 1521 x 629 | 29.12 | 740 | 72.00 x 60.00                    | 1829 x 1524 |
| CHAF7236SWP        | 59.87 x 30.75                       | 1521 x 781 | 29.12 | 740 | 72.00 x 72.00                    | 1829 x 1829 |
| CHAF9024SWP        | 77.87 x 18.75                       | 1978 x 781 | 38.12 | 968 | 90.00 x 48.00                    | 2286 x 1219 |
| CHAF9036SWP        | 77.87 x 30.75                       | 1978 x 781 | 38.12 | 968 | 90.00 x 72.00                    | 2286 x 1829 |

### Half Swing Panel (Single-Door)

| Panel<br>Catalog # | Panel Size<br>Height x Width<br>AxB |            | C     |     | Fits Enclosure<br>Height x Width |             |
|--------------------|-------------------------------------|------------|-------|-----|----------------------------------|-------------|
|                    | in.                                 | mm         | in.   | mm  | in.                              | mm          |
| CHAF6024HSWP       | 24.75 x 18.75                       | 629 x 476  | 23.12 | 587 | 60.00 x 48.00                    | 1524 x 1219 |
| CHAF7224HSWP       | 30.75 x 18.75                       | 781 x 476  | 29.12 | 740 | 72.00 x 48.00                    | 1829 x 1219 |
| CHAF7230HSWP       | 30.75 x 24.75                       | 781 x 629  | 29.12 | 740 | 72.00 x 60.00                    | 1829 x 1524 |
| CHAF7236HSWP       | 30.75 x 30.75                       | 781 x 781  | 29.12 | 740 | 72.00 x 72.00                    | 1829 x 1829 |
| CHAF9024HSWP       | 39.75 x 18.75                       | 1010 x 476 | 38.12 | 968 | 90.00 x 48.00                    | 2286 x 1219 |
| CHAF9036HSWP       | 39.75 x 30.75                       | 1010 x 781 | 38.12 | 968 | 90.00 x 72.00                    | 2286 x 1829 |

A Center post assembly and center bracket must be ordered separately.



**Note:** Full swing panel and half swing panel for double-door, single and dual-access enclosures are (12) gauge steel, have a dual hinge swing panel bracket, and furnished with hardware necessary for side channel mounting. **A center post assembly and center bracket must be ordered separately.** Panels can be installed so they hinge either on the left or right side. In addition, half panels can be mounted in either the upper or lower portion of the enclosure. Free-standing design permits the panel to adjust along the depth of the enclosure. The dual hinge will allow the inner panel to swing completely out of the door opening when within 5.50 inches of the front. With dual-access enclosures, full and half swing panels can be mounted back-to-back.

**Notes:** Dimensions are in inches. Millimeters shown are for reference only. Data subject to change without notice.

# Type 4X Panel Enclosures

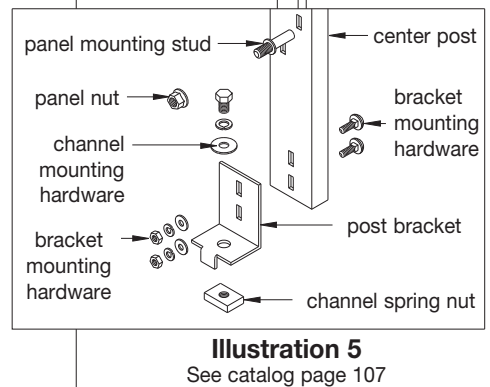
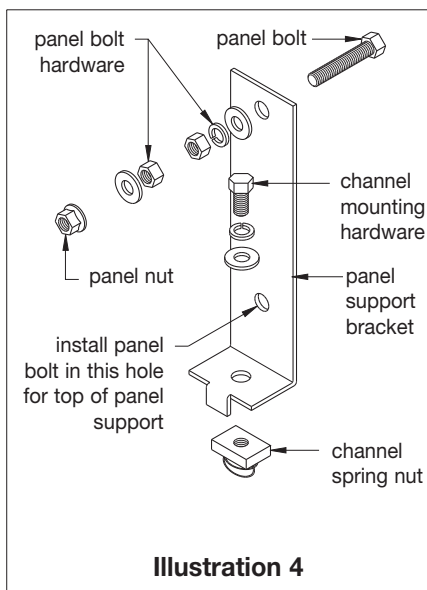
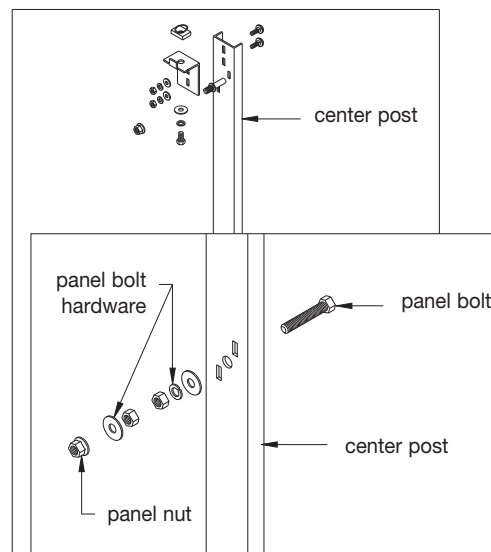
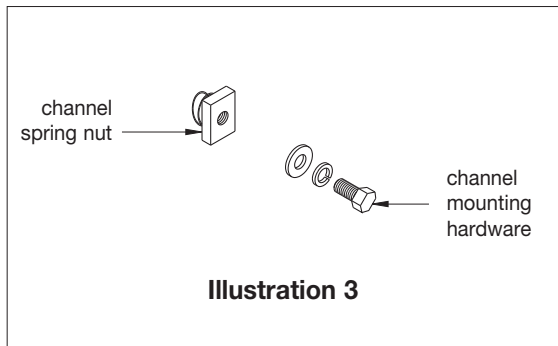
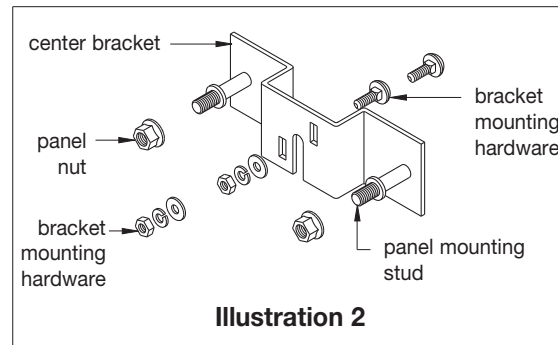
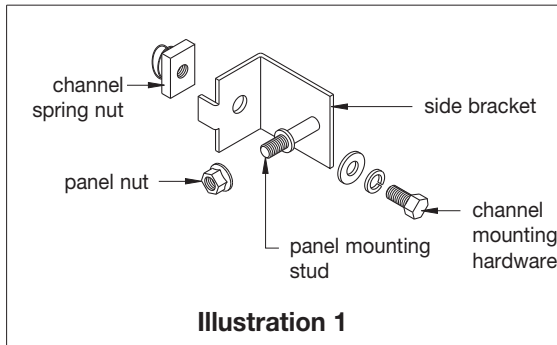
## Free-Standing Enclosure Accessories

### Type 4X

### Miscellaneous Accessories

#### Illustration Sheet and Catalog Number

| Miscellaneous Accessories |                                   |              |          |
|---------------------------|-----------------------------------|--------------|----------|
| Catalog #                 | Description                       | Illustration | Quantity |
| CHAFSBRKT1                | Panel mounting side bracket       | 1            | 1        |
| CHAFCBRKT3                | Panel mounting center bracket     | 2            | 3        |
| CHAFCMH3                  | Channel mounting hardware         | 3            | 3        |
| CHAFPSUP2                 | Double-door panel support bracket | 4            | 2        |
| See page 107              | Center post assembly              | 5            | 1        |



**Notes:** Dimensions are in inches. Millimeters shown are for reference only. Data subject to change without notice.

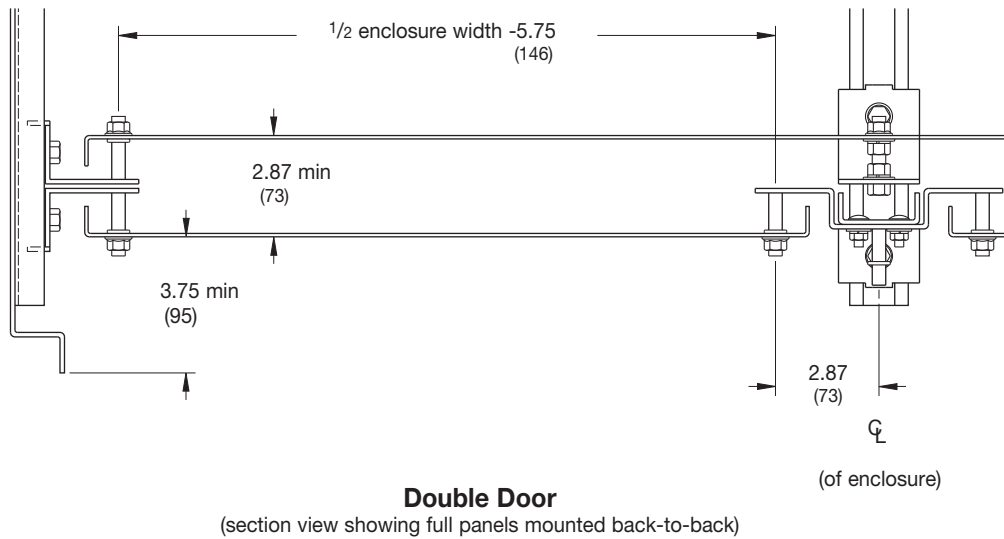
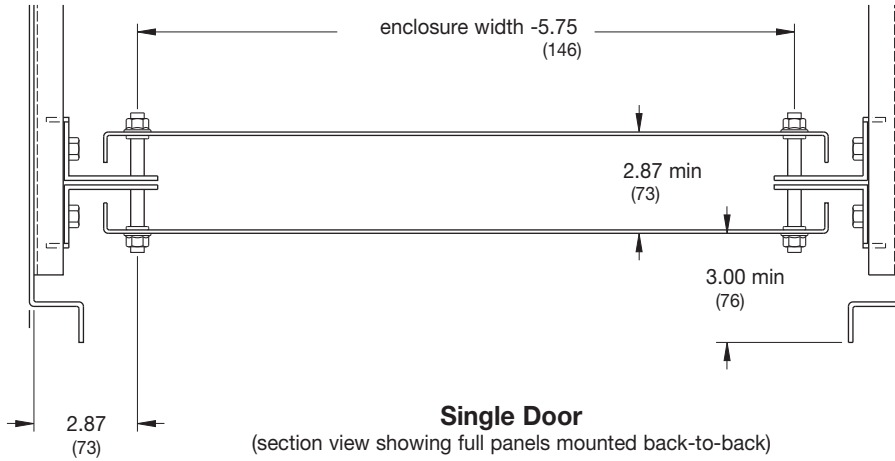
# Type 4X Panel Enclosures

## Free-Standing Enclosure Details

### Type 4X

### Panel and Enclosure

### Detail Sheet



**Notes:** Dimensions are in inches. Millimeters shown are for reference only. Data subject to change without notice.

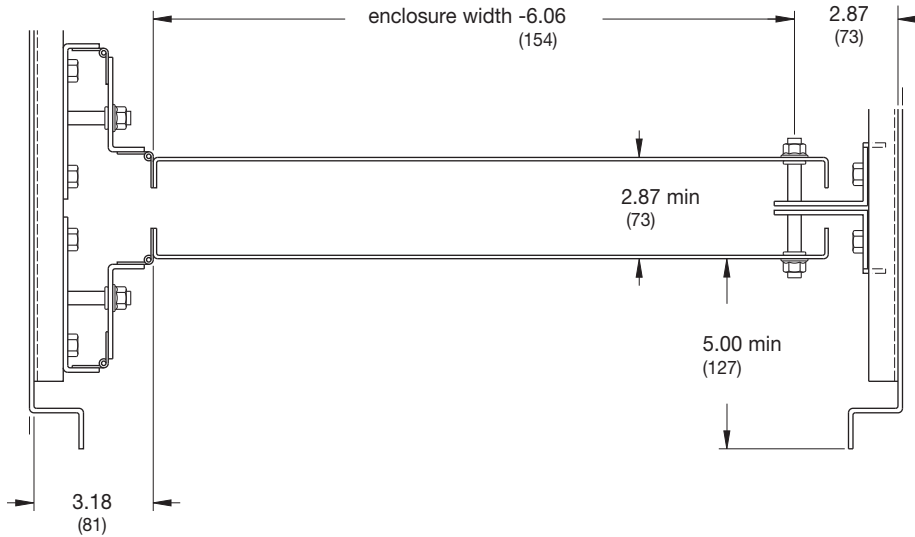
# Type 4X Panel Enclosures

## Free-Standing Enclosure Details

### Type 4X

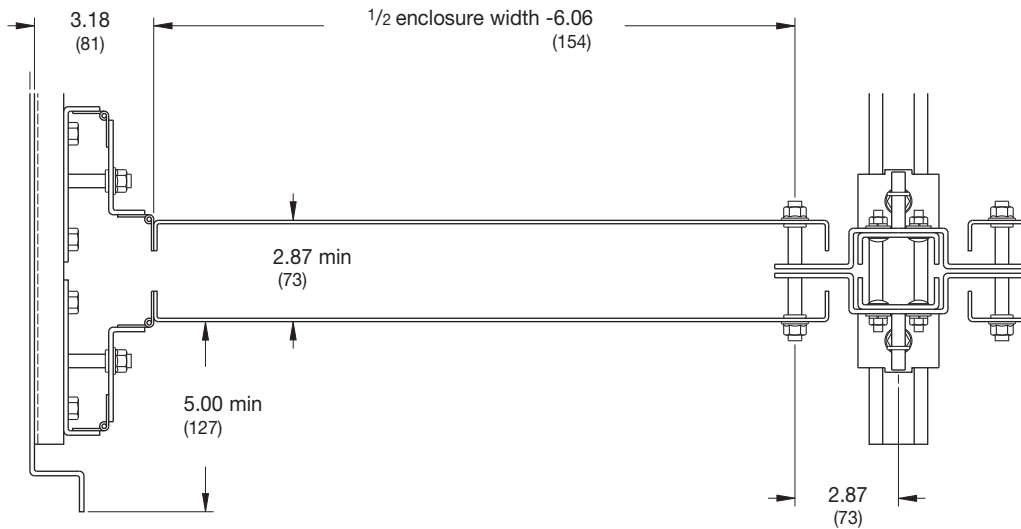
### Swing Panel and Enclosure

#### Detail Sheet



#### Single Door

(section view showing swing panels mounted back-to-back)



#### Double Door

(section view showing swing panels mounted back-to-back)

⌀

(of enclosure)

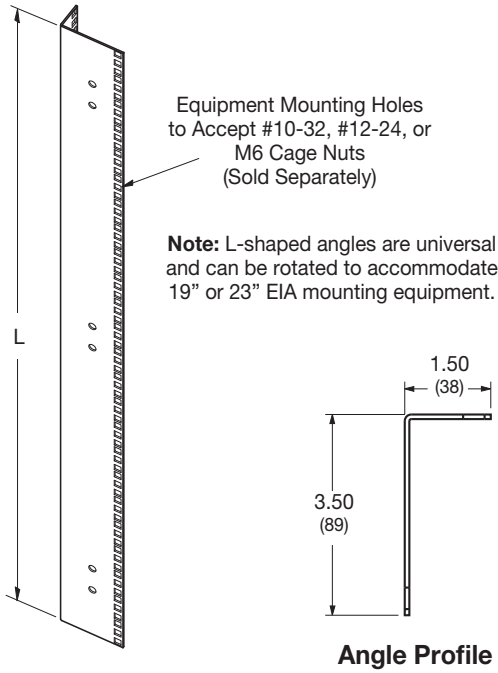
**Notes:** Dimensions are in inches. Millimeters shown are for reference only. Data subject to change without notice.

# Type 4X Panel Enclosures

## Free-Standing Enclosure Accessories Rack Mounting Angles

### Illustration Sheet and Catalog Number

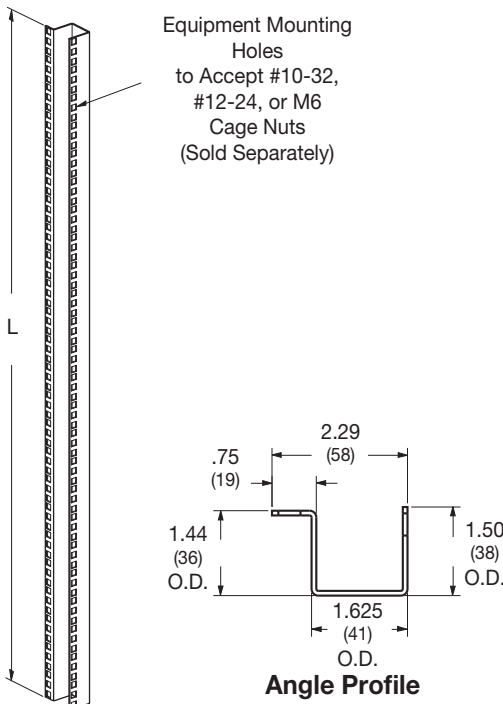
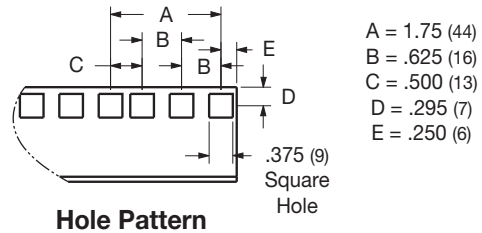
Heavy duty rack mounting angles are designed for mounting 19" (482mm) equipment in free-standing enclosures. A center post assembly, "CHAFxxCPS", on page 107, and a panel mounting center bracket, "CHAFCBRKT3", on page 110, (each sold separately) are required when mounting in any double door enclosure. Mounting holes are spaced at the 19" "EIA" standard and are provided to accept #10-32, #12-24, or M6 cage nuts (sold in packages of 100), on page 114.



### 'L' Shaped Mounting Angles

| Mounting Angles<br>Catalog # | Fits Enclosure Height |      | L     |      | Mounting U's |
|------------------------------|-----------------------|------|-------|------|--------------|
|                              | in.                   | mm   | in.   | mm   |              |
| CHES-48RMA-L                 | 48.00                 | 1219 | 42.00 | 1067 | 24           |
| CHES-60RMA-L                 | 60.00                 | 1524 | 54.25 | 1378 | 31           |
| CHES-72RMA-L                 | 72.00                 | 1829 | 66.50 | 1689 | 38           |
| CHES-90RMA-L                 | 90.00                 | 2286 | 78.75 | 2000 | 45           |

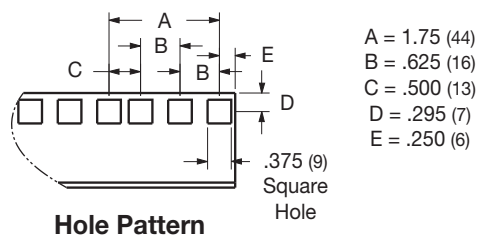
Kit contains two (2) full length 'L' angles, installation instructions and hardware necessary to mount in single-door enclosures. Yellow Zinc finish.



### 'U' Shaped Mounting Angles

| Mounting Angles<br>Catalog # | Fits Enclosure Height |      | L     |      | Mounting U's |
|------------------------------|-----------------------|------|-------|------|--------------|
|                              | in.                   | mm   | in.   | mm   |              |
| CHES-48RMA-U                 | 48.00                 | 1219 | 42.00 | 1067 | 24           |
| CHES-60RMA-U                 | 60.00                 | 1524 | 54.25 | 1378 | 31           |
| CHES-72RMA-U                 | 72.00                 | 1829 | 66.50 | 1689 | 38           |
| CHES-90RMA-U                 | 90.00                 | 2286 | 78.75 | 2000 | 45           |

Kit contains two (2) full length 'U' angles, installation instructions and hardware necessary to mount in single-door enclosures. Yellow Zinc finish.



**Notes:** Dimensions are in inches. Millimeters shown are for reference only. Data subject to change without notice.

# Type 4X Panel Enclosures

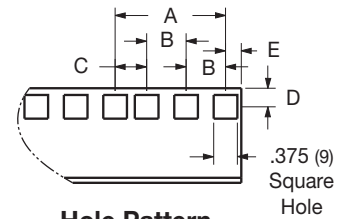
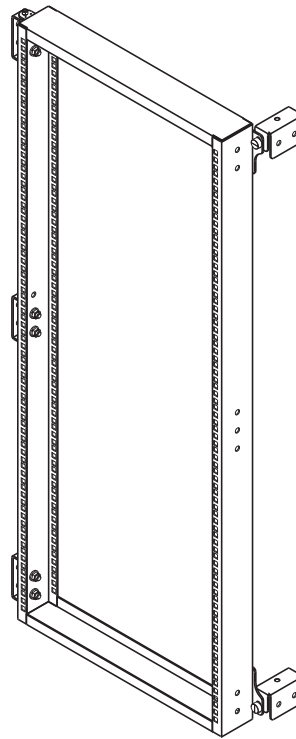
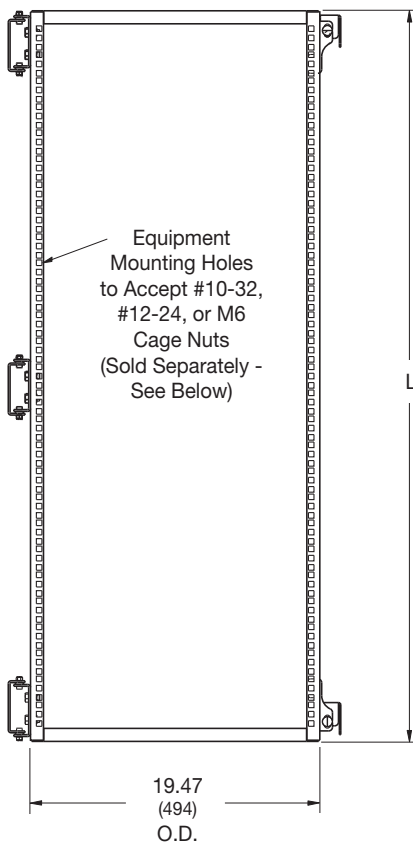
## Free-Standing Enclosure Accessories Frames & Fasteners

Illustration Sheet and Catalog Number

### Swing-Out Rack Mounted Frame

| Mounting Angles | Fits Enclosure Height |      | L     |      |
|-----------------|-----------------------|------|-------|------|
|                 | in.                   | mm   | in.   | mm   |
| Catalog #       |                       |      |       |      |
| CHES-48SORMF    | 48.00                 | 1219 | 36.91 | 937  |
| CHES-60SORMF    | 60.00                 | 1524 | 49.16 | 1248 |
| CHES-72SORMF    | 72.00                 | 1829 | 59.66 | 1515 |
| CHES-90SORMF    | 90.00                 | 2286 | 77.18 | 1960 |

Heavy duty swing-out rack mounting frames are designed for mounting 19" (482mm) equipment in free-standing enclosures. A center post assembly, "CHAFxxCPS", on page 107 and panel mounting center bracket, "CHAFCBRKT3", on page 110, (each sold separately) are required when mounting in any double door enclosure. Mounting holes are spaced per the "EIA" standard and are provided to accept #10-32, #12-24 or M6 cage nuts (sold in packages of 100). Swing-out rack mounting frames have white powder coated finish.



- A = 1.75 (44)
- B = .625 (16)
- C = .500 (13)
- D = .295 (7)
- E = .250 (6)

Type 4X Panel Enclosures



| Catalog #             | Screw Type      |
|-----------------------|-----------------|
| CHE2-MA-1032-PHMS-100 | #10-32 Phillips |
| CHE2-MA-1224-PHMS-100 | #12-24 Phillips |
| CHE2-MA-M6-PHMS-100   | M6 Phillips     |



| Catalog #           | Cage Nut Type |
|---------------------|---------------|
| CHE2-MA-CN-1032-100 | #10-32 Tapped |
| CHE2-MA-CN-1224-100 | #12-24 Tapped |
| CHE2-MA-CN-M6-100   | M6 Tapped     |

Sold in bags of 100.

**Notes:** Dimensions are in inches. Millimeters shown are for reference only. Data subject to change without notice.

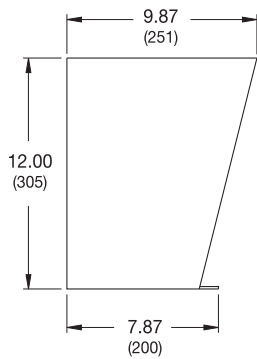
# Type 4X Panel Enclosures

## Free-Standing Enclosure Accessories Floor Stand & Enclosure Stabilizer Kits Illustration Sheet and Catalog Number

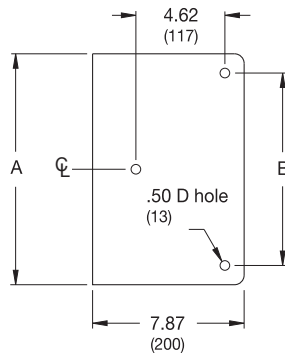


Floor stand kits are intended for use with EnviroShield™ Type 4X, Type 4 and Type 12 enclosures where floor support is required. Each kit consists of two (10) gauge legs and hardware for mounting. At the base of each leg is a pre-punched plate (see drawing). Steel kits have a gray polyester powder paint finish. Stainless steel kits are fabricated from 304 stainless steel. Standard floor stand kits are 12 inches (305 mm) high. For special heights, special material or non-standard construction, consult factory.

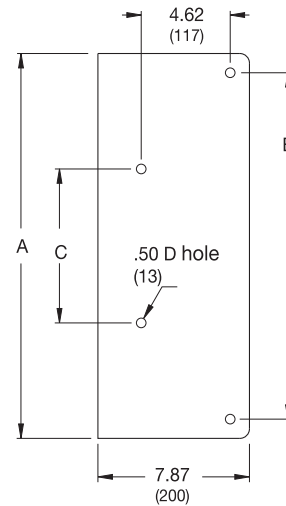
| Catalog # |           | A     |     | B     |     | C     |     |
|-----------|-----------|-------|-----|-------|-----|-------|-----|
| Steel     | Stainless | in.   | mm. | in.   | mm. | in.   | mm. |
| CHMFK12   | CHMFK12XS | 12.00 | 305 | 10.06 | 256 | -     | -   |
| CHMFK16   | CHMFK16XS | 16.00 | 406 | 14.06 | 357 | -     | -   |
| CHMFK20   | CHMFK20XS | 20.00 | 508 | 18.06 | 459 | 8.00  | 203 |
| CHMFK24   | CHMFK24XS | 24.00 | 610 | 22.06 | 560 | 10.00 | 254 |



Floor Stand Kit



Base 12 - 16 Deep

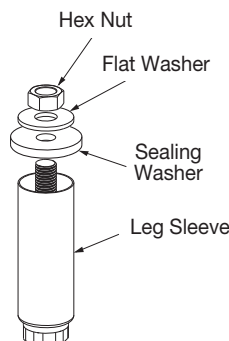
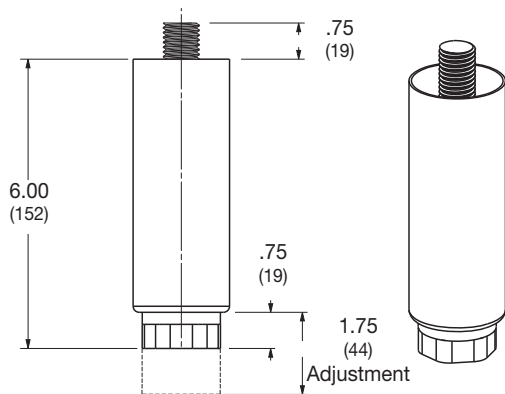


Base 20 - 24 Deep

### Sanitary Leg Kit

| Catalog #  | Description          |
|------------|----------------------|
| CHES-SMFK6 | Set of four (4) legs |

Kit allows space between enclosure and floor for compliance in NSF environments 1-3/4" (44mm) adjustment provides flexibility in all applications. Four (4) legs per kit, maintains UL/cUL Type 4X rating when properly installed.



**Notes:** Dimensions are in inches. Millimeters shown are for reference only. Data subject to change without notice.