

Type 4X Panel Enclosures

Ground-Mount Enclosures

Type 4X Double-Door EnviroShield™ Free-Standing with 3-Point Locking Data Sheet



Accessories

- Full and half panels
- Side panels
- Swing panels
- Touch-up paint
- Mounting legs
- Rack mounting angles
- Swing out mounting frames
- Replacement handle
- See Accessories section

Construction

- Enclosure and door are fabricated from (12) gauge steel
- All continuous welded seams are finished smooth
- Doors are secured to the body with a heavy duty concealed lift-off hinge and a 3-point vault handle locking mechanism on each door
- Removable center post
- Doors have a fixed, oil-resistant gasket
- Ground stud provided on doors and bodies
- Print pocket provided
- Large lifting eyes are integrated with sides of enclosure
- Mounting channels are welded inside for locating panels or rack mounts along enclosure depth, as well as mounting studs for fixed panels
- Swing panels, single full and single half panels can be installed in double-door enclosures when the center post is used
- A variety of optional panels and accessories are available

Application

- Houses electrical controls and electrical instruments in harsh environments
- Provides quick and easy access indoors and out
- Protects against circulating dust, falling dirt, dripping non-corrosive liquids, rain, sleet, ice, splashing and hose directed water

Standards

- UL 508 Listed, Type 3R, Type 4, Type 4X and Type 12
- CSA C22.2 No. 94 Certified, Type 3R, Type 4, Type 4X and Type 12
- Conforms to NEMA Standard for Type 3R, Type 4, Type 4X and Type 12
- Meets NEMA Type 3R requirements
- E.I.A. RS-310-D
- NSF Criteria C-2

Finish

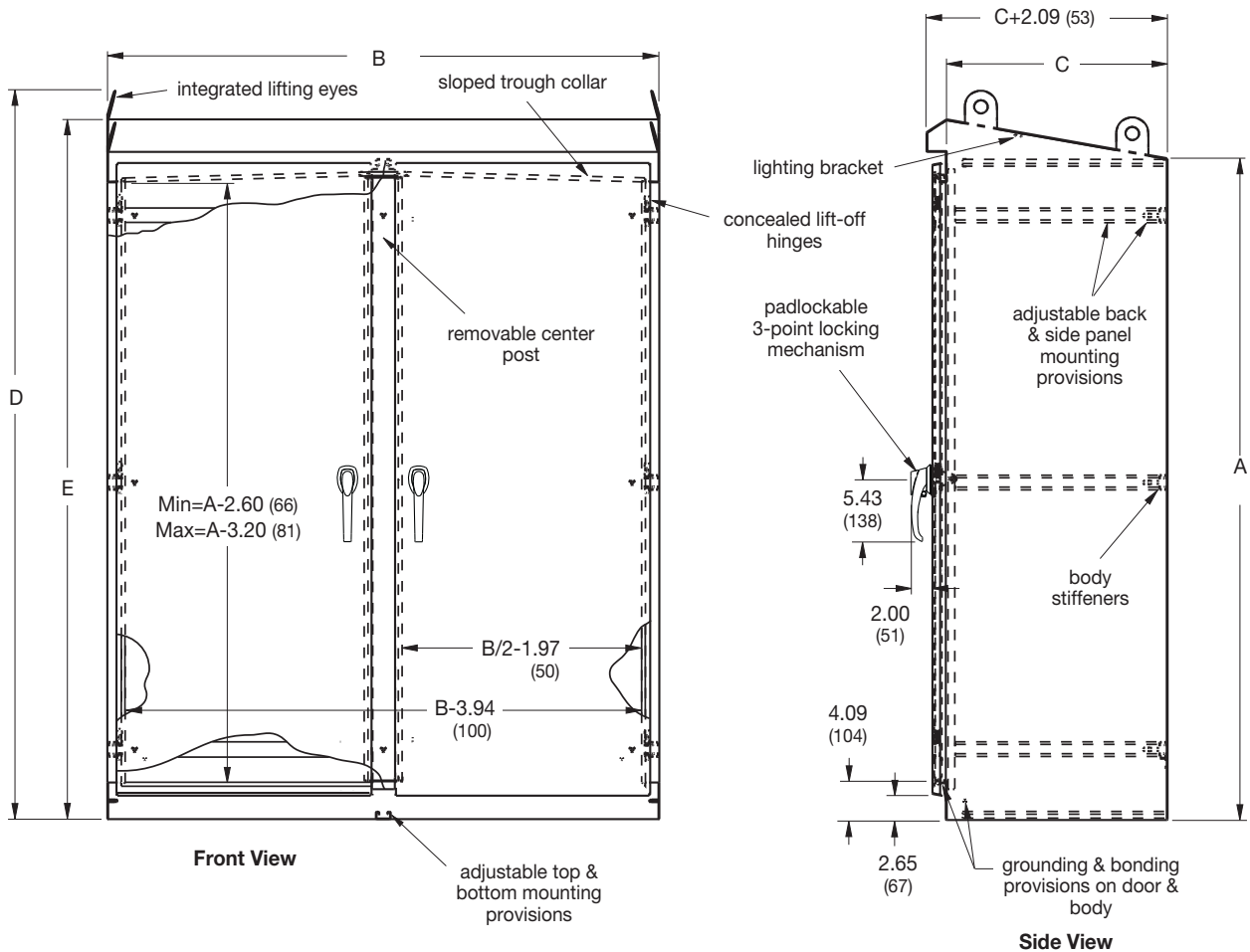
- Doors and sides of body have a smooth #4 brushed finish

Type 4X Panel Enclosures

Ground-Mount Enclosures Type 4X Double-Door EnviroShield™ Free-Standing with 3-Point Locking

Data Sheet

Enclosure		Enclosure Size Height x Width x Depth AxBxC		D		E	
Type 304	Type 316L	in.	mm.	in.	mm.	in.	mm.
CHES-604812-4XS	CHES-604812-4XSS6	60.00 x 48.00 x 12.00	1524 x 1219 x 305	65.98	1676	64.23	1631
CHES-604816-4XS	CHES-604816-4XSS6	60.00 x 48.00 x 16.00	1524 x 1219 x 406	65.98	1676	64.23	1631
CHES-604820-4XS	CHES-604820-4XSS6	60.00 x 48.00 x 20.00	1524 x 1219 x 508	65.98	1676	64.23	1631
CHES-604824-4XS	CHES-604824-4XSS6	60.00 x 48.00 x 24.00	1524 x 1219 x 609	65.98	1676	64.23	1631
CHES-606012-4XS	CHES-606012-4XSS6	60.00 x 60.00 x 12.00	1524 x 1524 x 305	65.98	1676	64.23	1631
CHES-606016-4XS	CHES-606016-4XSS6	60.00 x 60.00 x 16.00	1524 x 1524 x 406	65.98	1676	64.23	1631
CHES-606020-4XS	CHES-606020-4XSS6	60.00 x 60.00 x 20.00	1524 x 1524 x 508	65.98	1676	64.23	1631
CHES-606024-4XS	CHES-606024-4XSS6	60.00 x 60.00 x 24.00	1524 x 1524 x 609	67.46	1713	64.23	1631
CHES-726012-4XS	CHES-726012-4XSS6	72.00 x 60.00 x 12.00	1829 x 1524 x 305	77.98	1980	76.23	1936
CHES-726016-4XS	CHES-726016-4XSS6	72.00 x 60.00 x 16.00	1829 x 1524 x 406	77.98	1980	76.23	1936
CHES-726020-4XS	CHES-726020-4XSS6	72.00 x 60.00 x 20.00	1829 x 1524 x 508	77.98	1980	76.23	1936
CHES-726024-4XS	CHES-726024-4XSS6	72.00 x 60.00 x 24.00	1829 x 1524 x 609	77.98	1980	76.23	1936
CHES-727212-4XS	CHES-727212-4XSS6	72.00 x 72.00 x 12.00	1829 x 1829 x 305	77.98	1980	76.23	1936
CHES-727216-4XS	CHES-727216-4XSS6	72.00 x 72.00 x 16.00	1829 x 1829 x 406	77.98	1980	76.23	1936
CHES-727220-4XS	CHES-727220-4XSS6	72.00 x 72.00 x 20.00	1829 x 1829 x 508	77.98	1980	76.23	1936
CHES-727224-4XS	CHES-727224-4XSS6	72.00 x 72.00 x 24.00	1829 x 1829 x 609	79.46	2018	76.23	1936



Notes: Dimensions are in inches. Millimeters shown are for reference only. Data subject to change without notice.

Type 4X Panel Enclosures

Free-Standing Enclosure Accessories

Type 4X Single-Door

Full and Half Panel

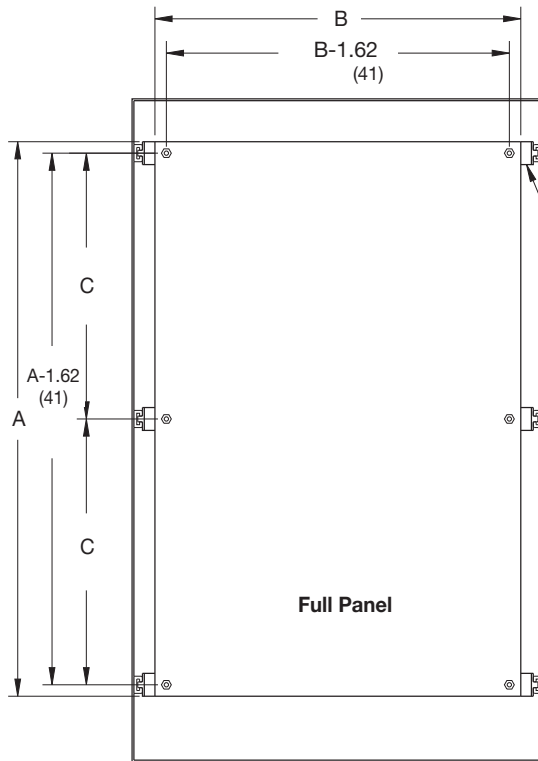
Illustration Sheet and Catalog Number

Full Panel (Single-Door)

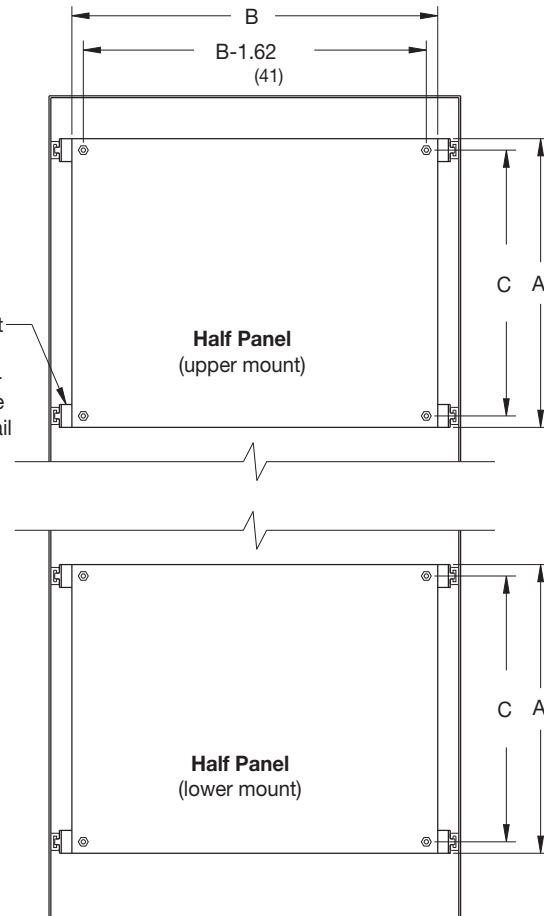
Panel Catalog #	Panel Size Height x Width AxB		C		Fits Enclosure Height x Width	
	in.	mm.	in.	mm.	in.	mm.
CHAF6024P	47.87 x 19.87	1216 x 505	23.12	587	60.00 x 24.00	1524 x 610
CHAF6036P	47.87 x 31.87	1216 x 809	23.12	587	60.00 x 36.00	1524 x 914
CHAF7224P	59.87 x 19.87	1521 x 505	29.12	740	72.00 x 24.00	1829 x 610
CHAF7230P	59.87 x 25.87	1521 x 657	29.12	740	72.00 x 30.00	1829 x 762
CHAF7236P	59.87 x 31.87	1521 x 809	29.12	740	72.00 x 36.00	1829 x 914
CHAF9024P	77.87 x 19.87	1978 x 505	38.12	968	90.00 x 24.00	2286 x 610
CHAF9036P	77.87 x 31.87	1978 x 809	38.12	968	90.00 x 36.00	2286 x 914

Half Panel (Single-Door)

Panel Catalog #	Panel Size Height x Width AxB		C		Fits Enclosure Height x Width	
	in.	mm.	in.	mm.	in.	mm.
CHAF6024HP	24.75 x 19.87	629 x 505	23.12	587	60.00 x 24.00	1524 x 610
CHAF6036HP	24.75 x 31.87	629 x 809	23.12	587	60.00 x 36.00	1524 x 914
CHAF7224HP	30.75 x 19.87	781 x 505	29.12	587	72.00 x 24.00	1829 x 610
CHAF7230HP	30.75 x 25.87	781 x 657	29.12	587	72.00 x 30.00	1829 x 762
CHAF7236HP	30.75 x 31.87	781 x 809	29.12	587	72.00 x 36.00	1829 x 914
CHAF9024HP	39.75 x 19.87	1010 x 505	38.12	968	90.00 x 24.00	2286 x 610
CHAF9036HP	39.75 x 31.87	1010 x 809	38.12	968	90.00 x 36.00	2286 x 914



Full Panel Mounting



Half Panel Mounting

Note: Full and half panel for single-door, single and dual-access enclosures are (12) gauge steel and furnished with panel side brackets and all hardware necessary for channel and panel mounting. Half panels can be mounted in either the upper or lower portion of the enclosure. Free-standing design permits the panel to adjust along the depth of the enclosure. With dual-access enclosures, full and half panels can be mounted back-to-back.

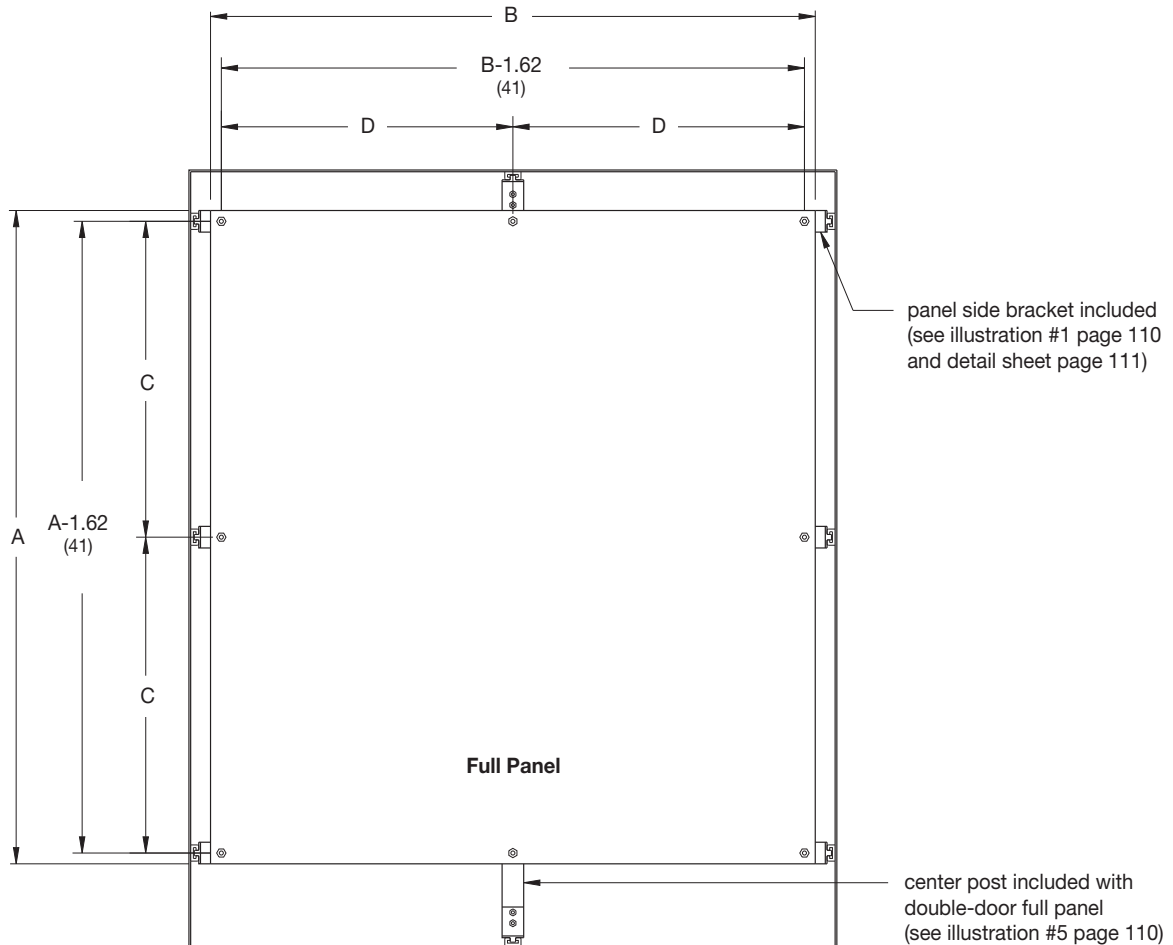
Notes: Dimensions are in inches. Millimeters shown are for reference only. Data subject to change without notice.

Type 4X Panel Enclosures

Free-Standing Enclosure Accessories Type 4X Double-Door Full Panel

Illustration Sheet and Catalog Number

Panel Catalog #	Panel Size Height x Width Ax B		C		D		Fits Enclosure Height x Width	
	in.	mm.	in.	mm.	in.	mm.	in.	mm.
CHAF6048P	47.87 x 43.87	1216 x 1114	23.12	587	21.12	530	60.00 x 48.00	1524 x 1219
CHAF6060P	47.87 x 55.87	1216 x 1419	23.12	587	27.12	689	60.00 x 60.00	1524 x 1524
CHAF7248P	59.87 x 43.87	1521 x 1114	29.12	740	21.12	530	72.00 x 48.00	1829 x 1219
CHAF7260P	59.87 x 55.87	1521 x 1419	29.12	740	27.12	689	72.00 x 60.00	1829 x 1524
CHAF7272P	59.87 x 67.87	1521 x 1724	29.12	740	33.12	841	72.00 x 72.00	1829 x 1829
CHAF9048P	77.87 x 43.87	1978 x 1114	38.12	968	21.12	530	90.00 x 48.00	2286 x 1219
CHAF9072P	77.87 x 67.87	1978 x 1724	38.12	968	33.12	841	90.00 x 72.00	2286 x 1829



Full Panel Mounting

Notes: Full panel for double-door, single and dual-access enclosures are (10) gauge steel and furnished with panel brackets, center post assembly, panel handle kit and all hardware necessary for channel and panel mounting. The center post assembly offers additional support of panel and equipment. Free-standing design permits the panel to adjust along the depth of the enclosure. With dual-access enclosures, full and half panels can be mounted back-to-back.

Notes: Dimensions are in inches. Millimeters shown are for reference only. Data subject to change without notice.

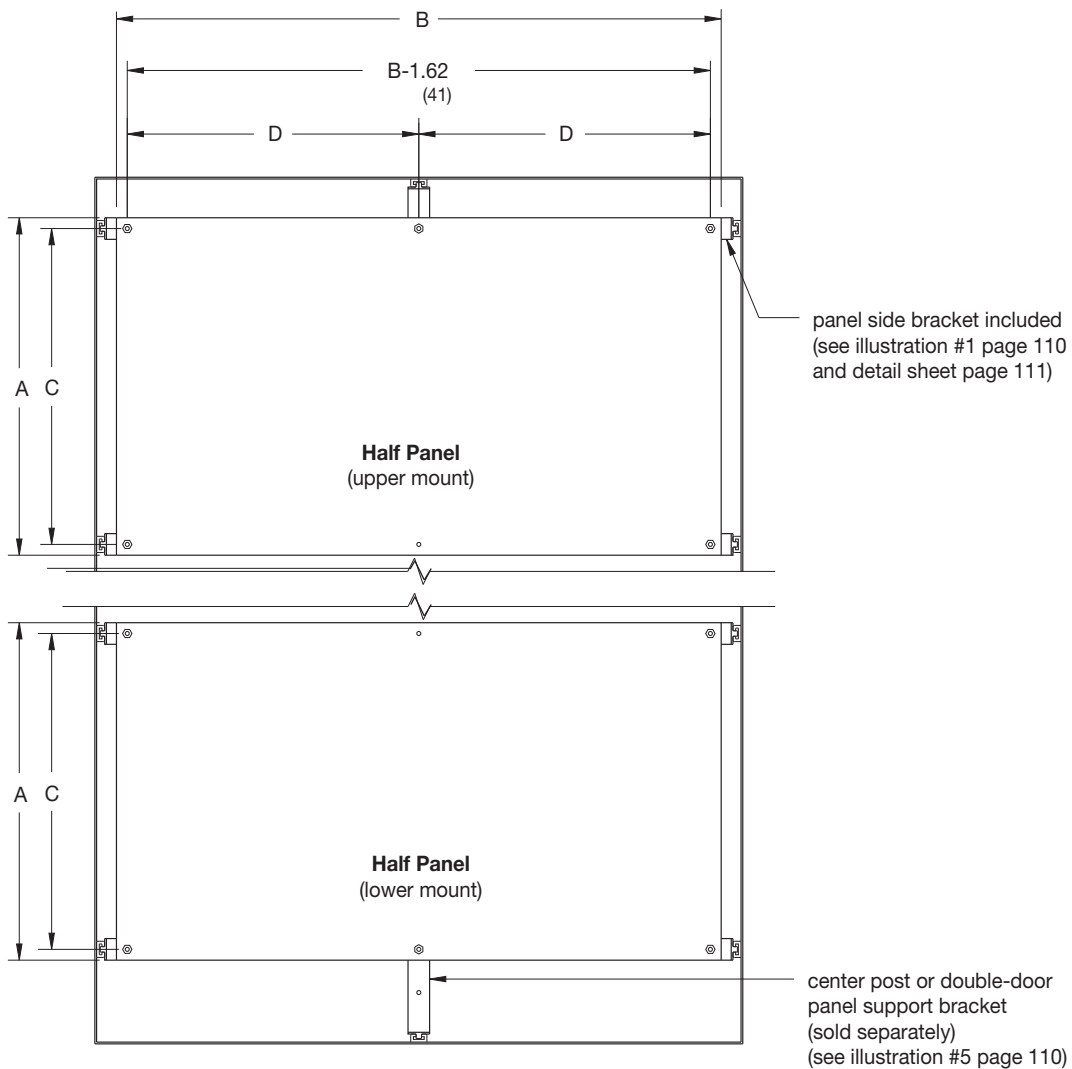
Type 4X Panel Enclosures

Free-Standing Enclosure Accessories

Type 4X Double-Door, Half Panel

Illustration Sheet and Catalog Number

Panel Catalog #	Panel Size Height x Width AxB		C		D		Fits Enclosure Height x Width	
	in.	mm.	in.	mm.	in.	mm.	in.	mm.
CHAF6048HP	24.75 x 43.87	629 x 1114	23.12	587	21.12	536	60.00 x 48.00	1524 x 1219
CHAF7248HP	30.75 x 43.87	781 x 1114	29.12	740	21.12	536	72.00 x 48.00	1829 x 1219
CHAF7260HP	30.75 x 55.87	781 x 1419	29.12	740	7.12	181	72.00 x 60.00	1829 x 1524
CHAF7272HP	30.75 x 67.87	781 x 1724	29.12	740	33.12	841	72.00 x 72.00	1829 x 1829
CHAF9048HP	39.75 x 43.87	1010 x 1114	38.12	968	21.12	536	90.00 x 48.00	2286 x 1219
CHAF9072HP	39.85 x 67.87	1012 x 1724	38.12	968	33.12	841	90.00 x 72.00	2286 x 1829



Half Panel Mounting

Note: Half panel for double-door, single and dual-access enclosures are (12) gauge steel and furnished with panel brackets and all hardware necessary for channel and panel mounting. **A center post assembly or a double-door panel support bracket (catalog number CHAFSUP2) for additional support of the panel is optional and sold separately.** Free-standing design permits the panel to adjust along the depth of the enclosure. With dual-access enclosures, full and half panels can be mounted back-to-back.

Notes: Dimensions are in inches. Millimeters shown are for reference only. Data subject to change without notice.

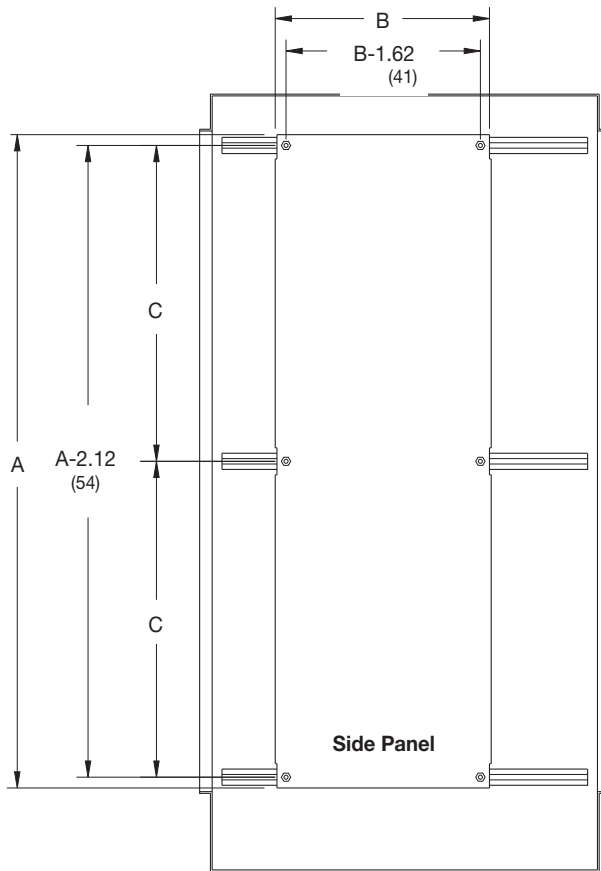
Type 4X Panel Enclosures

Free-Standing Enclosure Accessories Type 4X, Side Panel and Center Post Illustration Sheet and Catalog Number

Panel Catalog #	Panel Size Height x Width AxB		C		Fits Enclosure			
	in.	mm.	in.	mm.	in.	mm.	in.	mm.
CHAF6018SP	48.37 x 13.87	1229 x 340	23.12	587	60.00	1524	18.00	457
CHAF7218SP	60.37 x 13.87	1533 x 340	29.12	740	72.00	1829	18.00	457
CHAF7224SP	60.37 x 19.87	1533 x 505	29.12	740	72.00	1829	24.00	610
CHAF9018SP	78.37 x 13.87	1991 x 340	38.12	968	90.00	2286	18.00	457
CHAF9024SP	78.37 x 19.87	1991 x 505	38.12	968	90.00	2286	24.00	457

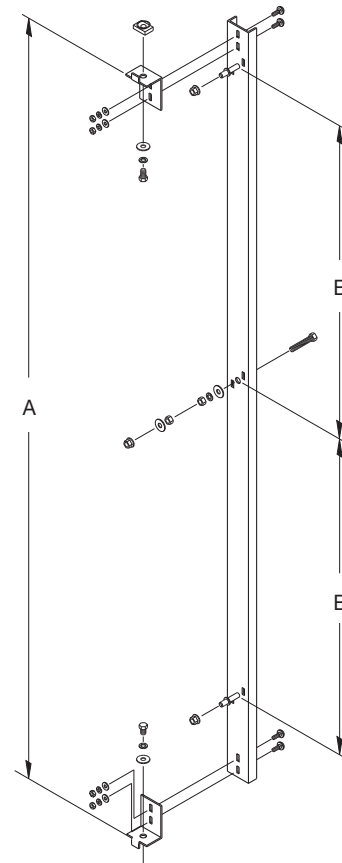
Center Post Catalog #	A		B		Fits Enclosure Height	
	in.	mm.	in.	mm.	in.	mm.
CHAF60CPS	58.37	1483	23.12	587	60.00	1524
CHAF72CPS	70.37	1787	29.12	740	72.00	1829
CHAF90CPS	88.37	2245	38.12	968	90.00	2286

* Back panels restrict the movement of side panels and will prohibit mounting in some depths. See detail sheet for back panel spacing.



Side Panel Mounting

Side panels are (12) gauge steel and furnished with hardware necessary for channel mounting. They will fit any width enclosure and are adjustable along its depth, however, when full or half panels are installed, movement will be restricted and with some depths make side mounting prohibitive.



Center Post Assembly

Center post assembly is furnished with all double-door full panels and includes hardware necessary for channel and panel mounting. The center post is optional on double-door half panels and swing panel mounting and must be ordered separately. It attaches to the top and bottom channels making it adjustable along the depth of the enclosure. See illustration #5 on the Detail Sheet on page 110.

Notes: Dimensions are in inches. Millimeters shown are for reference only. Data subject to change without notice.

Type 4X Panel Enclosures

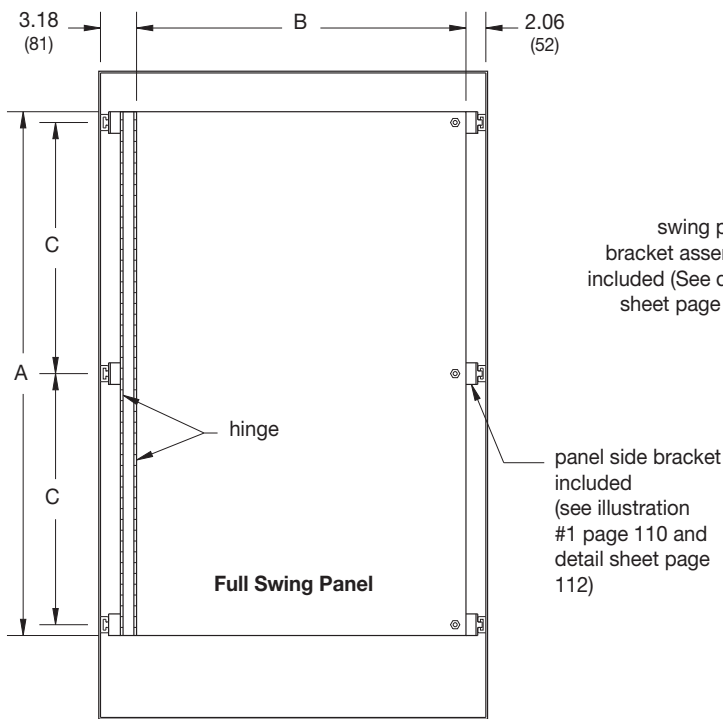
Free-Standing Enclosure Accessories Type 4X Single-Door, Full and Half Swing Panel Illustration Sheet and Catalog Number

Full Swing Panel (Single Door)

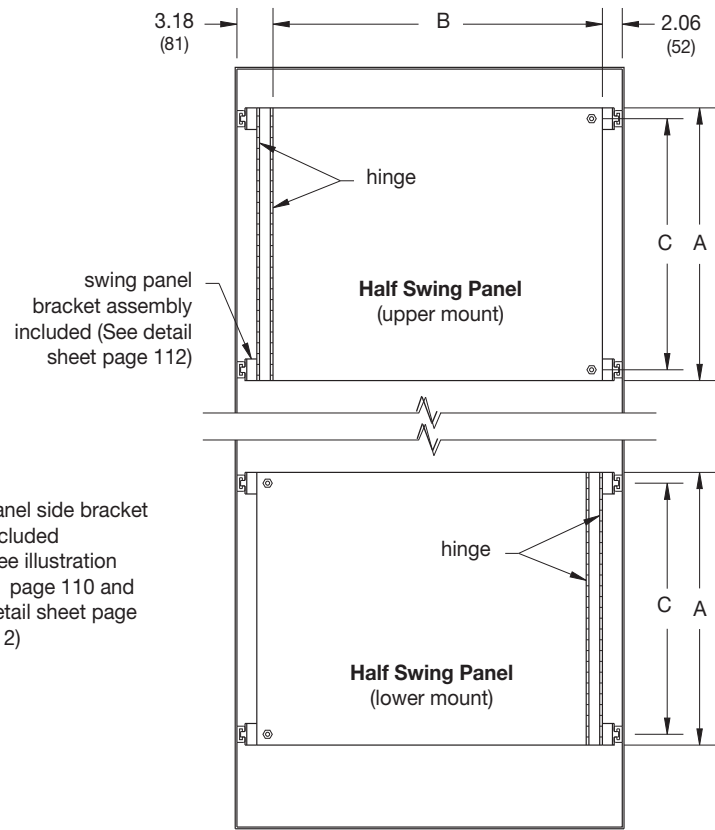
Panel Catalog #	Panel Size Height x Width AxB		C		Fits Enclosure Height x Width	
	in.	mm.	in.	mm.	in.	mm.
CHAF6024SWP	47.87 x 18.75	1216 x 476	23.12	587	60.00 x 24.00	1524 x 610
CHAF6036SWP	47.87 x 30.75	1216 x 781	23.12	587	60.00 x 36.00	1524 x 914
CHAF7224SWP	59.87 x 18.75	1521 x 476	29.12	740	72.00 x 24.00	1829 x 610
CHAF7230SWP	59.87 x 24.75	1521 x 629	29.12	740	72.00 x 30.00	1829 x 762
CHAF7236SWP	59.87 x 30.75	1521 x 781	29.12	740	72.00 x 36.00	1829 x 914
CHAF9024SWP	77.87 x 18.75	1978 x 476	38.12	968	90.00 x 24.00	2286 x 610
CHAF9036SWP	77.87 x 30.75	1978 x 781	38.12	968	90.00 x 36.00	2286 x 914

Half Swing Panel (Single Door)

Panel Catalog #	Panel Size Height x Width AxB		C		Fits Enclosure Height x Width	
	in.	mm.	in.	mm.	in.	mm.
CHAF6024HSWP	24.75 x 18.75	629 x 476	23.12	587	60.00 x 24.00	1524 x 610
CHAF6036HSWP	24.75 x 30.75	629 x 781	23.12	587	60.00 x 36.00	1524 x 914
CHAF7224HSWP	30.75 x 18.75	781 x 476	29.12	740	72.00 x 24.00	1829 x 610
CHAF7230HSWP	30.75 x 24.75	781 x 629	29.12	740	72.00 x 30.00	1829 x 762
CHAF7236HSWP	30.75 x 30.75	781 x 781	29.12	740	72.00 x 36.00	1829 x 914
CHAF9024HSWP	39.75 x 18.75	1010 x 476	38.12	968	90.00 x 24.00	2286 x 610
CHAF9036HSWP	39.75 x 30.75	1010 x 781	38.12	968	90.00 x 36.00	2286 x 914



Full Swing Panel Mounting



Half Swing Panel Mounting

Note: Full swing panel and half swing panel for single-door, single and dual-access enclosures are (12) gauge steel, have a dual hinge swing panel bracket and furnished with panel brackets and all hardware necessary for channel and panel mounting. Panels can be installed so they hinge on either the left or right side. In addition, half panels can be mounted in either the upper or lower portion of the enclosure. Free-standing design permits the panel to be adjustable along the depth of the enclosure. The dual hinge will allow the inner panel to swing completely out of the door opening when within 5.50 inches of the front. With dual-access enclosures, full and half swing panels can be mounted back-to-back.

Type 4X Panel Enclosures

Free-Standing Enclosure Accessories Type 4X Double-Door, Full and Half Swing Panel Illustration Sheet and Catalog Number

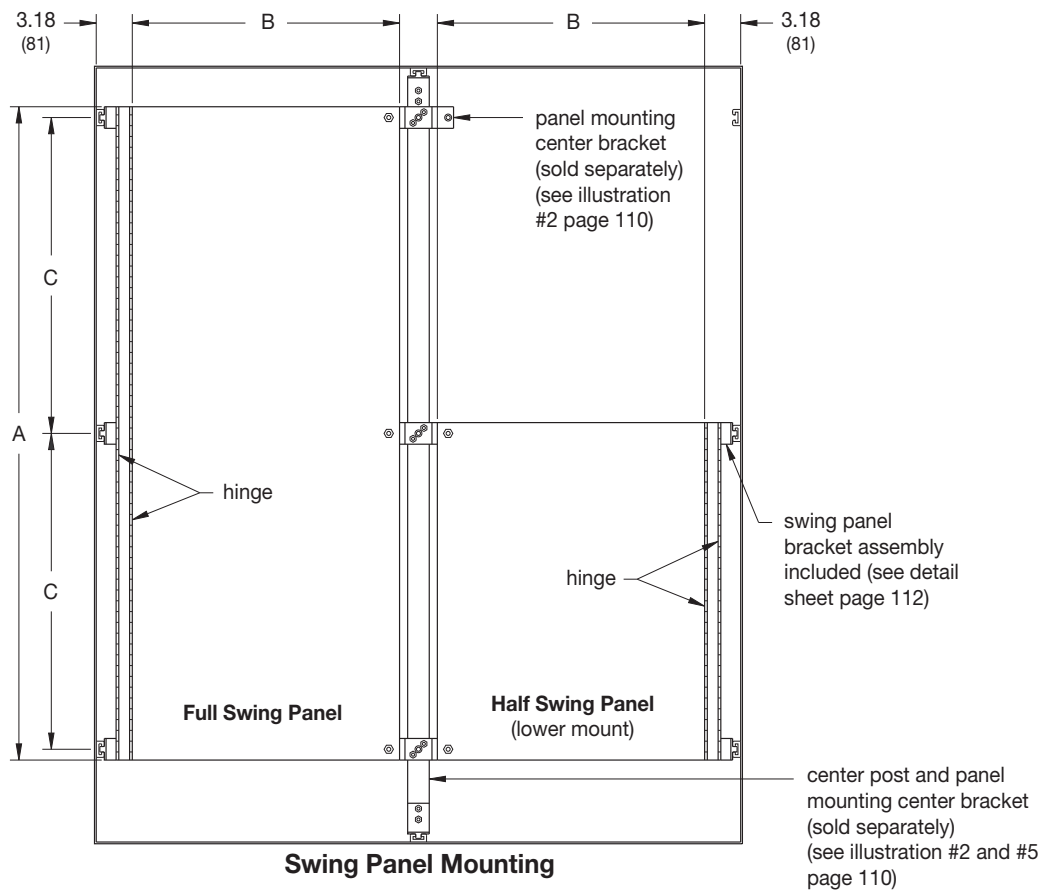
Full Swing Panel (Single-Door)

Panel Catalog #	Panel Size Height x Width AxB		C		Fits Enclosure Height x Width	
	in.	mm	in.	mm	in.	mm
CHAF6024SWP	47.87 x 18.75	1216 x 476	23.12	587	60.00 x 48.00	1524 x 1219
CHAF7224SWP	59.87 x 18.75	1521 x 476	29.12	740	72.00 x 48.00	1829 x 1219
CHAF7230SWP	59.87 x 24.75	1521 x 629	29.12	740	72.00 x 60.00	1829 x 1524
CHAF7236SWP	59.87 x 30.75	1521 x 781	29.12	740	72.00 x 72.00	1829 x 1829
CHAF9024SWP	77.87 x 18.75	1978 x 781	38.12	968	90.00 x 48.00	2286 x 1219
CHAF9036SWP	77.87 x 30.75	1978 x 781	38.12	968	90.00 x 72.00	2286 x 1829

Half Swing Panel (Single-Door)

Panel Catalog #	Panel Size Height x Width AxB		C		Fits Enclosure Height x Width	
	in.	mm	in.	mm	in.	mm
CHAF6024HSWP	24.75 x 18.75	629 x 476	23.12	587	60.00 x 48.00	1524 x 1219
CHAF7224HSWP	30.75 x 18.75	781 x 476	29.12	740	72.00 x 48.00	1829 x 1219
CHAF7230HSWP	30.75 x 24.75	781 x 629	29.12	740	72.00 x 60.00	1829 x 1524
CHAF7236HSWP	30.75 x 30.75	781 x 781	29.12	740	72.00 x 72.00	1829 x 1829
CHAF9024HSWP	39.75 x 18.75	1010 x 476	38.12	968	90.00 x 48.00	2286 x 1219
CHAF9036HSWP	39.75 x 30.75	1010 x 781	38.12	968	90.00 x 72.00	2286 x 1829

A Center post assembly and center bracket must be ordered separately.



Note: Full swing panel and half swing panel for double-door, single and dual-access enclosures are (12) gauge steel, have a dual hinge swing panel bracket, and furnished with hardware necessary for side channel mounting. **A center post assembly and center bracket must be ordered separately.** Panels can be installed so they hinge either on the left or right side. In addition, half panels can be mounted in either the upper or lower portion of the enclosure. Free-standing design permits the panel to adjust along the depth of the enclosure. The dual hinge will allow the inner panel to swing completely out of the door opening when within 5.50 inches of the front. With dual-access enclosures, full and half swing panels can be mounted back-to-back.

Notes: Dimensions are in inches. Millimeters shown are for reference only. Data subject to change without notice.

Type 4X Panel Enclosures

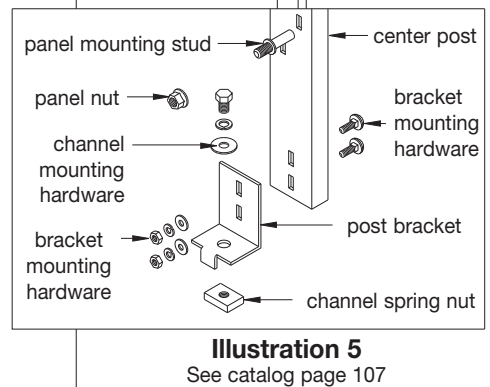
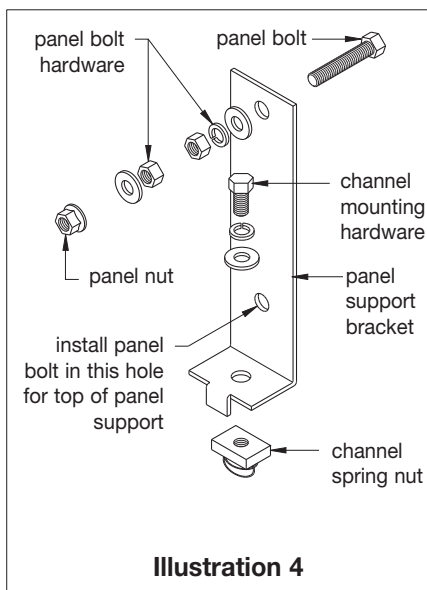
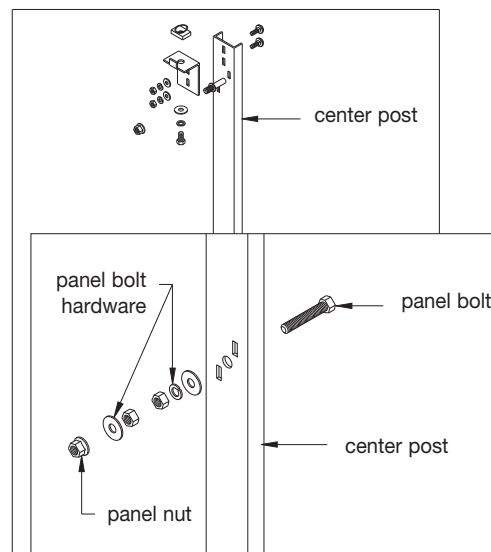
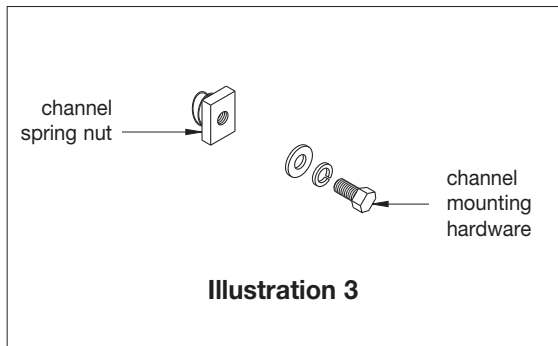
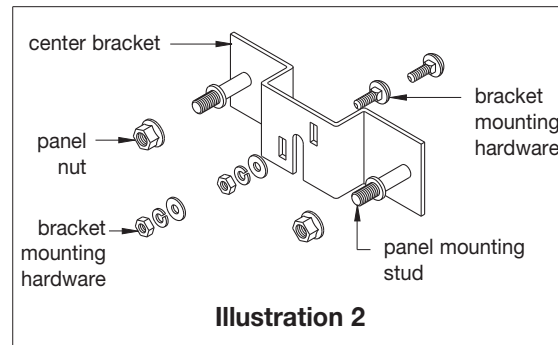
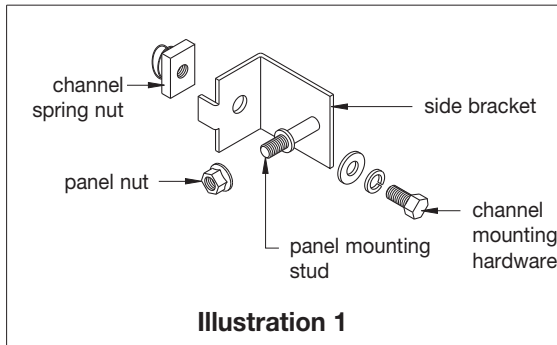
Free-Standing Enclosure Accessories

Type 4X

Miscellaneous Accessories

Illustration Sheet and Catalog Number

Miscellaneous Accessories			
Catalog #	Description	Illustration	Quantity
CHAFSBRKT1	Panel mounting side bracket	1	1
CHAFCBRKT3	Panel mounting center bracket	2	3
CHAFCMH3	Channel mounting hardware	3	3
CHAFPSUP2	Double-door panel support bracket	4	2
See page 107	Center post assembly	5	1



Notes: Dimensions are in inches. Millimeters shown are for reference only. Data subject to change without notice.

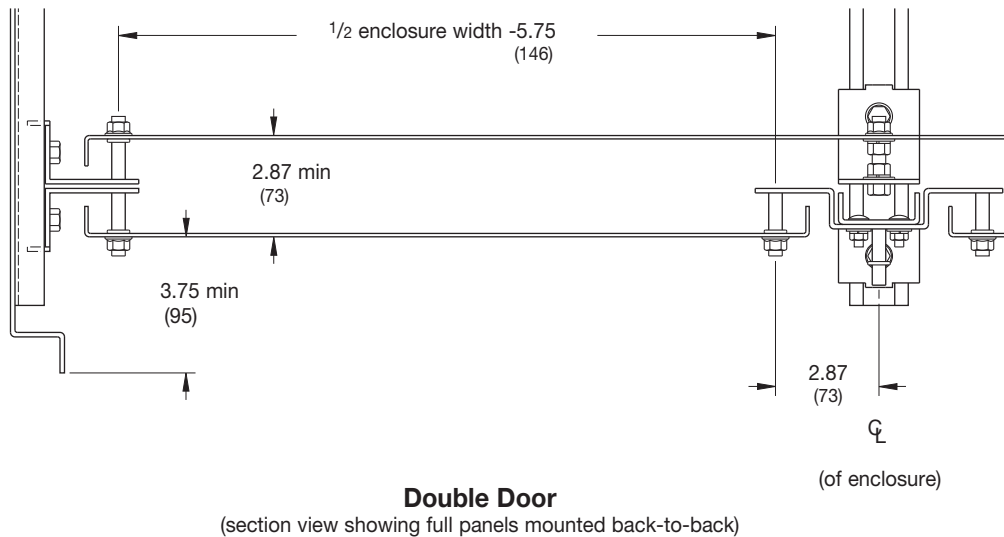
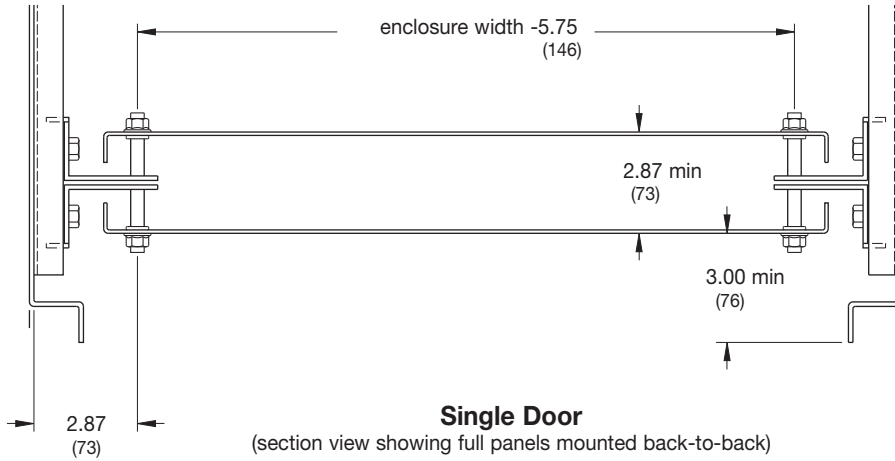
Type 4X Panel Enclosures

Free-Standing Enclosure Details

Type 4X

Panel and Enclosure

Detail Sheet



Notes: Dimensions are in inches. Millimeters shown are for reference only. Data subject to change without notice.

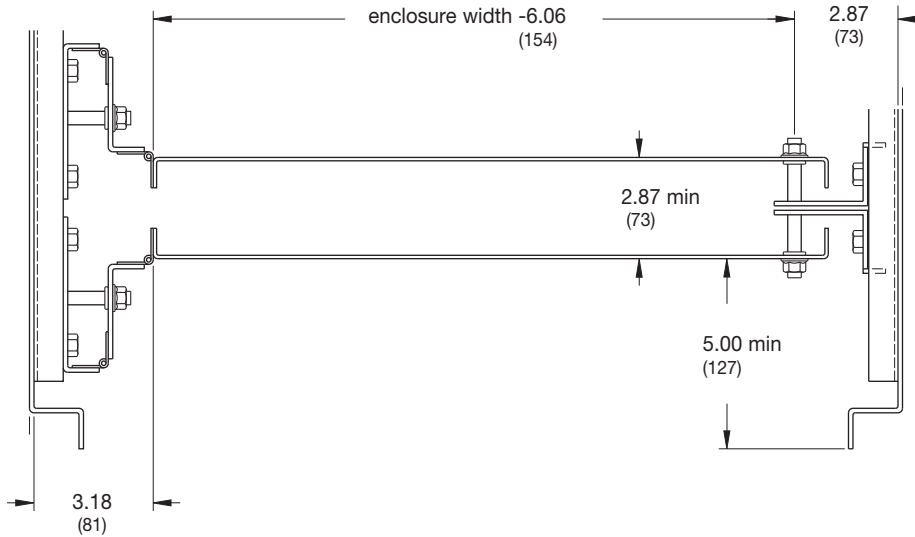
Type 4X Panel Enclosures

Free-Standing Enclosure Details

Type 4X

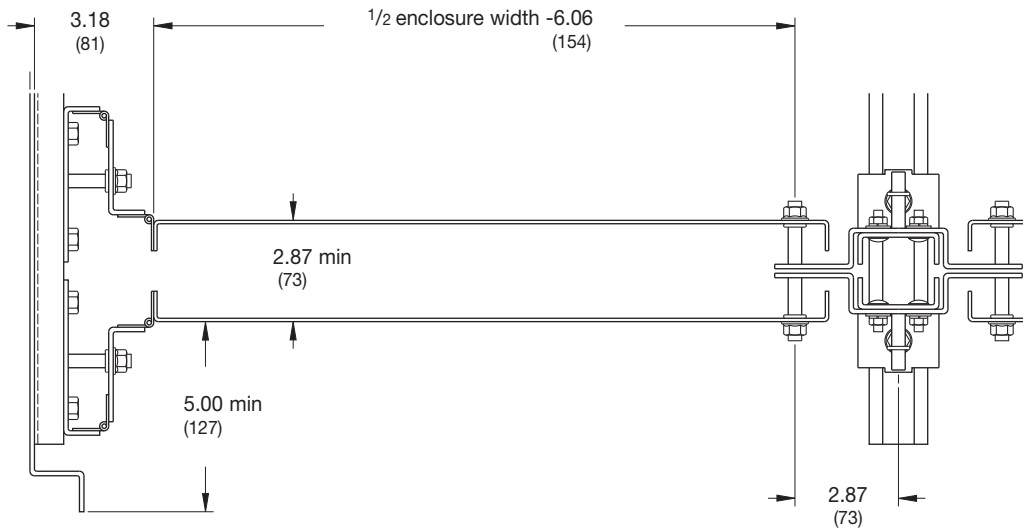
Swing Panel and Enclosure

Detail Sheet



Single Door

(section view showing swing panels mounted back-to-back)



Double Door

(section view showing swing panels mounted back-to-back)

⌀

(of enclosure)

Notes: Dimensions are in inches. Millimeters shown are for reference only. Data subject to change without notice.

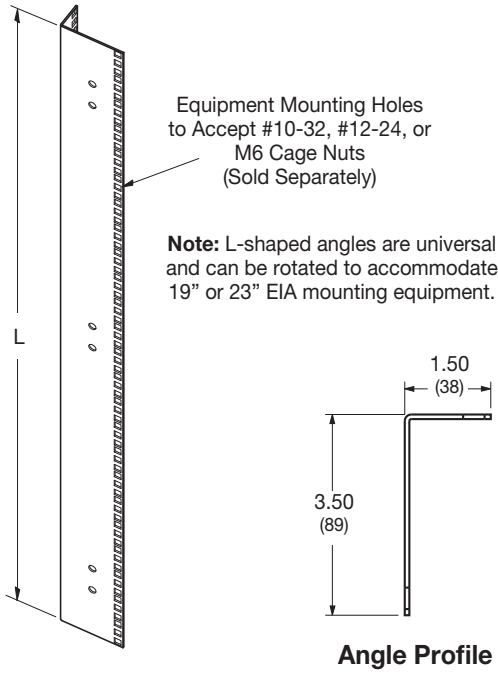
Type 4X Panel Enclosures

Free-Standing Enclosure Accessories

Rack Mounting Angles

Illustration Sheet and Catalog Number

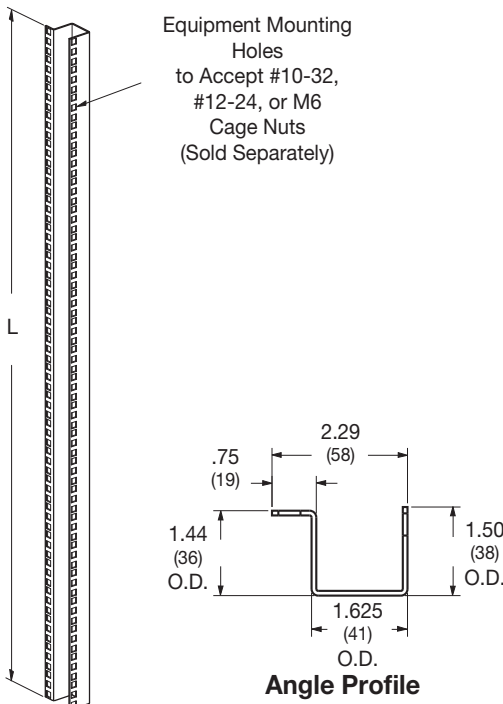
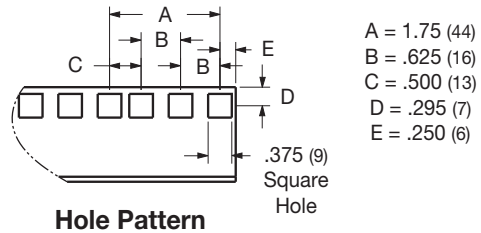
Heavy duty rack mounting angles are designed for mounting 19" (482mm) equipment in free-standing enclosures. A center post assembly, "CHAFxxCPS", on page 107, and a panel mounting center bracket, "CHAFCBRKT3", on page 110, (each sold separately) are required when mounting in any double door enclosure. Mounting holes are spaced at the 19" "EIA" standard and are provided to accept #10-32, #12-24, or M6 cage nuts (sold in packages of 100), on page 114.



'L' Shaped Mounting Angles

Mounting Angles	Fits Enclosure Height		L		Mounting U's
	in.	mm	in.	mm	
CHES-48RMA-L	48.00	1219	42.00	1067	24
CHES-60RMA-L	60.00	1524	54.25	1378	31
CHES-72RMA-L	72.00	1829	66.50	1689	38
CHES-90RMA-L	90.00	2286	78.75	2000	45

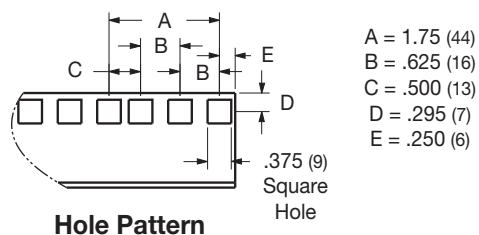
Kit contains two (2) full length 'L' angles, installation instructions and hardware necessary to mount in single-door enclosures. Yellow Zinc finish.



'U' Shaped Mounting Angles

Mounting Angles	Fits Enclosure Height		L		Mounting U's
	in.	mm	in.	mm	
CHES-48RMA-U	48.00	1219	42.00	1067	24
CHES-60RMA-U	60.00	1524	54.25	1378	31
CHES-72RMA-U	72.00	1829	66.50	1689	38
CHES-90RMA-U	90.00	2286	78.75	2000	45

Kit contains two (2) full length 'U' angles, installation instructions and hardware necessary to mount in single-door enclosures. Yellow Zinc finish.



Notes: Dimensions are in inches. Millimeters shown are for reference only. Data subject to change without notice.

Type 4X Panel Enclosures

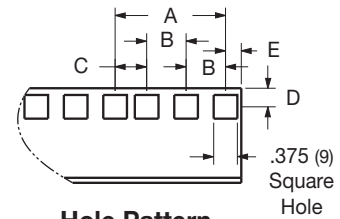
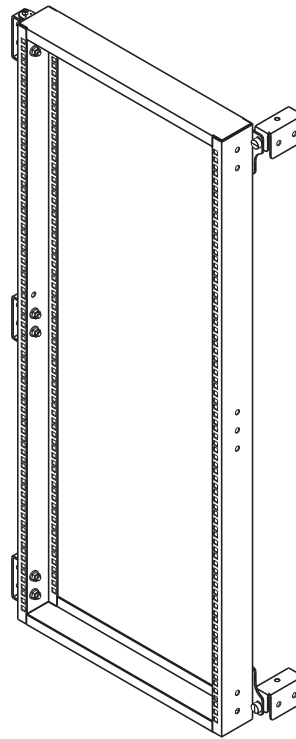
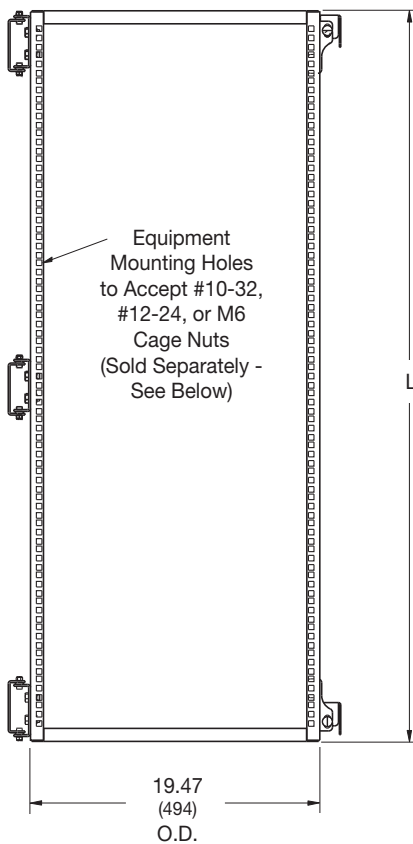
Free-Standing Enclosure Accessories Frames & Fasteners

Illustration Sheet and Catalog Number

Swing-Out Rack Mounted Frame

Mounting Angles	Fits Enclosure Height		L	
	in.	mm	in.	mm
Catalog #				
CHES-48SORMF	48.00	1219	36.91	937
CHES-60SORMF	60.00	1524	49.16	1248
CHES-72SORMF	72.00	1829	59.66	1515
CHES-90SORMF	90.00	2286	77.18	1960

Heavy duty swing-out rack mounting frames are designed for mounting 19" (482mm) equipment in free-standing enclosures. A center post assembly, "CHAFxxCPS", on page 107 and panel mounting center bracket, "CHAFCBRKT3", on page 110, (each sold separately) are required when mounting in any double door enclosure. Mounting holes are spaced per the "EIA" standard and are provided to accept #10-32, #12-24 or M6 cage nuts (sold in packages of 100). Swing-out rack mounting frames have white powder coated finish.



Hole Pattern

- A = 1.75 (44)
- B = .625 (16)
- C = .500 (13)
- D = .295 (7)
- E = .250 (6)

Type 4X Panel Enclosures



Catalog #	Screw Type
CHE2-MA-1032-PHMS-100	#10-32 Phillips
CHE2-MA-1224-PHMS-100	#12-24 Phillips
CHE2-MA-M6-PHMS-100	M6 Phillips



Catalog #	Cage Nut Type
CHE2-MA-CN-1032-100	#10-32 Tapped
CHE2-MA-CN-1224-100	#12-24 Tapped
CHE2-MA-CN-M6-100	M6 Tapped

Sold in bags of 100.

Notes: Dimensions are in inches. Millimeters shown are for reference only. Data subject to change without notice.

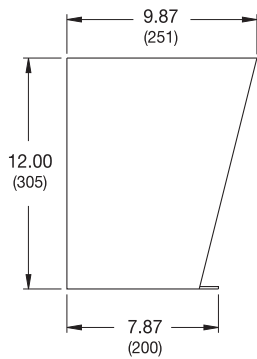
Type 4X Panel Enclosures

Free-Standing Enclosure Accessories Floor Stand & Enclosure Stabilizer Kits Illustration Sheet and Catalog Number

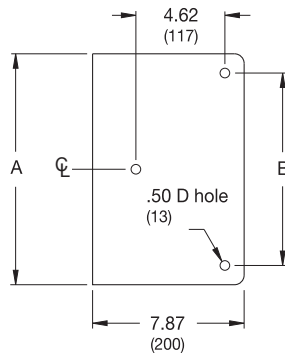


Floor stand kits are intended for use with EnviroShield™ Type 4X, Type 4 and Type 12 enclosures where floor support is required. Each kit consists of two (10) gauge legs and hardware for mounting. At the base of each leg is a pre-punched plate (see drawing). Steel kits have a gray polyester powder paint finish. Stainless steel kits are fabricated from 304 stainless steel. Standard floor stand kits are 12 inches (305 mm) high. For special heights, special material or non-standard construction, consult factory.

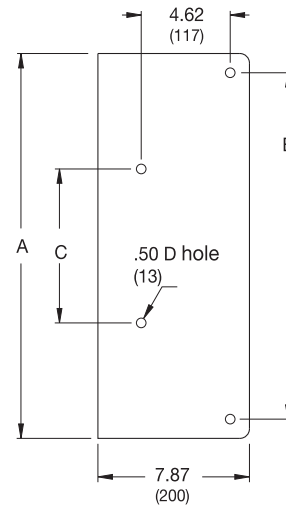
Catalog #		A		B		C	
Steel	Stainless	in.	mm.	in.	mm.	in.	mm.
CHMFK12	CHMFK12XS	12.00	305	10.06	256	-	-
CHMFK16	CHMFK16XS	16.00	406	14.06	357	-	-
CHMFK20	CHMFK20XS	20.00	508	18.06	459	8.00	203
CHMFK24	CHMFK24XS	24.00	610	22.06	560	10.00	254



Floor Stand Kit



Base 12 - 16 Deep

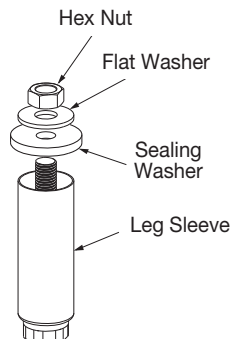
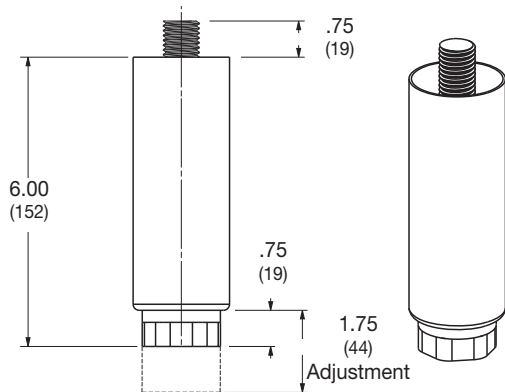


Base 20 - 24 Deep

Sanitary Leg Kit

Catalog #	Description
CHES-SMFK6	Set of four (4) legs

Kit allows space between enclosure and floor for compliance in NSF environments 1-3/4" (44mm) adjustment provides flexibility in all applications. Four (4) legs per kit, maintains UL/cUL Type 4X rating when properly installed.



Notes: Dimensions are in inches. Millimeters shown are for reference only. Data subject to change without notice.