

Type 4 Panel Enclosures

Wall-Mount Enclosures Type 4 Single-Door Data Sheet



Application

- Houses electrical controls and instruments
- Intended for indoor or outdoor use
- Protects against windblown dust and rain, splashing water and hose directed water

Standards

- UL 508 Listed, Type 4, Type 12 and Type 13
- CSA C22.2 No. 94 Certified, Type 4, Type 12 and Type 13
- Conforms to NEMA Standard for Type 4, Type 12 and Type 13

Finish

- Wash and phosphate undercoat
- ANSI 61 gray polyester powder finish

Accessories

- Panels
- NEMA terminal strap kit
- Terminal blocks
- Door lock kit
- Floor stand kit
- Touch-up paint
- See Accessories section

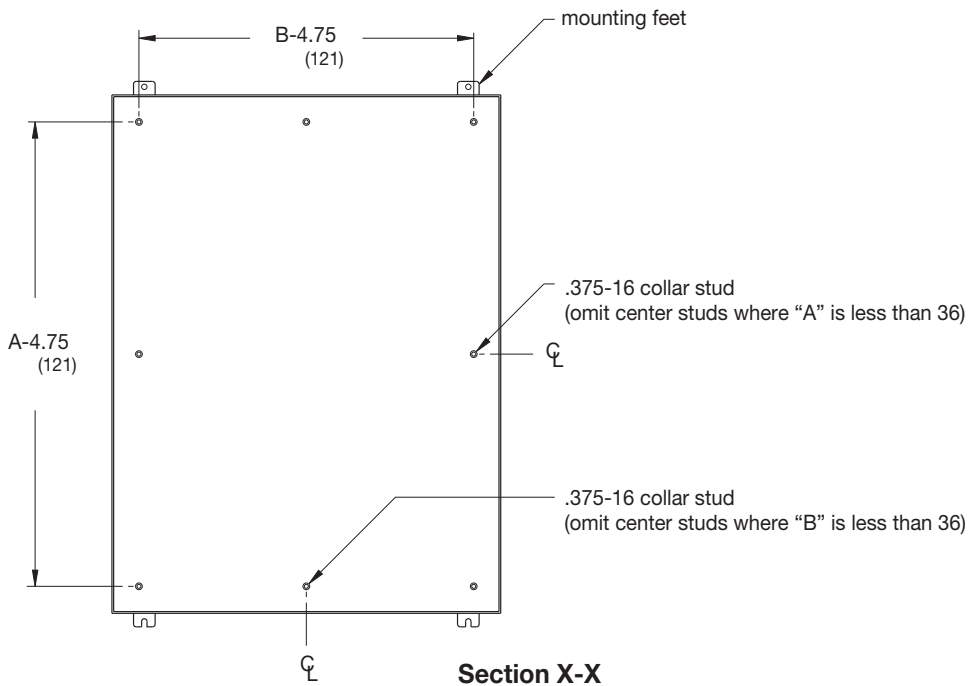
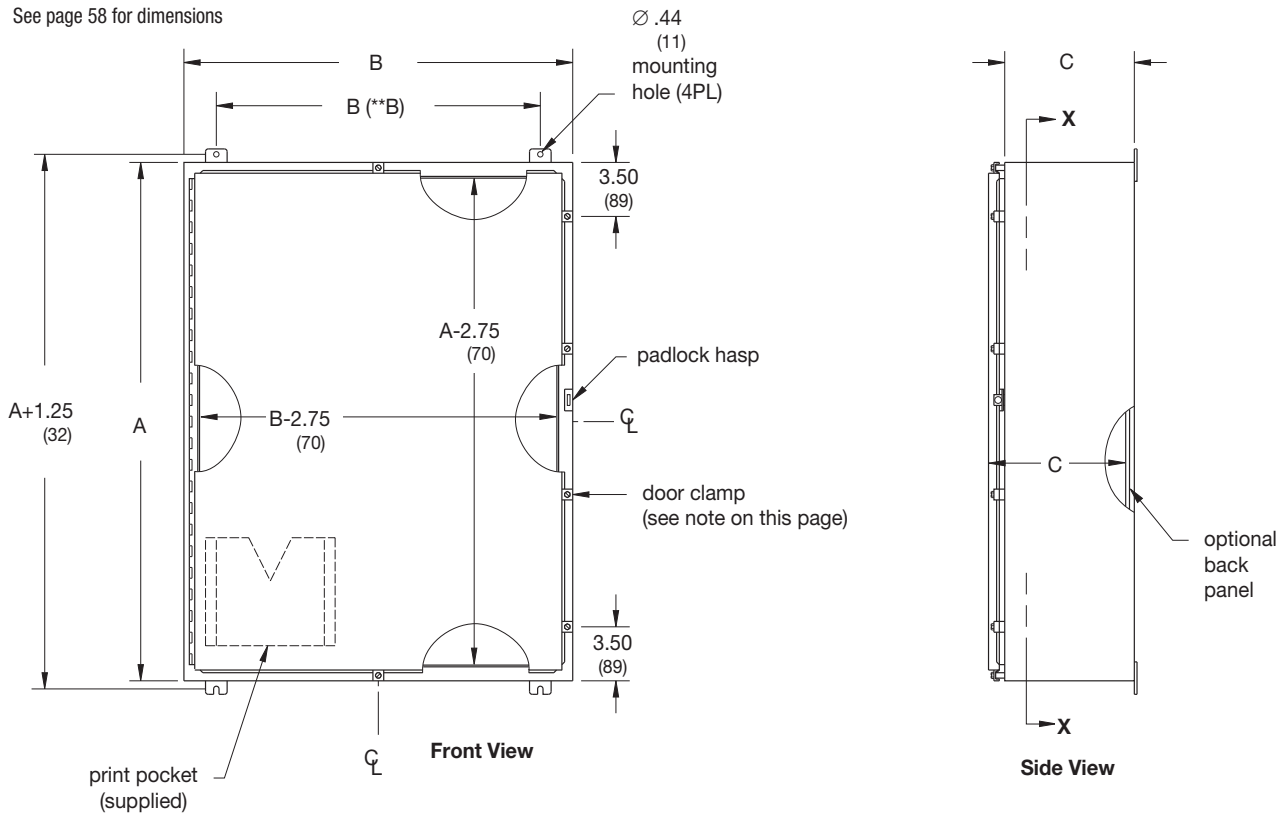
Construction

- Enclosure and door are fabricated from code gauge steel
- All continuous welded seams are finished smooth
- Doors are secured to the body with a heavy duty continuous hinge on one side and easy-to-release stainless steel door clamps mounted to the other three sides
- Ground stud provided on door
- Formed lip around enclosure opening diverts liquids and contaminants
- Each door has a padlock hasp with sealing hole provision
- Print pocket provided
- Door has a seamless poured in place gasket
- .375-16 collar studs are provided for mounting optional panel
- External mounting feet are provided for secure wall mounting

Type 4 Panel Enclosures

Wall-Mount Enclosures Type 4 Single-Door Illustration Sheet

See page 58 for dimensions



Notes: Dimensions: **B = (-2.50) if 12 inches wide; (-6.00) if wider than 12 inches. Clamps are mounted along three sides of the enclosure door. Spacing between clamps along side opposite the hinge does not exceed 15 inches. Dimensions are in inches. Millimeters shown are for reference only. Data subject to change without notice.

Type 4 Panel Enclosures

Wall-Mount Enclosures Type 4 Single-Door Catalog Number

Enclosure Catalog #	Enclosure Size Height x Width x Depth AxBxC		Gauge	Panel		Panel Size Height x Width	
	in.	mm.		Painted	Conductive	in.	mm.
CH16126-4	16.00 x 12.00 x 6.00	406 x 305 x 152	16	CHAW1612P	CHAW1612GP	13.00 x 9.00	330 x 229
CH16166-4	16.00 x 16.00 x 6.00	406 x 406 x 152	16	CHAW1616P	CHAW1616GP	13.00 x 13.00	330 x 330
CH16206-4	16.00 x 20.00 x 6.00	406 x 508 x 152	16	CHAW2016P	CHAW2016GP	13.00 x 17.00	330 x 432
CH20166-4	20.00 x 16.00 x 6.00	508 x 406 x 152	16	CHAW2016P	CHAW2016GP	17.00 x 13.00	432 x 330
CH20206-4	20.00 x 20.00 x 6.00	508 x 508 x 152	16	CHAW2020P	CHAW2020GP	17.00 x 17.00	432 x 432
CH24126-4	24.00 x 12.00 x 6.00	610 x 305 x 152	16	CHAW2412P	--	21.00 x 9.00	533 x 229
CH24166-4	24.00 x 16.00 x 6.00	610 x 406 x 152	16	CHAW2416P	CHAW2416GP	21.00 x 13.00	533 x 330
CH24206-4	24.00 x 20.00 x 6.00	610 x 508 x 152	16	CHAW2420P	CHAW2420GP	20.87 x 16.87	530 x 428
CH24246-4	24.00 x 24.00 x 6.00	610 x 610 x 152	14	CHAW2424P	CHAW2424GP	20.87 x 20.87	530 x 530
CH30206-4	30.00 x 20.00 x 6.00	762 x 508 x 152	14	CHAW3020P	CHAW3020GP	26.87 x 16.87	682 x 428
CH30246-4	30.00 x 24.00 x 6.00	762 x 610 x 152	14	CHAW3024P	CHAW3024GP	26.87 x 20.87	682 x 530
CH36246-4	36.00 x 24.00 x 6.00	914 x 610 x 152	14	CHAW3624P	CHAW3624GP	32.87 x 20.87	835 x 530
CH16128-4	16.00 x 12.00 x 8.00	406 x 305 x 203	16	CHAW1612P	CHAW1612GP	13.00 x 9.00	330 x 229
CH20168-4	20.00 x 16.00 x 8.00	508 x 406 x 203	16	CHAW2016P	CHAW2016GP	17.00 x 13.00	432 x 330
CH20208-4	20.00 x 20.00 x 8.00	508 x 508 x 203	16	CHAW2020P	CHAW2020GP	17.00 x 17.00	432 x 432
CH20248-4	20.00 x 24.00 x 8.00	508 x 610 x 203	16	CHAW2420P	CHAW2420GP	16.87 x 20.87	428 x 530
CH24208-4	24.00 x 20.00 x 8.00	610 x 508 x 203	16	CHAW2420P	CHAW2420GP	20.87 x 16.87	530 x 428
CH24248-4	24.00 x 24.00 x 8.00	610 x 610 x 203	14	CHAW2424P	CHAW2424GP	20.87 x 20.87	530 x 530
CH24308-4	24.00 x 30.00 x 8.00	610 x 762 x 203	14	CHAW3024P	CHAW3024GP	20.87 x 26.87	530 x 682
CH30208-4	30.00 x 20.00 x 8.00	762 x 508 x 203	14	CHAW3020P	CHAW3020GP	26.87 x 16.87	682 x 428
CH30248-4	30.00 x 24.00 x 8.00	762 x 610 x 203	14	CHAW3024P	CHAW3024GP	26.87 x 20.87	682 x 530
CH30308-4	30.00 x 30.00 x 8.00	762 x 762 x 203	14	CHAW3030P	CHAW3030GP	26.87 x 26.87	682 x 682
CH36248-4	36.00 x 24.00 x 8.00	914 x 610 x 203	14	CHAW3624P	CHAW3624GP	32.87 x 20.87	835 x 530
CH36308-4	36.00 x 30.00 x 8.00	914 x 762 x 203	14	CHAW3630P	CHAW3630GP	32.87 x 26.87	835 x 682
CH42308-4	42.00 x 30.00 x 8.00	1067 x 762 x 203	14	CHAW4230P	CHAW4230GP	38.87 x 26.87	987 x 682
CH42368-4	42.00 x 36.00 x 8.00	1067 x 914 x 203	14	CHAW4236P	CHAW4236GP	38.87 x 32.87	987 x 835
CH48368-4	48.00 x 36.00 x 8.00	1219 x 914 x 203	14	CHAW4836P	CHAW4836GP	44.87 x 32.87	1140 x 835
CH60368-4	60.00 x 36.00 x 8.00	1524 x 914 x 203	14	CHAW6036P	CHAW6036GP	56.87 x 32.87	1444 x 835
CH201610-4	20.00 x 16.00 x 10.00	508 x 406 x 254	16	CHAW2016P	CHAW2016GP	17.00 x 13.00	432 x 330
CH242010-4	24.00 x 20.00 x 10.00	610 x 508 x 254	16	CHAW2420P	CHAW2420GP	20.87 x 16.87	530 x 428
CH302410-4	30.00 x 24.00 x 10.00	762 x 610 x 254	14	CHAW3024P	CHAW3024GP	26.87 x 20.87	682 x 530
CH363010-4	36.00 x 30.00 x 10.00	914 x 762 x 254	14	CHAW3630P	CHAW3630GP	32.87 x 26.87	835 x 682
CH483010-4	48.00 x 30.00 x 10.00	1219 x 762 x 254	14	CHAW4830P	CHAW4830GP	44.87 x 26.87	1140 x 682
CH483610-4	48.00 x 36.00 x 10.00	1219 x 914 x 254	14	CHAW4836P	CHAW4836GP	44.87 x 32.87	1140 x 835
CH603610-4	60.00 x 36.00 x 10.00	1524 x 914 x 254	14	CHAW6036P	CHAW6036GP	56.87 x 32.87	1444 x 835
CH302412-4	30.00 x 24.00 x 12.00	762 x 610 x 305	14	CHAW3024P	CHAW3024GP	26.87 x 20.87	682 x 530
CH363012-4	36.00 x 30.00 x 12.00	914 x 762 x 305	14	CHAW3630P	CHAW3630GP	32.87 x 26.87	835 x 682
CH483612-4	48.00 x 36.00 x 12.00	1219 x 914 x 305	14	CHAW4836P	CHAW4836GP	44.87 x 32.87	1140 x 835
CH363016-4	36.00 x 30.00 x 16.00	914 x 762 x 406	14	CHAW3630P	CHAW3630GP	32.87 x 26.87	835 x 682
CH483616-4	48.00 x 36.00 x 16.00	1219 x 914 x 406	14	CHAW4836P	CHAW4836GP	44.87 x 32.87	1140 x 835
CH603616-4	60.00 x 36.00 x 16.00	1524 x 914 x 406	14	CHAW6036P	CHAW6036GP	56.87 x 32.87	1444 x 835

See page 9 for drawings.

Notes: Dimensions are in inches. Millimeters shown are for reference only. Data subject to change without notice.

Type 4 Panel Enclosures

Wall-Mount Enclosures

Type 4 Premier™ Series with Quarter-Turn Latches

Data Sheet and Catalog Number



Application

- Houses electrical controls and instruments
- Intended for indoor or outdoor use
- Protects against circulating and windblown dust, falling dirt, dripping non-corrosive liquids, rain, splashing water and hose directed water

Standards

- UL 508 Listed, Type 4 and Type 12
- cUL Listed, Type 4 and Type 12
- Conforms to NEMA Standard for Type 4 and Type 12

Finish

- Wash and phosphate undercoat
- ANSI 61 gray polyester powder finish

Accessories

- Premier panels
- NEMA panel adapters
- Depth adjustment brackets
- Print pockets
- Padlockable or keyed handles
- Security latch inserts
- Mounting foot kits
- EIA/TIA rack mounting angles
- Swing-out panels
- See Accessories section

Construction

- Enclosure and door are fabricated from code gauge steel
- All continuous welded seams are finished smooth
- Hardware kit provided contains grounding hardware, .312-18 flanged hex nuts for panel mounting, and sealing washers for body mounting holes

Body Construction

- Body flange trough design is formed around body opening to divert liquid contaminants away from door opening
- Reduced width flange design increases enclosure opening
- Ground stud provided in enclosure body
- .312-18 collar studs are provided for mounting optional Premier series panels
- Enclosure mounting holes in body provided for direct mounting or optional mounting feet
- Utility bracket provides wire management and accessory mounting options

Door Construction

- Doors are secured to the body with a unique spring-loaded hidden hinge design on one side and slotted quarter-turn flush latch(es) on the opposite side
- Doors are easily removed and interchangeable
- Door has a seamless poured in place gasket
- Door opens 170° for easy access
- Utility rail provides grounding, rigidity and wire management
- Window-door enclosures feature flush-mounted clear polycarbonate window

Enclosure Catalog #		Enclosure Size Height x Width x Depth AxBxC		Door/ Body	Panel	Panel Size Height x Width		Mounting DxE		Window Size FxG		Latch Qty.	J	
Solid Door	Window Door	in.	mm.	Gauge	Catalog #	in.	mm.	in.	mm.	in.	mm.		in.	mm.
CH1084-SD	-	10 x 8 x 4	254 x 203 x 102	16/16	CH108P	8.00 x 6.00	203 x 152	8.50 x 6.37	216 x 162	-	-	1	5.00	127
CH1086-SD	-	10 x 8 x 6	254 x 203 x 152	16/16	CH108P	8.00 x 6.00	203 x 152	8.50 x 6.37	216 x 162	-	-	1	5.00	127
CH12106-SD	-	12 x 10 x 6	305 x 254 x 152	16/16	CH1210P	10.00 x 8.00	254 x 203	10.50 x 8.37	267 x 213	-	-	1	6.00	152
CH12126-SD	CH12126-SDW	12 x 12 x 6	305 x 305 x 152	16/16	CH1212P	10.00 x 10.00	254 x 254	10.50 x 10.37	267 x 264	8.25 x 7.00	210 x 178	1	6.00	152
CH16126-SD	CH16126-SDW	16 x 12 x 6	406 x 305 x 152	16/16	CH1612P	14.00 x 10.00	356 x 254	14.50 x 10.37	368 x 264	12.25 x 7.00	311 x 178	1	8.00	203
CH16166-SD	-	16 x 16 x 6	406 x 406 x 152	16/16	CH1616P	14.00 x 14.00	356 x 356	14.50 x 14.37	368 x 365	-	-	1	8.00	203
CH16206-SD	-	16 x 20 x 6	406 x 508 x 152	16/16	CH2016P	14.00 x 18.00	356 x 457	14.50 x 18.37	368 x 467	-	-	1	8.00	203
CH20166-SD	CH20166-SDW	20 x 16 x 6	508 x 406 x 152	16/16	CH2016P	18.00 x 14.00	457 x 356	18.50 x 14.37	470 x 365	16.25 x 11.00	413 x 279	1	10.00	254
CH20206-SD	CH20206-SDW	20 x 20 x 6	508 x 508 x 152	16/16	CH2020P	18.00 x 18.00	457 x 457	18.50 x 18.37	470 x 467	16.25 x 15.00	413 x 381	1	10.00	254
CH24166-SD	-	24 x 16 x 6	610 x 406 x 152	16/16	CH2416P	22.00 x 14.00	559 x 356	22.50 x 14.37	572 x 365	-	-	1	5.00	127
CH24206-SD	CH24206-SDW	24 x 20 x 6	610 x 508 x 152	16/16	CH2420P	22.00 x 18.00	559 x 457	22.50 x 18.37	572 x 467	20.25 x 15.00	514 x 381	1	5.00	127
CH24246-SD	CH24246-SDW	24 x 24 x 6	610 x 610 x 152	14/16	CH2424P	22.00 x 22.00	559 x 559	22.50 x 22.37	572 x 568	20.25 x 17.62	514 x 448	2	5.00	127

Type 4 Panel Enclosures

Wall-Mount Enclosures

Type 4 Premier™ Series with Quarter-Turn Latches

Catalog Number

Enclosure Catalog #		Enclosure Size Height x Width x Depth AxBxC		Door/Body	Panel	Panel Size Height x Width		Mounting Dx E		Window Size FxG		Latch Qty	J	
Solid Door	Window Door	in.	mm.	Gauge	Catalog #	in.	mm.	in.	mm.	in.	mm.		in.	mm.
CH16128-SD	CH16128-SDW	16 x 12 x 8	406 x 305 x 203	16/16	CH1612P	14.00 x 10.00	356 x 254	14.50 x 10.37	368 x 264	12.25 x 7.00	311 x 178	1	8.00	203
CH16168-SD	-	16 x 16 x 8	406 x 406 x 203	16/16	CH1616P	14.00 x 14.00	356 x 356	14.50 x 14.37	368 x 365	-	-	1	8.00	203
CH16208-SD	-	16 x 20 x 8	406 x 508 x 203	16/16	CH2016P	14.00 x 18.00	356 x 457	14.50 x 18.37	368 x 467	-	-	1	8.00	203
CH20168-SD	CH20168-SDW	20 x 16 x 8	508 x 406 x 203	16/16	CH2016P	18.00 x 14.00	457 x 356	18.50 x 14.37	470 x 365	16.25 x 11.00	413 x 279	1	10.00	254
CH20208-SD	CH20208-SDW	20 x 20 x 8	508 x 508 x 203	16/16	CH2020P	18.00 x 18.00	457 x 457	18.50 x 18.37	470 x 467	16.25 x 15.00	413 x 381	1	10.00	254
CH20248-SD	-	20 x 24 x 8	508 x 610 x 203	16/16	CH2420P	18.00 x 22.00	457 x 559	18.50 x 22.37	470 x 568	-	-	1	10.00	254
CH24168-SD	-	24 x 16 x 8	610 x 406 x 203	16/16	CH2416P	22.00 x 14.00	559 x 356	22.50 x 14.37	572 x 365	-	-	1	5.00	127
CH24208-SD	CH24208-SDW	24 x 20 x 8	610 x 508 x 203	16/16	CH2420P	22.00 x 18.00	559 x 457	22.50 x 18.37	572 x 467	20.25 x 15.00	514 x 381	1	5.00	127
CH24248-SD	CH24248-SDW	24 x 24 x 8	610 x 610 x 203	14/16	CH2424P	22.00 x 22.00	559 x 559	22.50 x 22.37	572 x 568	20.25 x 17.62	514 x 448	2	5.00	127
CH24308-SD	-	24 x 30 x 8	610 x 762 x 203	14/16	CH2430P	22.00 x 28.00	559 x 711	22.50 x 28.37	572 x 721	-	-	2	5.00	127
CH30208-SD	-	30 x 20 x 8	762 x 508 x 203	14/16	CH3020P	28.00 x 18.00	711 x 457	28.50 x 18.37	724 x 467	-	-	2	5.00	127
CH30248-SD	CH30248-SDW	30 x 24 x 8	762 x 610 x 203	14/16	CH3024P	28.00 x 22.00	711 x 559	28.50 x 22.37	724 x 568	26.25 x 17.62	667 x 448	2	5.00	127
CH30308-SD	-	30 x 30 x 8	762 x 762 x 203	14/14	CH3030P	28.00 x 28.00	711 x 711	28.50 x 28.37	724 x 721	-	-	2	5.00	127
CH36248-SD	-	36 x 24 x 8	914 x 610 x 203	14/14	CH3624P	34.00 x 22.00	864 x 559	34.50 x 22.37	876 x 568	-	-	2	5.00	127
CH36308-SD	-	36 x 30 x 8	914 x 762 x 203	14/14	CH3630P	34.00 x 28.00	864 x 711	34.50 x 28.37	876 x 721	-	-	2	5.00	127
CH36368-SD	-	36 x 36 x 8	914 x 914 x 203	14/14	CH3636P	34.00 x 34.00	864 x 864	34.50 x 34.37	876 x 873	-	-	2	5.00	127
CH161210-SD	CH161210-SDW	16 x 12 x 10	406 x 305 x 254	16/16	CH1612P	14.00 x 10.00	356 x 254	14.50 x 10.37	368 x 264	12.25 x 7.00	311 x 178	1	8.00	203
CH161610-SD	-	16 x 16 x 10	406 x 406 x 254	16/16	CH1616P	14.00 x 14.00	356 x 356	14.50 x 14.37	368 x 365	-	-	1	8.00	203
CH162010-SD	-	16 x 20 x 10	406 x 508 x 254	16/16	CH2016P	14.00 x 18.00	356 x 457	14.50 x 18.37	368 x 467	-	-	1	8.00	203
CH201610-SD	CH201610-SDW	20 x 16 x 10	508 x 406 x 254	16/16	CH2016P	18.00 x 14.00	457 x 356	18.50 x 14.37	470 x 365	16.25 x 11.00	413 x 279	1	10.00	254
CH202010-SD	CH202010-SDW	20 x 20 x 10	508 x 508 x 254	16/16	CH2020P	18.00 x 18.00	457 x 457	18.50 x 18.37	470 x 467	16.25 x 15.00	413 x 381	1	10.00	254
CH202410-SD	-	20 x 24 x 10	508 x 610 x 254	16/16	CH2420P	18.00 x 22.00	457 x 559	18.50 x 22.37	470 x 568	-	-	1	10.00	254
CH241610-SD	-	24 x 16 x 10	610 x 406 x 254	16/16	CH2416P	22.00 x 14.00	559 x 356	22.50 x 14.37	572 x 365	-	-	1	5.00	127
CH242010-SD	CH242010-SDW	24 x 20 x 10	610 x 508 x 254	16/16	CH2420P	22.00 x 18.00	559 x 457	22.50 x 18.37	572 x 467	20.25 x 15.00	514 x 381	1	5.00	127
CH242410-SD	CH242410-SDW	24 x 24 x 10	610 x 610 x 254	14/16	CH2424P	22.00 x 22.00	559 x 559	22.50 x 22.37	572 x 568	20.25 x 17.62	514 x 448	2	5.00	127
CH243010-SD	-	24 x 30 x 10	610 x 762 x 254	14/16	CH3024P	22.00 x 28.00	559 x 711	22.50 x 28.37	572 x 721	-	-	2	5.00	127
CH302010-SD	-	30 x 20 x 10	762 x 508 x 254	14/16	CH3020P	28.00 x 18.00	711 x 457	28.50 x 18.37	724 x 467	-	-	2	5.00	127
CH302410-SD	CH302410-SDW	30 x 24 x 10	762 x 610 x 254	14/16	CH3024P	28.00 x 22.00	711 x 559	28.50 x 22.37	724 x 568	26.25 x 17.62	667 x 448	2	5.00	127
CH303010-SD	-	30 x 30 x 10	762 x 762 x 254	14/14	CH3030P	28.00 x 28.00	711 x 711	28.50 x 28.37	724 x 721	-	-	2	5.00	127
CH362410-SD	-	36 x 24 x 10	914 x 610 x 254	14/14	CH3624P	34.00 x 22.00	864 x 559	34.50 x 22.37	876 x 568	-	-	2	5.00	127
CH363010-SD	-	36 x 30 x 10	914 x 762 x 254	14/14	CH3630P	34.00 x 28.00	864 x 711	34.50 x 28.37	876 x 721	-	-	2	5.00	127
CH363610-SD	-	36 x 36 x 10	914 x 914 x 254	14/14	CH3636P	34.00 x 34.00	864 x 864	34.50 x 34.37	876 x 873	-	-	2	5.00	127
CH423610-SD	-	42 x 36 x 10	1067 x 914 x 254	14/14	CH4236P	40.00 x 34.00	1016 x 864	40.50 x 34.37	1029 x 873	-	-	3	5.00	127
CH482410-SD	-	48 x 24 x 10	1219 x 610 x 254	14/14	CH4824P	46.00 x 22.00	1168 x 559	46.50 x 22.37	1181 x 568	-	-	3	5.00	127
CH483610-SD	-	48 x 36 x 10	1219 x 914 x 254	14/14	CH4836P	46.00 x 34.00	1168 x 864	46.50 x 34.37	1181 x 873	-	-	3	5.00	127
CH603610-SD	-	60 x 36 x 10	1524 x 914 x 254	14/14	CH6036P	58.00 x 34.00	1473 x 864	58.50 x 34.37	1486 x 873	-	-	3	5.00	127
CH202012-SD	CH202012-SDW	20 x 20 x 12	508 x 508 x 305	16/16	CH2020P	18.00 x 18.00	457 x 457	18.50 x 18.37	470 x 467	16.25 x 15.00	413 x 381	1	10.00	254
CH242012-SD	CH242012-SDW	24 x 20 x 12	610 x 508 x 305	16/16	CH2420P	22.00 x 18.00	559 x 457	22.50 x 18.37	572 x 467	20.25 x 15.00	514 x 381	1	5.00	127
CH242412-SD	CH242412-SDW	24 x 24 x 12	610 x 610 x 305	14/16	CH2424P	22.00 x 22.00	559 x 559	22.50 x 22.37	572 x 568	20.25 x 17.62	514 x 448	2	5.00	127
CH302412-SD	CH302412-SDW	30 x 24 x 12	762 x 610 x 305	14/16	CH3024P	28.00 x 22.00	711 x 559	28.50 x 22.37	724 x 568	26.25 x 17.62	667 x 448	2	5.00	127
CH303012-SD	-	30 x 30 x 12	762 x 762 x 305	14/14	CH3030P	28.00 x 28.00	711 x 711	28.50 x 28.37	724 x 721	-	-	2	5.00	127
CH362412-SD	-	36 x 24 x 12	914 x 610 x 305	14/14	CH3624P	34.00 x 22.00	864 x 559	34.50 x 22.37	876 x 568	-	-	2	5.00	127
CH363012-SD	-	36 x 30 x 12	914 x 762 x 305	14/14	CH3630P	34.00 x 28.00	864 x 711	34.50 x 28.37	876 x 721	-	-	2	5.00	127
CH363612-SD	-	36 x 36 x 12	914 x 914 x 305	14/14	CH3636P	34.00 x 34.00	864 x 864	34.50 x 34.37	876 x 873	-	-	2	5.00	127
CH423612-SD	-	42 x 36 x 12	1067 x 914 x 305	14/14	CH4236P	40.00 x 34.00	1016 x 864	40.50 x 34.37	1029 x 873	-	-	3	5.00	127
CH482412-SD	-	48 x 24 x 12	1219 x 610 x 305	14/14	CH4824P	46.00 x 22.00	1168 x 559	46.50 x 22.37	1181 x 568	-	-	3	5.00	127
CH483612-SD	-	48 x 36 x 12	1219 x 914 x 305	14/14	CH4836P	46.00 x 34.00	1168 x 864	46.50 x 34.37	1181 x 873	-	-	3	5.00	127
CH603612-SD	-	60 x 36 x 12	1524 x 914 x 305	14/14	CH6036P	58.00 x 34.00	1473 x 864	58.50 x 34.37	1486 x 873	-	-	3	5.00	127
CH242416-SD	CH242416-SDW	24 x 24 x 16	610 x 610 x 406	14/14	CH2424P	22.00 x 22.00	559 x 559	22.50 x 22.37	572 x 568	20.25 x 17.62	514 x 448	2	5.00	127
CH363016-SD	-	36 x 30 x 16	914 x 762 x 406	14/14	CH3630P	34.00 x 28.00	864 x 711	34.50 x 28.37	876 x 721	-	-	2	5.00	127
CH483616-SD	-	48 x 36 x 16	1219 x 914 x 406	14/14	CH4836P	46.00 x 34.00	1168 x 864	46.50 x 34.37	1181 x 873	-	-	3	5.00	127
CH242420-SD	CH242420-SDW	24 x 24 x 20	610 x 610 x 508	14/14	CH2424P	22.00 x 22.00	559 x 559	22.50 x 22.37	572 x 568	20.25 x 17.62	514 x 448	2	5.00	127
CH302420-SD	CH302420-SDW	30 x 24 x 20	762 x 610 x 508	14/14	CH3024P	28.00 x 22.00	711 x 559	28.50 x 22.37	724 x 568	26.25 x 17.62	667 x 448	2	5.00	127
CH363020-SD	-	36 x 30 x 20	914 x 762 x 508	14/14	CH3630P	34.00 x 28.00	864 x 711	34.50 x 28.37	876 x 721	-	-	2	5.00	127

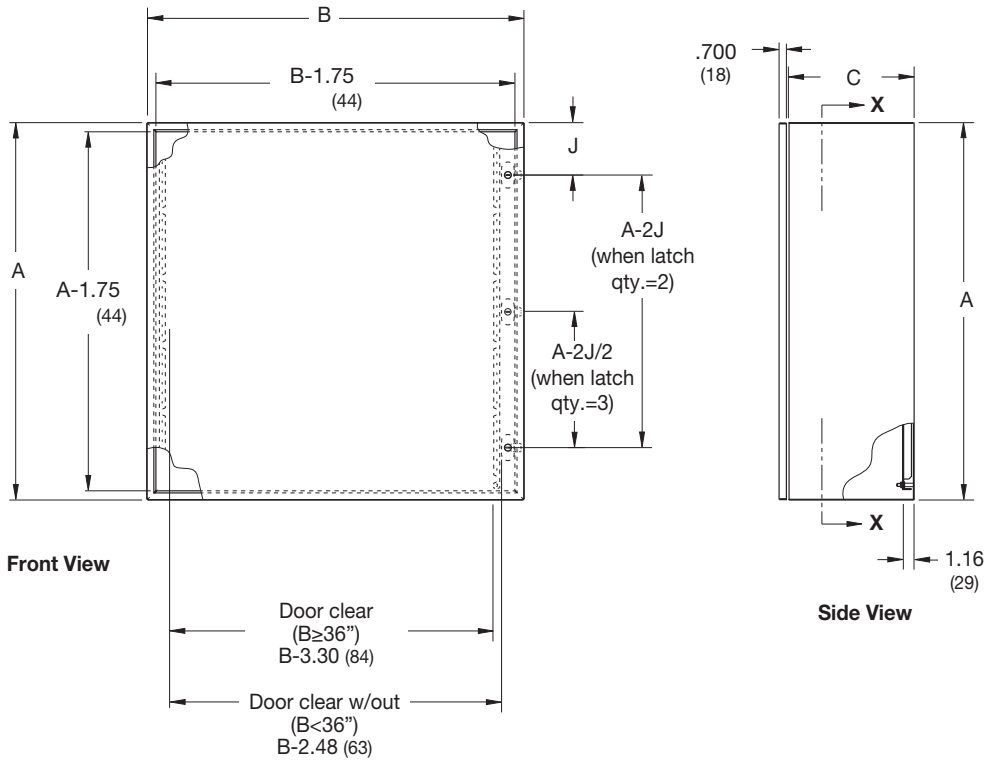
Notes: Dimensions are in inches. Millimeters shown are for reference only. Data subject to change without notice.

Type 4 Panel Enclosures

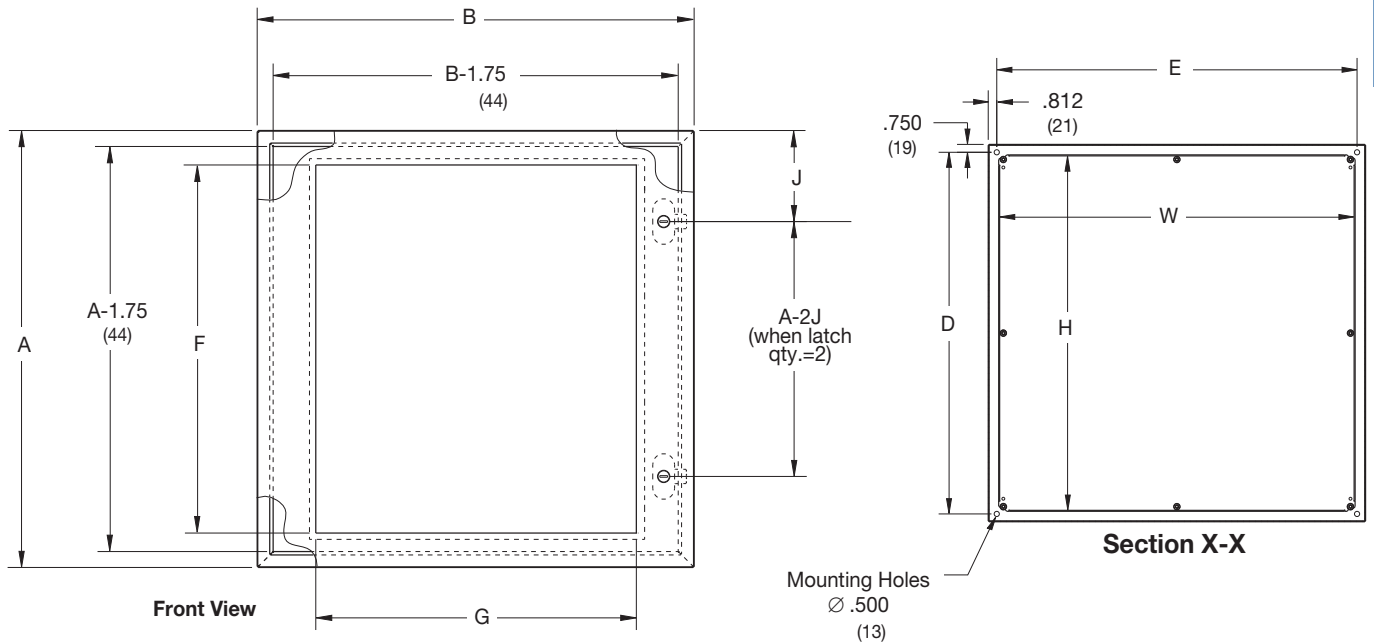
Wall-Mount Enclosures

Type 4 Premier™ Series with Quarter-Turn Latches

Illustration Sheet



Without Window



With Window

Notes: Dimensions are in inches. Millimeters shown are for reference only. Data subject to change without notice.

Type 4 Panel Enclosures

Wall-Mount Enclosures

Type 4 Premier™ Series Flush-Mount with Quarter-Turn Latches

Data Sheet



Application

- Houses electrical controls and instruments
- Intended for indoor or outdoor use
- Protects against circulating and windblown dust, falling dirt, dripping non-corrosive liquids, rain, splashing water and hose directed water

Standards

- UL 508 Listed, Type 4 and Type 12
- cUL Listed, Type 4 and Type 12
- Conforms to NEMA Standard for Type 4 and Type 12

Finish

- Wash and phosphate undercoat
- ANSI 61 gray polyester powder finish

Accessories

- Premier panels
- Security latch inserts
- NEMA panel adapters
- Mounting foot kits
- Depth adjustment brackets
- EIA/TIA rack mounting angles
- Print pockets
- Swing-out panels
- Padlockable or keyed handles
- See Accessories section

Construction

- Enclosure and door are fabricated from code gauge steel
- All continuous welded seams are finished smooth
- Hardware kit provided contains grounding hardware, .312-18 flanged hex nuts for panel mounting, and sealing washers for body mounting holes

Body Construction

- Body flange trough design is formed around body opening to divert liquid contaminants away from door opening
- Reduced width flange design increases enclosure opening
- Ground stud provided in enclosure body
- .312-18 collar studs are provided for mounting optional Premier Series panels
- Enclosure mounting holes in body provided for direct mounting or optional mounting feet
- Utility bracket provides wire management and accessory mounting options

Door Construction

- Doors are secured to the body with a unique spring-loaded hidden hinge design on one side and slotted quarter-turn flush latch(es) on the opposite side
- Flush cover for recessed wall-mounting
- Doors are easily removed and interchangeable
- Door has a seamless poured in place gasket
- Door opens 170° for easy access
- Utility rail provides grounding, rigidity and wire management
- Window-door enclosures feature flush-mounted clear polycarbonate window

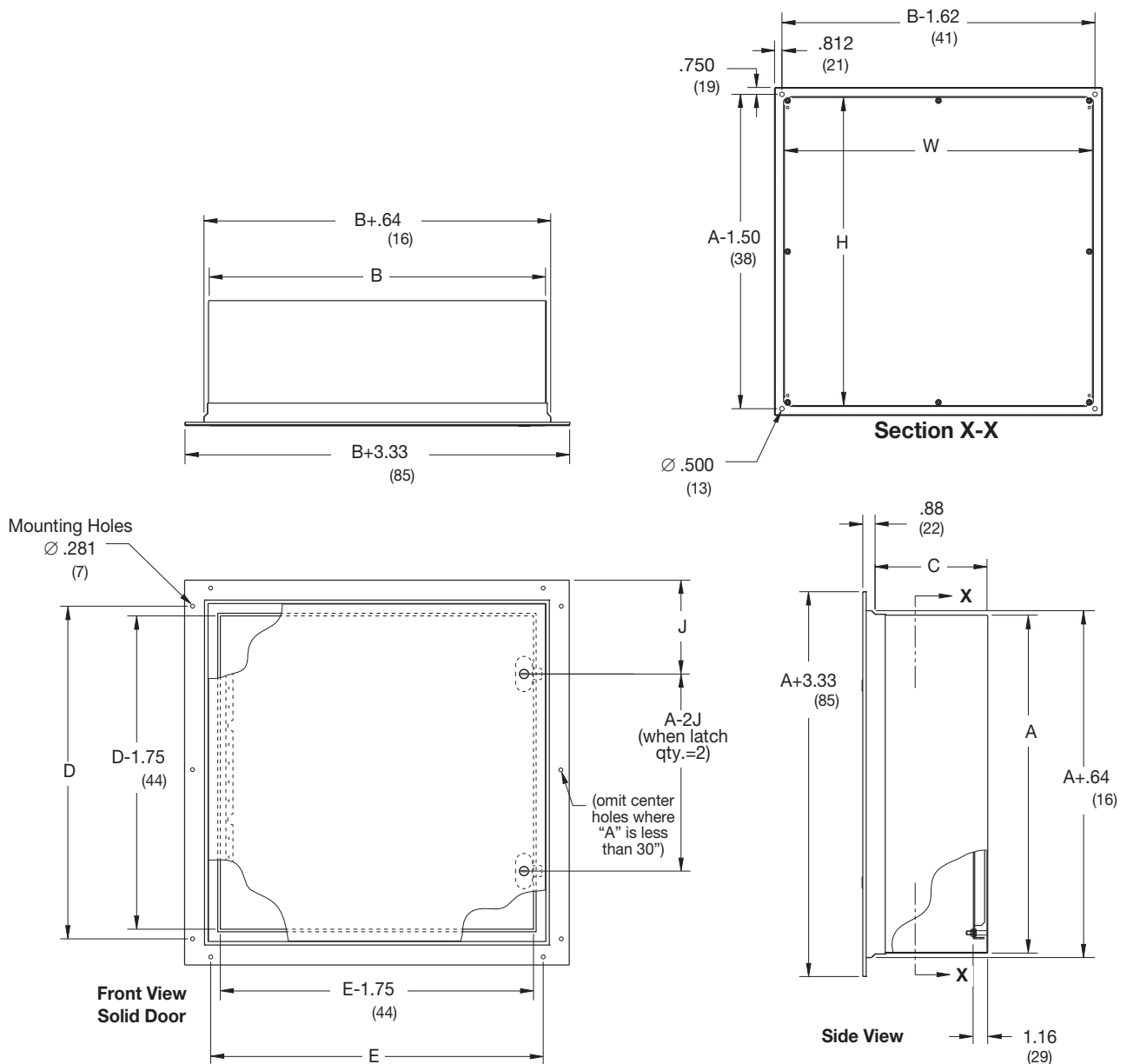
Type 4 Panel Enclosures

Wall-Mount Enclosures

Type 4 Premier™ Series Flush-Mount with Quarter-Turn Latches

Illustration Sheet and Catalog Number

Enclosure Catalog #	Enclosure Size Height x Width x Depth AxBxC		Door/Body Gauge	Panel Catalog #	Panel Size Height x Width		Mounting DxEx		Latch Qty	J	
	in.	mm.			in.	mm.	in.	mm.		in.	mm.
CH12126-FM	12.00 x 12.00 x 6.00	305 x 305 x 152	16/16	CH1212P	10.00 x 10.00	254 x 254	11.62 x 11.62	295 x 295	1	6.00	152
CH16126-FM	16.00 x 12.00 x 6.00	406 x 305 x 152	16/16	CH1612P	14.00 x 10.00	356 x 254	15.62 x 11.62	397 x 295	1	8.00	203
CH20166-FM	20.00 x 16.00 x 6.00	508 x 406 x 152	16/16	CH2016P	18.00 x 14.00	457 x 356	19.62 x 15.62	498 x 397	1	10.00	254
CH20206-FM	20.00 x 20.00 x 6.00	508 x 508 x 152	16/16	CH2020P	18.00 x 18.00	457 x 457	19.62 x 19.62	498 x 498	1	10.00	254
CH24208-FM	24.00 x 20.00 x 8.00	610 x 508 x 203	16/16	CH2420P	22.00 x 18.00	559 x 457	23.62 x 19.62	600 x 498	1	5.00	127
CH24248-FM	24.00 x 24.00 x 8.00	610 x 610 x 203	14/16	CH2424P	22.00 x 22.00	559 x 559	23.62 x 23.62	600 x 600	2	5.00	127
CH30248-FM	30.00 x 24.00 x 8.00	762 x 610 x 203	14/16	CH3024P	28.00 x 22.00	711 x 559	29.62 x 23.62	752 x 600	2	5.00	127



Notes: Dimensions are in inches. Millimeters shown are for reference only. Data subject to change without notice.