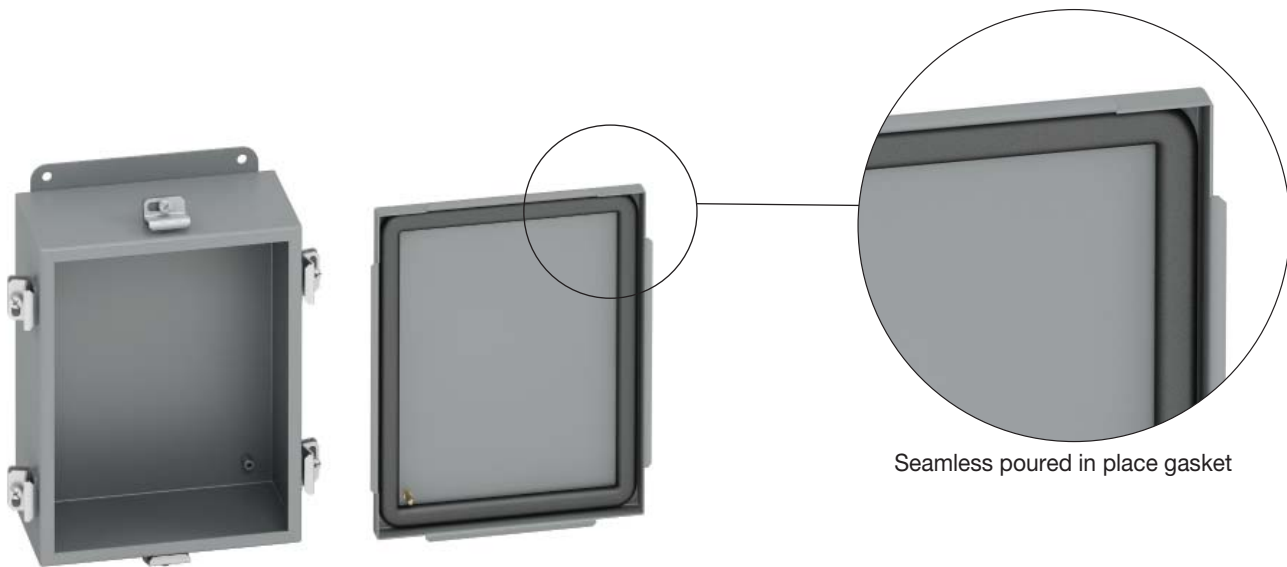


Type 4 Panel Enclosures

JIC Enclosures Type 4 Lift-Off Cover Data Sheet



Application

- Houses electrical controls and instruments
- Intended for indoor or outdoor use
- Protects against windblown dust and rain, splashing water and hose directed water

Standards

- UL 508 Listed, Type 4, Type 12 and Type 13
- CSA C22.2 No. 94 Certified, Type 4, Type 12 and Type 13
- Conforms to NEMA Standard for Type 4, Type 12 and Type 13
- Conforms to JIC Standard EGP-1-1967

Finish

- Wash and phosphate undercoat
- ANSI 61 gray polyester powder finish

Accessories

- Panels
- JIC terminal strap kit
- JIC terminal strip kit
- Terminal blocks
- Touch-up paint
- See Accessories section

Construction

- Enclosure and cover are fabricated from (16) gauge steel
- All continuous welded seams are finished smooth
- Cover is secured to the body with easy-to-operate stainless steel screw clamps mounted on all four sides
- Cover has a seamless poured in place gasket
- Ground stud provided on cover
- #10-32 weld nuts are provided for mounting optional panel on 6" x 4" and larger enclosures
- External mounting feet are provided for secure wall mounting

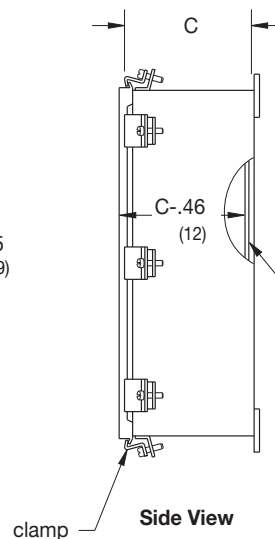
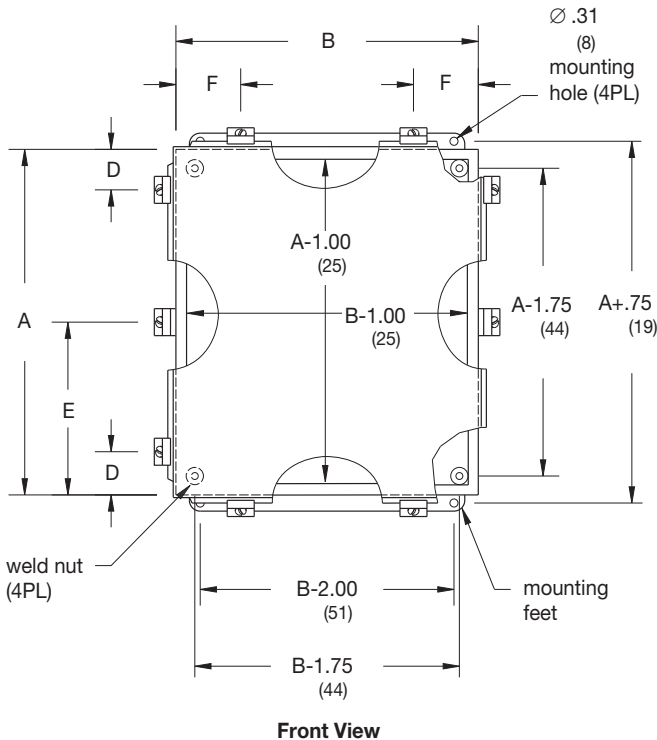
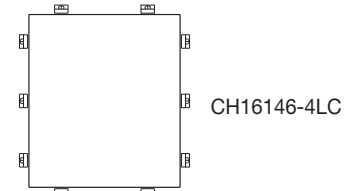
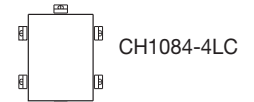
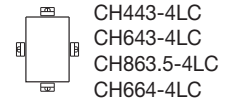
Type 4 Panel Enclosures

JIC Enclosures

Type 4 Lift-Off Cover

Illustration Sheet and Catalog Number

Enclosure Catalog #	Enclosure Size Height x Width x Depth AxBxC		D		E		F		Panel Catalog Number		Panel Size Height x Width	
	in.	mm.	in.	mm.	in.	mm.	in.	mm.	Painted	Conductive	in.	mm.
CH443-4LC	4.00 x 4.00 x 3.00	102 x 102 x 76	2.00	51	-	-	2.00	51	-	-	-	-
CH643-4LC	6.00 x 4.00 x 3.00	152 x 102 x 76	3.00	76	-	-	2.00	51	CHAW64P	CHAW64GP	4.87 x 2.87	124 x 73
CH863.5-4LC	8.00 x 6.00 x 3.50	203 x 152 x 89	4.00	102	-	-	3.00	76	CHAW86P	CHAW86GP	6.87 x 4.87	174 x 124
CH664-4LC	6.00 x 6.00 x 4.00	152 x 152 x 102	3.00	76	-	-	3.00	76	CHAW66P	CHAW66GP	4.87 x 4.87	124 x 124
CH1084-4LC	10.00 x 8.00 x 4.00	254 x 203 x 102	2.00	51	-	-	4.00	102	CHAW108P	CHAW108GP	8.87 x 6.87	225 x 174
CH12105-4LC	12.00 x 10.00 x 5.00	305 x 254 x 127	3.00	76	-	-	2.00	51	CHAW1210P	CHAW1210GP	10.87 x 8.87	276 x 225
CH14126-4LC	14.00 x 12.00 x 6.00	356 x 305 x 152	3.00	76	-	-	3.00	76	CHAW1412P	CHAW1412GP	12.87 x 10.87	327 x 276
CH16146-4LC	16.00 x 14.00 x 6.00	406 x 356 x 152	2.00	51	8.00	203	3.00	76	CHAW1614P	CHAW1614GP	14.87 x 12.87	378 x 327



Cover Clamp
Layout

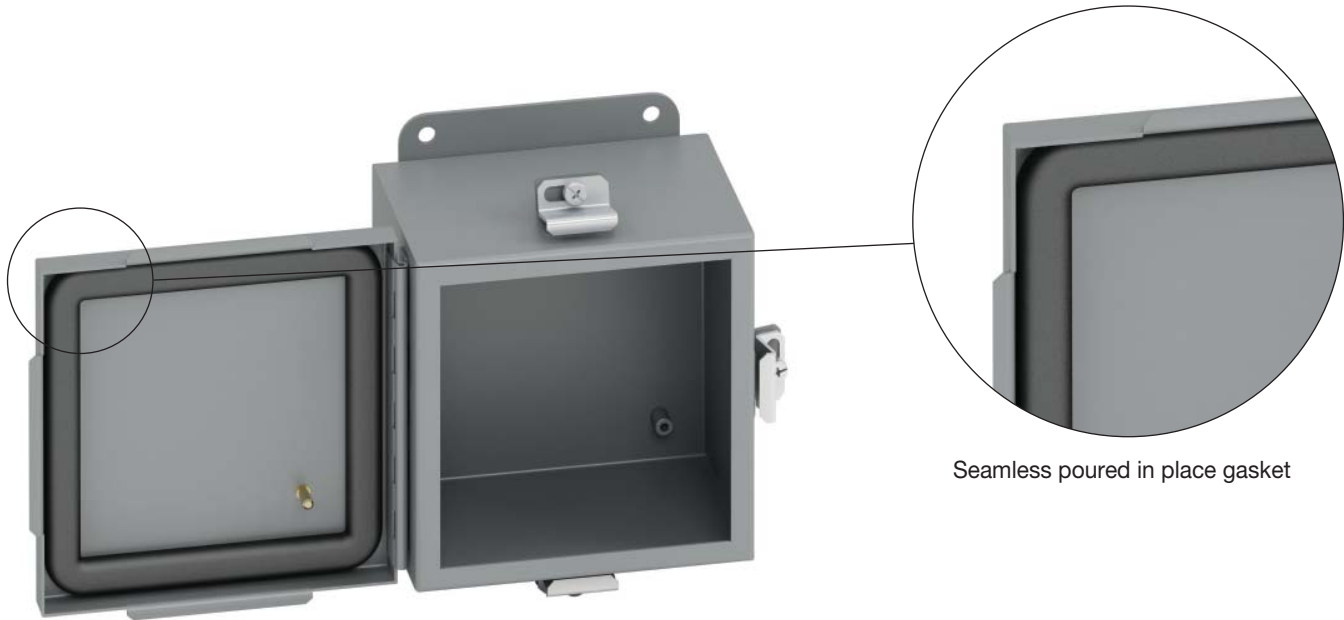
Notes: Dimensions are in inches. Millimeters shown are for reference only. Data subject to change without notice.

Type 4 Panel Enclosures

JIC Enclosures

Type 4 Continuous Hinge Cover

Data Sheet



Seamless poured in place gasket

Application

- Houses electrical controls and instruments
- Intended for indoor or outdoor use
- Protects against windblown dust and rain, splashing water and hose directed water

Standards

- UL 508 Listed, Type 4, Type 12 and Type 13
- CSA C22.2 No. 94 Certified, Type 4, Type 12 and Type 13
- Conforms to NEMA Standard for Type 4, Type 12 and Type 13
- Conforms to JIC Standard EGP-1-1967

Finish

- Wash and phosphate undercoat
- ANSI 61 gray polyester powder finish

Accessories

- Panels
- JIC terminal strap kit
- JIC terminal strip kit
- Terminal blocks
- Touch-up paint
- See Accessories section

Construction

- Enclosure and cover are fabricated from (16) gauge steel
- All continuous welded seams are finished smooth
- Cover is secured to the body with a continuous hinge on one side and easy-to-operate stainless steel screw clamps mounted to the opposite side
- Stainless steel hinge pin
- Cover has a seamless poured in place gasket
- Ground stud provided on cover
- #10-32 weld nuts are provided for mounting optional panel on 6" x 4" and larger enclosures
- External mounting feet are provided for secure wall mounting

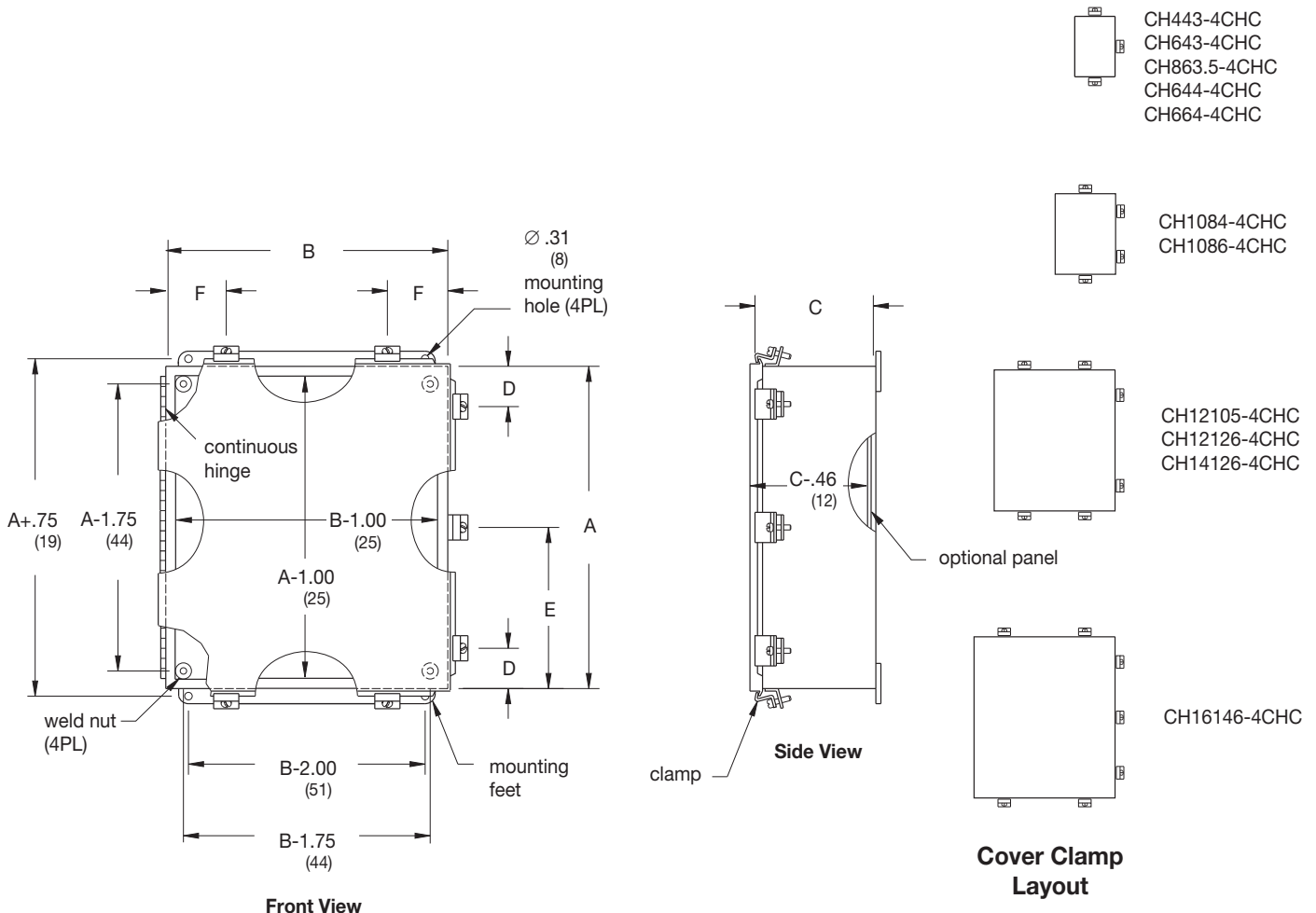
Type 4 Panel Enclosures

JIC Enclosures

Type 4 Continuous Hinge Cover

Illustration Sheet and Catalog Number

Enclosure Catalog #	Enclosure Size Height x Width x Depth AxBxC		D		E		F		Panel Catalog Number		Panel Size Height x Width	
	in.	mm.	in.	mm.	in.	mm.	in.	mm.	Steel	Conductive	in.	mm.
CH443-4CHC	4.00 x 4.00 x 3.00	102 x 102 x 76	2.00	51	-	-	2.00	51	-	-	-	-
CH643-4CHC	6.00 x 4.00 x 3.00	152 x 102 x 76	3.00	76	-	-	2.00	51	CHAW64P	CHAW6G4P	4.87 x 2.87	124 x 73
CH863.5-4CHC	8.00 x 6.00 x 3.50	203 x 152 x 89	4.00	102	-	-	3.00	76	CHAW86P	CHAW86GP	6.87 x 4.87	174 x 124
CH644-4CHC	6.00 x 4.00 x 4.00	152 x 102 x 102	3.00	76	-	-	2.00	51	CHAW64P	CHAW64GP	4.87 x 2.87	124 x 73
CH664-4CHC	6.00 x 6.00 x 4.00	152 x 152 x 102	3.00	76	-	-	3.00	76	CHAW66P	CHAW66GP	4.87 x 4.87	124 x 124
CH1084-4CHC	10.00 x 8.00 x 4.00	254 x 203 x 102	2.00	51	-	-	4.00	102	CHAW108P	CHAW108GP	8.87 x 6.87	225 x 174
CH12105-4CHC	12.00 x 10.00 x 5.00	305 x 254 x 127	3.00	76	-	-	2.00	51	CHAW1210P	CHAW1210GP	10.87 x 8.87	276 x 225
CH1086-4CHC	10.00 x 8.00 x 6.00	254 x 203 x 152	2.00	51	-	-	4.00	102	CHAW108P	CHAW108GP	8.87 x 6.87	225 x 174
CH12126-4CHC	12.00 x 12.00 x 6.00	305 x 305 x 152	3.00	76	-	-	3.00	76	CHAW1212P	CHAW1212GP	10.87 x 10.87	276 x 276
CH14126-4CHC	14.00 x 12.00 x 6.00	356 x 305 x 152	3.00	76	-	-	3.00	76	CHAW1412P	CHAW1412GP	12.87 x 10.87	327 x 276
CH16146-4CHC	16.00 x 14.00 x 6.00	406 x 356 x 152	2.00	51	8.00	203	3.00	76	CHAW1614P	CHAW1614GP	14.87 x 12.87	378 x 327



Notes: Dimensions are in inches. Millimeters shown are for reference only. Data subject to change without notice.

Type 4 Panel Enclosures

JIC Enclosures

Type 4 Continuous Hinge Cover with Quarter-Turn Latches

Data and Illustration Sheet



Application

- Houses electrical controls and instruments
- Intended for indoor or outdoor use
- Protects against windblown dust and rain, splashing water and hose directed water

Standards

- UL 508 Listed, Type 4, Type 12
- CSA C22.2 No. 94 Certified, Type 4, Type 12
- Conforms to NEMA Standards for Type 3, Type 4, Type 12
- Conforms to JIC Standards EGP-1-1967

Finish

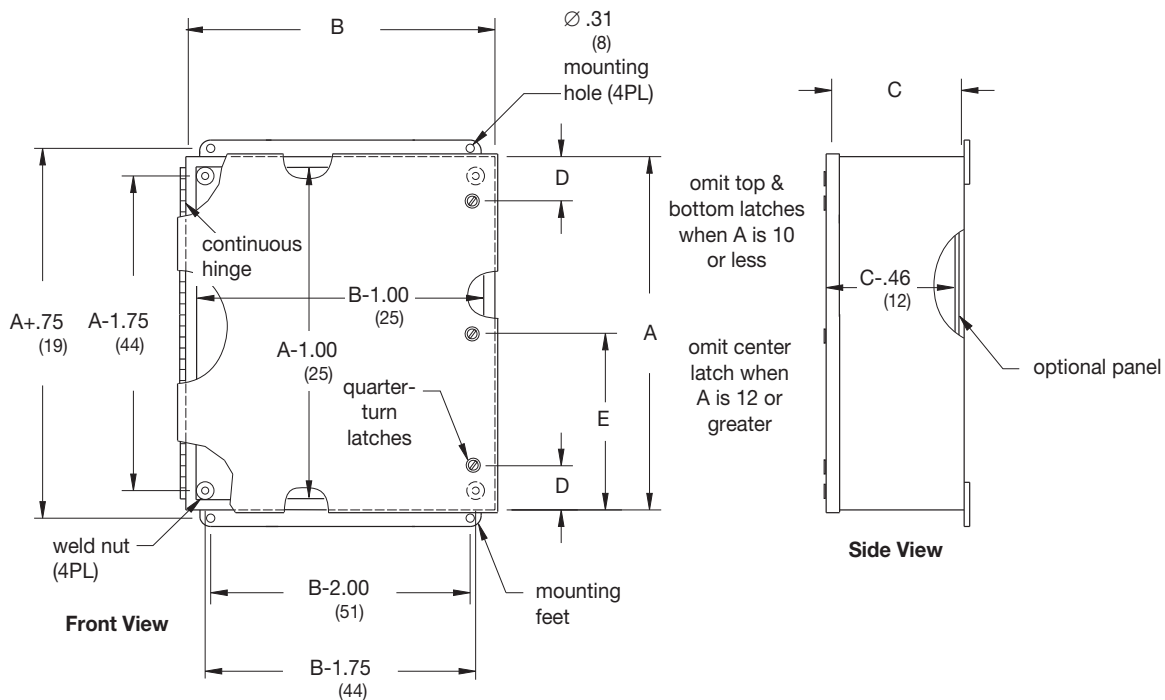
- Wash and phosphate undercoat
- ANSI 61 gray polyester powder finish

Accessories

- Panels
- Swing-out panel kits
- JIC terminal kits
- Window kits
- Locks and latches

Construction

- Enclosure and cover are fabricated from (16) gauge steel
- All continuous welded seams are finished smooth
- Continuous hinge with stainless steel hinge pin
- Slotted quarter-turn flush latch(es)
- Cover has a seamless poured in place gasket
- Ground stud provided on cover
- #10-32 weld nuts are provided for mounting optional panel on 6" x 4" and larger enclosures
- External mounting feet



Type 4 Panel Enclosures

JIC Enclosures

Type 4 Continuous Hinge Cover with Quarter-Turn Latches

Illustration Sheet and Catalog Number

Enclosure Catalog #	Enclosure Size Height x Width x Depth AxBxC		D		E		Panel Catalog #	Conductive Catalog #	Panel Size Height x Width	
	in.	mm.	in.	mm.	in.	mm.			in.	mm.
CH443-4QT	4.00 x 4.00 x 3.00	101 x 101 x 76	-	-	2	51	-	-	-	-
CH643-4QT	6.00 x 4.00 x 3.00	152 x 101 x 76	-	-	3	76	CHAW64P	CHAW64GP	4.87 x 2.87	123 x 73
CH863.5-4QT	8.00 x 6.00 x 3.50	203 x 152 x 89	-	-	4	101	CHAW86P	CHAW86GP	6.87 x 4.87	174 x 123
CH864-4QT	8.00 x 6.00 x 4.00	203 x 152 x 101	-	-	4	101	CHAW86P	CHAW86GP	6.87 x 4.87	174 x 123
CH444-4QT	4.00 x 4.00 x 4.00	101 x 101 x 101	-	-	2	51	-	-	-	-
CH644-4QT	6.00 x 4.00 x 4.00	152 x 101 x 101	-	-	3	76	CHAW64P	CHAW64GP	4.87 x 2.87	123 x 73
CH664-4QT	6.00 x 6.00 x 4.00	152 x 152 x 101	-	-	3	76	CHAW66P	CHAW66GP	4.87 x 4.87	123 x 123
CH884-4QT	8.00 x 8.00 x 4.00	203 x 203 x 101	-	-	4	101	CHAW88P	CHAW88GP	6.87 x 6.87	174 x 174
CH1084-4QT	10.00 x 8.00 x 4.00	254 x 203 x 101	-	-	5	127	CHAW108P	CHAW108GP	8.87 x 6.87	225 x 174
CH1264-4QT	12.00 x 6.00 x 4.00	305 x 152 x 101	3	76	-	-	CHAW126P	-	10.87 x 4.87	276 x 123
CH12105-4QT	12.00 x 10.00 x 5.00	305 x 254 x 127	3	76	-	-	CHAW1210P	CHAW1210GP	10.87 x 8.87	276 x 225
CH866-4QT	8.00 x 6.00 x 6.00	203 x 152 x 152	-	-	4	101	CHAW86P	CHAW86GP	6.87 x 4.87	174 x 123
CH886-4QT	8.00 x 8.00 x 6.00	203 x 203 x 152	-	-	4	101	CHAW88P	CHAW88GP	6.87 x 6.87	174 x 174
CH1086-4QT	10.00 x 8.00 x 6.00	254 x 203 x 152	-	-	5	127	CHAW108P	CHAW108GP	8.87 x 6.87	225 x 174
CH10106-4QT	10.00 x 10.00 x 6.00	254 x 254 x 152	-	-	5	127	CHAW1010P	CHAW1010GP	8.87 x 8.87	225 x 225
CH12106-4QT	12.00 x 10.00 x 6.00	305 x 254 x 152	3	76	-	-	CHAW1210P	CHAW1210GP	10.87 x 8.87	276 x 225
CH12126-4QT	12.00 x 12.00 x 6.00	305 x 305 x 152	3	76	-	-	CHAW1212P	CHAW1212GP	10.87 x 10.87	276 x 276
CH1486-4QT	14.00 x 8.00 x 6.00	355 x 203 x 152	3	76	-	-	CHAW148P	-	12.87 x 6.87	327 x 174
CH14126-4QT	14.00 x 12.00 x 6.00	355 x 305 x 152	3	76	-	-	CHAW1412P	CHAW1412GP	12.87 x 10.87	327 x 276
CH16106-4QT	16.00 x 10.00 x 6.00	406 x 254 x 152	3	76	-	-	CHAW1610P	-	14.87 x 8.87	377 x 225
CH16146-4QT	16.00 x 14.00 x 6.00	406 x 355 x 152	3	76	-	-	CHAW1614P	CHAW1614GP	14.87 x 12.87	377 x 327
CH12108-4QT	12.00 x 10.00 x 8.00	305 x 254 x 203	3	76	-	-	CHAW1210P	CHAW1210GP	10.87 x 8.87	276 x 225
CH14128-4QT	14.00 x 12.00 x 8.00	355 x 305 x 203	3	76	-	-	CHAW1412P	CHAW1412GP	12.87 x 10.87	327 x 276
CH16148-4QT	16.00 x 14.00 x 8.00	406 x 355 x 203	3	76	-	-	CHAW1614P	CHAW1614GP	14.87 x 12.87	377 x 327
CH161410-4QT	16.00 x 14.00 x 10.00	406 x 355 x 254	3	76	-	-	CHAW1614P	AW1614GP	14.87 x 12.87	377 x 327



Quarter-Turn Latch
Layout



CH443-4QT
CH643-4QT
CH863.5-4QT
CH864-4QT
CH444-4QT
CH644-4QT
CH664-4QT
CH884-4QT
CH866-4QT
CH886-4QT
CH1084-4QT
CH1086-4QT
CH10106-4QT

CH1264-4QT
CH12105-4QT
CH12106-4QT
CH12126-4QT
CH1486-4QT
CH14126-4QT
CH16106-4QT
CH16146-4QT
CH12108-4QT
CH14128-4QT
CH16148-4QT
CH161410-4QT

Notes: Dimensions are in inches. Millimeters shown are for reference only. Data subject to change without notice.