

# 4E QBX Series Enclosures

Cl. I, Div. 2, Groups A, B, C, D  
NEMA 3S, 4 (Painted Steel), 4X (Stainless Steel), IP66

## Sheet or Stainless Steel Removable Hinge Cover

### QBX Series

#### Features/Applications:

The QBX series of enclosures are available in two types of material and have been developed for the light industrial market.


Stainless steel is recommended to give maximum protection for components in outdoor/aggressive environments.

Specifically designed for the accommodation of rail mounted terminals or other electro/pneumatic components. The QBX series is user friendly and offers good access internally.

- Fully removable hinged cover, concealed hinges provide 180° opening
- Cover mounting, one or two ¼ turn latches (slot shape)
- 10 key lockable variations
- Form-in-place polyurethane gasket
- M6 ground stud in box and cover
- Mounting through internal holes (types 3S and 4) or with external lugs (type 4X)
- Pole mounting kit available



#### Certifications and Compliances:

- Class I, Division 2, Groups A, B, C, D
- cULus to UL50/C22.2 No. 94-M91 mild steel: Types 3S, 4, 4X (E115376) 
- GL Certified

#### Specifications:

Description	Type	Specification
<b>Material</b>	All Types	Stainless steel grades 304 (1.4301) or sheet steel Grade 316L (1.4404 to EN 10088) stainless steel available RAL7032 standard paint color for painted steel enclosures (others available upon request)
<b>Finish</b>	Flat Electro Polished Finish	Flat Electro Polished Finish
<b>Gasket</b>	All Types	Form-In-Place Polyurethane
<b>Cover Mounting</b>	All Types	2 or 3 Hinges / 1 or 2¼ Turn Latches
<b>Gland Plates</b>	QBX302012, 303012, 403012, 403022 All Other Sizes	1 Gland Plate Bottom Face 2 Gland Plates on Bottom Face
<b>Grounding</b>	All Types	M6 Studs in Base and Cover
<b>Enclosure Mounting</b>	All Types	Holes Through Back of Enclosure or Using External Mounting Lugs
<b>Equipment Mounting</b>	All Types	IP66 to BSEN60529
<b>Temperature Range</b>	All Types	-4°F (-20°C) to +176°F (80°C)

#### Factory Options (Consult Factory):

<b>Material</b>	Special Materials or Thickness According to Customer Specification 316L stainless steel available on all sizes (change S2 to S1 in the respective catalog number)
<b>Finish</b>	Special Colors According to Customer Specification
<b>Sizes</b>	Special Sizes According to Customer Specification
<b>Equipment</b>	Terminals, Myers Hubs, and Glands Assembled According to Customer Specification
<b>Gland Plates</b>	Drilled Cable Glands Fitted to Customer Specification
<b>Ground Studs</b>	Also Available Fitted to Gland Plates
<b>Cover Attachments</b>	e.g. Handles and Locks
<b>Mounting Plates</b>	All QBX Enclosures have a standard non-painted mounting plate; painted mounting plates and stainless steel mounting plates are available

## Sheet or Stainless Steel Removable Hinge Cover Ordering Information and Accessories

### QBX Series Ordering Information

(All QBX Enclosures include a zinc steel unpainted mounting plate in the single catalog number)

#### Painted Sheet Steel RAL 7032

Depth 4.72" Size	Cat. #	Weight (lb)
11.81" x 7.87"	QBXPS302012UL	6.13
11.81" x 11.81"	QBXPS303012UL	7.96
15.75" x 11.81"	QBXPS403012UL	10.74
15.75" x 15.75"	QBXPS404012UL	13.14
19.68" x 15.75"	QBXPS504012UL	14.15
23.62" x 15.75"	QBXPS604012UL	16.33

#### Painted Sheet Steel RAL 7032

Depth 8.66" Size	Cat. #	Weight (lb)
11.81" x 11.18"	QBXPS303022UL	11.35
11.81" x 15.75"	QBXPS304022UL	13.73
15.75" x 11.81"	QBXPS403022UL	13.73
15.75" x 15.75"	QBXPS404022UL	16.42
15.75" x 19.68"	QBXPS405022UL	19.11
19.68" x 15.75"	QBXPS504022UL	19.11
19.68" x 19.68"	QBXPS505022UL	22.13
19.68" x 23.62"	QBXPS506022UL	25.15
23.62" x 15.75"	QBXPS604022UL	21.62
23.62" x 19.68"	QBXPS605022UL	25.15
23.62" x 23.62"	QBXPS606022UL	28.66
27.56" x 19.68"	QBXPS705022UL	28.17
27.56" x 23.62"	QBXPS706022UL	31.81
31.50" x 23.62"	QBXPS806022UL	34.50
36.00" x 23.62"	QBXPS906022UL	38.58
36.00" x 31.50"	QBXPS908022UL	48.28
36.00" x 36.00"	QBXPS909022UL	53.13

#### Stainless Steel (304) Brushed

Depth 4.72" Size	Cat. #	Weight (lb)
11.81" x 7.87"	QBXS2302012UL	6.48
11.81" x 11.81"	QBXS2303012UL	8.43
15.75" x 11.81"	QBXS2403012UL	10.74
15.75" x 15.75"	QBXS2404012UL	12.34
19.68" x 15.75"	QBXS2504012UL	14.98
23.62" x 15.75"	QBXS2604012UL	18.43

#### Stainless Steel (304) Brushed

Depth 8.66" Size	Cat. #	Weight (lb)
11.81" x 11.81"	QBXS2303022UL	11.40
11.81" x 15.75"	QBXS2304022UL	13.78
15.75" x 11.81"	QBXS2403022UL	13.78
15.75" x 15.75"	QBXS2404022UL	16.49
15.75" x 19.68"	QBXS2405022UL	19.19
19.68" x 15.75"	QBXS2504022UL	19.19
19.68" x 19.68"	QBXS2505022UL	22.22
19.68" x 23.62"	QBXS2506022UL	25.25
23.62" x 15.75"	QBXS2604022UL	22.26
23.62" x 19.68"	QBXS2605022UL	25.25
23.62" x 23.62"	QBXS2606022UL	29.98
27.56" x 19.68"	QBXS2705022UL	28.28
27.56" x 23.62"	QBXS2706022UL	31.95
31.50" x 23.62"	QBXS2806022UL	34.75
36.00" x 23.62"	QBXS2906022UL	39.24
36.00" x 31.50"	QBXS2908022UL	49.01
36.00" x 36.00"	QBXS2909022UL	53.90

Note: For 316L stainless steel, change S2 to S1 in catalog number. All enclosures are supplied with zinc coated mounting plate

### Accessories:

#### Stand-Off Pillars M6:

Type	Cat. #	Length (Inches)
SP15 (Set of 2)	ACCSOP15	0.59"
SP20 (Set of 2)	ACCSOP20	0.79"
SP30 (Set of 2)	ACCSOP30	1.18"

#### Rail Mounting Bracket:

Type	Cat. #	Suitability
QZB	QBXRMB	For All Types

\*Not UL Listed.

#### Mounting Feet:

Type	Cat. #	Suitability
QMF (Set of 4)	QBXPMSF	For All Types (Steel)
QSF (Set of 4)	QBXS1MF	For All Types (Stainless Steel)

#### Further Accessories:

Type	Cat. #
Ground Cable	QBXEARTH CAB
Grounding Accessory Kit	QBXEARTHKIT

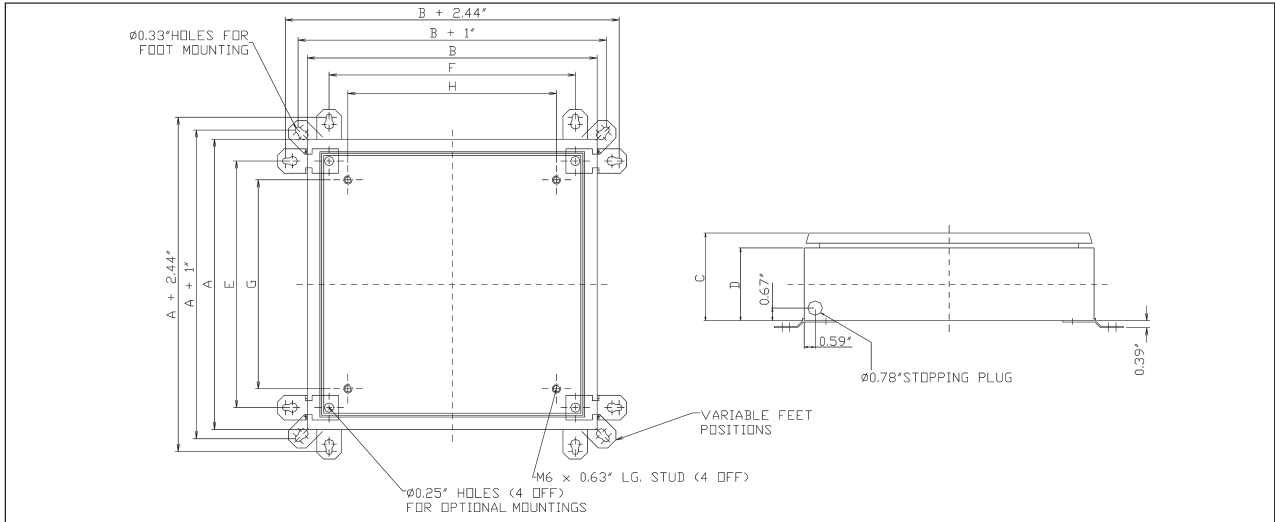
Type	Lock Inserts (Key Not Included Unless Stated)	Cat. #	Keys Cat. #
Slot Shape	QBXLKSL0T		N/A
Eastern European (D Shape)	QBXLKEE		QBXKEYEE
Double Bit Shape	QBXLKD0BS		QBXKEYDBS
Square 8mm	QBXLKSQ8		QBXKEYSQ8
Square 7mm	QBXLKSQ7		QBXKEYSQ7
Triangular 8mm	QBXLKTR8		QBXKEYTR8
Triangular 7mm	QBXLKTR7		QBXKEYTR7
Crown Shape	QBXLKCWN		QBXKEYCWN
Wing Knob Insert with Standard Key	QBXLKWKI		QBXKEYWNI
L Padlockable Handle 10mm	QBXLKPAD		N/A

# 4E QBX Series Enclosures

Cl. I, Div. 2, Groups A, B, C, D  
NEMA 3S, 4 (Painted Steel), 4X (Stainless Steel), IP66

## Sheet or Stainless Steel Removable Hinge Cover Dimensions

### Dimensions In Inches:



4E

Enclosure Type 4.72" Depth	A Length	B Width	C Height	D	E	F	G	H
QBX302012	11.81	7.87	4.72	9.34	9.45	5.51	7.4	3.46
QBX303012	11.81	11.81	4.72	9.34	9.45	9.45	7.4	7.40
QBX403012	15.75	11.81	4.72	9.34	13.39	9.45	11.34	7.40
QBX404012	15.75	15.75	4.72	9.34	13.39	13.39	11.34	11.34
QBX504012	19.68	15.75	4.72	9.34	17.32	13.39	15.28	11.34
QBX604012	23.62	15.75	4.72	9.34	21.26	13.39	19.21	11.34

Enclosure Type 8.66" Depth	A Length	B Width	C Height	D	E	F	G	H
QBX303022	11.81	11.81	8.66	7.87	9.45	9.45	7.40	7.40
QBX304022	11.81	15.75	8.66	7.87	9.45	13.39	7.40	11.34
QBX403022	15.75	11.81	8.66	7.87	13.39	9.45	11.34	7.40
QBX404022	15.75	15.75	8.66	7.87	13.39	13.39	11.34	11.34
QBX405022	15.75	19.68	8.66	7.87	13.39	17.32	11.34	15.28
QBX504022	19.68	15.75	8.66	7.87	17.32	13.39	15.28	11.34
QBX505022	19.68	19.68	8.66	7.87	17.32	17.32	15.28	15.28
QBX506022	19.68	23.62	8.66	7.87	17.32	21.26	15.28	19.21
QBX604022	23.62	15.75	8.66	7.87	21.26	13.39	19.21	11.34
QBX605022	23.62	19.68	8.66	7.87	21.26	17.32	19.21	15.28
QBX606022	23.62	23.62	8.66	7.87	21.26	21.26	19.21	19.21
QBX705022	27.56	19.68	8.66	7.87	25.2	17.32	23.15	15.28
QBX706022	27.56	23.62	8.66	7.87	25.2	21.26	23.15	19.21
QBX806022	31.49	23.62	8.66	7.87	29.15	21.26	27.08	19.21

### Enclosure side identification

