



Panels

JIC Panels, NEMA Panels, JIC Perforated Panels, Medium Perforated Panels, Flanged Panels 118-122

Panel Accessories - JIC & NEMA Swing Panel Kits, Panel Supports, Lifting Hooks 123-125

Window Kits - Fixed & Hinged 126-127

Door Accessories - Door Stops & Print Pockets 127

Locks, Latches, Inserts, Handles, Clamps

Locks, Latches, Inserts, & Handles 128-134

Clamp Kits, Padlock Kit 135-137

Bolt-On Accessories

Folding Shelf Kit & Gland Plates, Floor Stand Kit & Stabilizer 138-139

Louver Plate Kits, Filters, & Filter Adhesive 140-141

Baffle Plates & Hole Seals, Drip Shields & Casters, Barriers, Component Mounting Device 142-144

Electrical Accessories

JIC & NEMA Terminal Strap & Block Strip Kits 145-147

Terminal Blocks - Channel Mounted & Flat Base, Terminal Strap Support 148-150

Enclosure Lights, Interlocks & Power Strips 151-152

Receptacles 153

Hardware

Hardware Packages, Ground Lug & Devices, Sealing Devices, Clamping Nuts, Touch-up Paint 154-155

Panels & Panel Accessories

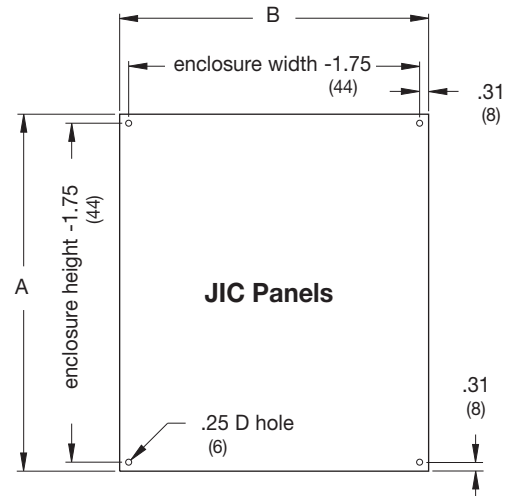
JIC Panels

Illustration Sheet and Catalog Number

JIC Flat Panel Catalog #				A		B		Gauge	Fits Enclosure Height x Width	
Painted Steel	Galvanized Steel	Stainless	Aluminum	in.	mm.	in.	mm.		in.	mm.
CHAW64P	CHAW64GP	CHAW64SP	CHAW64AP	4.87	124	2.87	73	14	6.00 x 4.00	152 x 102
CHAW66P	CHAW66GP	CHAW66SP	CHAW66AP	4.87	124	4.87	124	14	6.00 x 6.00	152 x 152
CHAW86P	CHAW86GP	CHAW86SP	CHAW86AP	6.87	174	4.87	124	14	8.00 x 6.00	203 x 152
CHAW88P	CHAW88GP	CHAW88SP	CHAW88AP	6.87	174	6.87	174	14	8.00 x 8.00	203 x 203
CHAW108P	CHAW108GP	CHAW108SP	CHAW108AP	8.87	225	6.87	174	14	10.00 x 8.00	254 x 203
CHAW1010P	CHAW1010GP	CHAW1010SP	CHAW1010AP	8.87	225	8.87	225	14	10.00 x 10.00	254 x 254
CHAW126P	-	-	-	10.87	276	4.87	124	14	12.00 x 6.00	305 x 152
CHAW1210P	CHAW1210GP	CHAW1210SP	CHAW1210AP	10.87	276	8.87	225	14	12.00 x 10.00	305 x 254
CHAW1212P	CHAW1212GP	CHAW1212SP	CHAW1212AP	10.87	276	10.87	276	14	12.00 x 12.00	305 x 305
CHAW148P	-	-	-	12.87	327	6.87	174	14	14.00 x 8.00	356 x 203
CHAW1412P	CHAW1412GP	CHAW1412SP	CHAW1412AP	12.87	327	10.87	276	14	14.00 x 12.00	356 x 305
CHAW1610P	-	-	-	14.87	378	8.87	225	14	16.00 x 10.00	406 x 254
CHAW1614P	CHAW1614GP	CHAW1614SP	CHAW1614AP	14.87	378	12.87	327	14	16.00 x 14.00	406 x 356



JIC panels can be installed in all types of JIC enclosures. Some sizes will fit the NEMA 12 lay-in wireway junction box. Panels are available in steel, galvanized steel, stainless and aluminum. Painted steel panels have a white powder finish. Stainless steel and aluminum panels have a smooth brushed finish on one side and are protected with PVC film.



Notes: Dimensions are in inches. Millimeters shown are for reference only. Data subject to change without notice.

Accessories

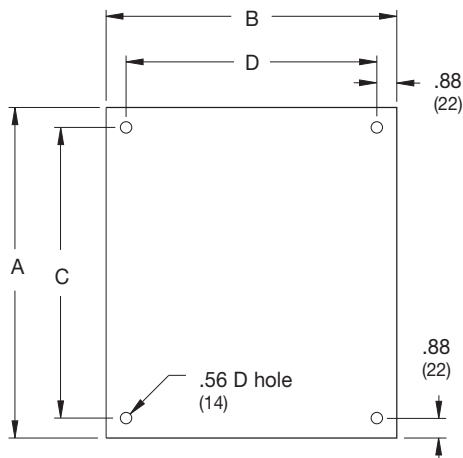
Panels & Panel Accessories

NEMA Flat Panels

Illustration Sheet and Catalog Number

NEMA Flat Panel Catalog #				A		B		C		D		Gauge	Fits Enclosure Height x Width	
Painted Steel	Galvanized Steel	Stainless	Aluminum	in.	mm.	in.	mm.	in.	mm.	in.	mm.		in.	mm.
CHAW1612P	CHAW1612GP	CHAW1612SP	CHAW1612AP	13.00	330	9.00	229	11.25	286	7.25	184	12	16.00 x 12.00	406 x 305
CHAW1616P	CHAW1616GP	CHAW1616SP	CHAW1616AP	13.00	330	13.00	330	11.25	286	11.25	286	12	16.00 x 16.00	406 x 406
CHAW2012P	-	-	-	17.00	432	9.00	229	15.25	387	7.25	184	12	20.00 x 12.00	508 x 305
CHAW2016P	CHAW2016GP	CHAW2016SP	CHAW2016AP	17.00	432	13.00	330	15.25	387	11.25	286	12	20.00* x 16.00*	508 x 406
CHAW2020P	CHAW2020GP	CHAW2020SP	CHAW2020AP	17.00	432	17.00	432	15.25	387	15.25	387	12	20.00 x 20.00	508 x 508
CHAW2412P	-	CHAW2412SP	-	21.00	533	9.00	229	19.25	489	7.25	184	12	24.00* x 12.00*	610 x 305
CHAW2416P	CHAW2416GP	CHAW2416SP	CHAW2416AP	21.00	533	13.00	330	19.25	489	11.25	286	12	24.00 x 16.00	610 x 406

* Panel also fits these enclosures when height and width dimensions are reversed.



NEMA flat panels can be installed in Type 4X, Type 4 and Type 12 NEMA enclosures. Panels are available in steel, galvanized steel, stainless steel, and aluminum. Painted steel panels have a white powder paint finish. Stainless steel and aluminum panels have a smooth brushed finish on one side and are protected with PVC film.

NEMA Flat Panels

Notes: Dimensions are in inches. Millimeters shown are for reference only. Data subject to change without notice.

Panels & Panel Accessories

JIC Enclosure Perforated Panels

Illustration Sheet and Catalog Number

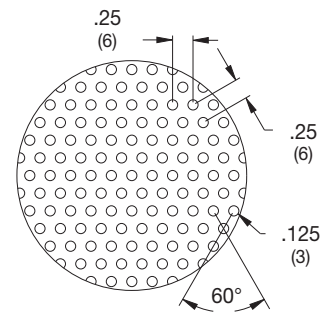
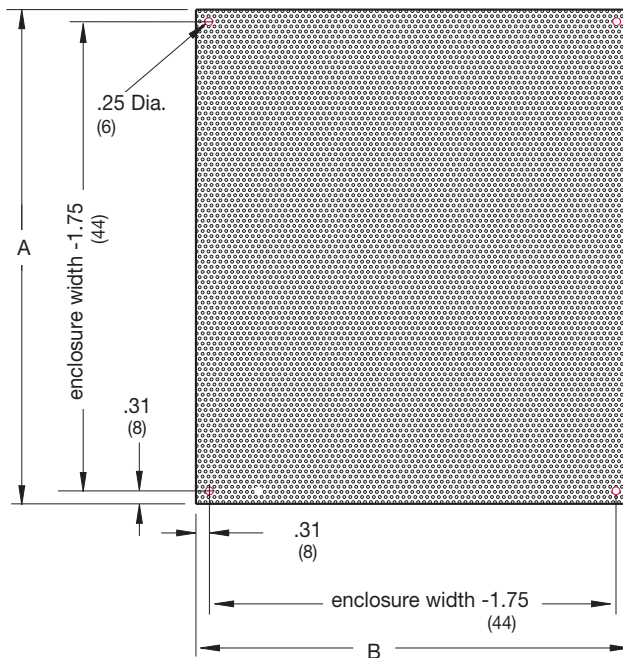
JIC Flat Perforated Panel						Fits Enclosure Height x Width	
Catalog #	A		B		Gauge	in.	mm.
	in.	mm.	in.	mm.			
CHAW64PP	4.87	124	2.87	73	16	6.00 x 4.00	152 x 102
CHAW66PP	4.87	124	4.87	124	16	6.00 x 6.00	152 x 152
CHAW86PP	6.87	174	4.87	124	16	8.00 x 6.00	203 x 152
CHAW88PP	6.87	174	6.87	174	16	8.00 x 8.00	203 x 203
CHAW108PP	8.87	225	6.87	174	16	10.00 x 8.00	254 x 203
CHAW1010PP	8.87	225	8.87	225	16	10.00 x 10.00	254 x 254
CHAW126PP	10.87	276	4.87	124	16	12.00 x 6.00	305 x 152
CHAW1210PP	10.87	276	8.87	225	16	12.00 x 10.00	305 x 254
CHAW1212PP	10.87	276	10.87	276	16	12.00 x 12.00	305 x 305
CHAW148PP	12.87	327	6.87	174	16	14.00 x 8.00	356 x 203
CHAW1412PP	12.87	327	10.87	276	16	14.00 x 12.00	356 x 305
CHAW1610PP	14.87	378	8.87	225	16	16.00 x 10.00	406 x 254
CHAW1614PP	14.87	378	12.87	327	16	16.00 x 14.00	406 x 356



Hardware Packages			
Catalog #	Description	Typical Use	Quantity
CH10168	#8-32 x .375 self-tap steel screw	JIC perforated panels	20

Panels are available in steel and have a white powder paint finish.

JIC Enclosure Perforated Panels



JIC perforated panels can be installed in all types of JIC enclosures, and are intended for mounting lightweight components without drilling and tapping.

Notes: Dimensions are in inches. Millimeters shown are for reference only. Data subject to change without notice.

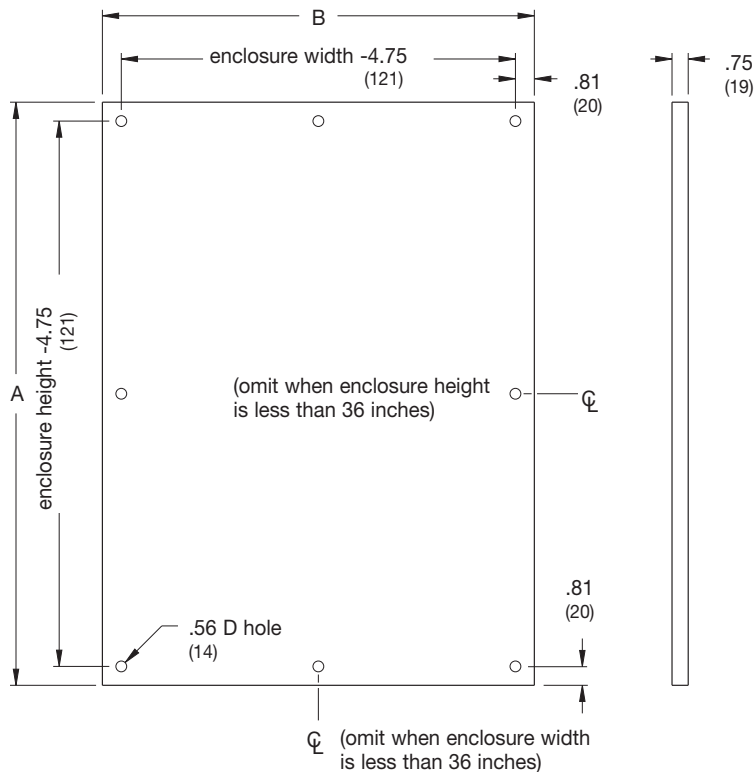
Panels & Panel Accessories

NEMA Flanged Panels

Illustration Sheet and Catalog Number

NEMA Flanged Panel Catalog #				A		B		Gauge	Fits Enclosure Height x Width	
Painted Steel	Galvanized Steel	Stainless	Aluminum	in.	mm.	in.	mm.		in.	mm.
CHAW2420P	CHAW2420GP	CHAW2420SP	CHAW2420AP	20.87	530	16.87	428	12	24.00* x 20.00*	610 x 508
CHAW2424P	CHAW2424GP	CHAW2424SP	CHAW2424AP	20.87	530	20.87	530	12	24.00 x 24.00	610 x 610
CHAW3016P	CHAW3016GP	CHAW3016SP	CHAW3016AP	26.87	682	12.87	327	12	30.00 x 16.00	762 x 406
CHAW3020P	CHAW3020GP	CHAW3020SP	CHAW3020AP	26.87	682	16.87	428	12	30.00 x 20.00	762 x 508
CHAW3024P	CHAW3024GP	CHAW3024SP	CHAW3024AP	26.87	682	20.87	530	12	30.00* x 24.00*	762 x 610
CHAW3030P	CHAW3030GP	CHAW3030SP	CHAW3030AP	26.87	682	26.87	682	12	30.00 x 30.00	762 x 762
CHAW3624P	CHAW3624GP	CHAW3624SP	CHAW3624AP	32.87	835	20.87	530	12	36.00 x 24.00	914 x 610
CHAW3630P	CHAW3630GP	CHAW3630SP	CHAW3630AP	32.87	835	26.97	685	12	36.00* x 30.00*	914 x 762
CHAW3636P	-	CHAW3636SP	-	32.87	835	32.87	835	12	36.00 x 36.00	914 x 914
CHAW4224P	-	-	-	38.87	987	20.87	530	12	42.00* x 24.00*	1067 x 610
CHAW4230P	CHAW4230GP	CHAW4230SP	CHAW4230AP	38.87	987	26.87	682	12	42.00* x 30.00*	1067 x 762
CHAW4236P	CHAW4236GP	CHAW4236SP	CHAW4236AP	38.87	987	32.87	835	12	42.00 x 36.00	1067 x 914
CHAW4242P	-	-	-	38.87	987	38.87	987	12	42.00 x 42.00	1067 x 1067
CHAW4824P	-	-	-	44.87	1140	20.87	530	12	48.00* x 24.00*	1219 x 610
CHAW4830P	CHAW4830GP	CHAW4830SP	-	44.47	1130	26.87	682	12	48.00* x 30.00*	1219 x 762
CHAW4836P	CHAW4836GP	CHAW4836SP	CHAW4836AP	44.87	1140	32.87	835	12	48.00* x 36.00*	1219 x 914
CHAW4842P	CHAW4842GP	CHAW4842SP	CHAW4842AP	44.87	1140	38.87	987	12	48.00* x 42.00*	1219 x 1067
CHAW4848P	-	-	-	44.87	1140	44.87	1140	12	48.00 x 48.00	1219 x 1219
CHAW6030P	-	-	-	56.87	1444	26.87	682	12	60.00* x 30.00*	1524 x 762
CHAW6036P	CHAW6036GP	CHAW6036SP	CHAW6036AP	56.87	1444	32.87	835	12	60.00* x 36.00*	1524 x 914
CHAW6042P	-	-	-	56.87	1444	38.87	987	12	60.00* x 42.00*	1524 x 1067
CHAW7230P	-	-	-	68.87	1749	26.87	682	12	72.00 x 30.00	1829 x 762
CHAW7236P	-	-	-	68.87	1749	32.87	835	12	72.00 x 36.00	1829 x 914

* Panel also fits these enclosures when height and width dimensions are reversed.



NEMA flanged panels can be installed in consoles, Type 4X, Type 4 and Type 12 NEMA enclosures.

Panels are available in steel, galvanized steel, stainless steel and aluminum. Painted steel panels have a white powder paint finish. Stainless steel and aluminum panels have a smooth brushed finish on one side and are protected with PVC film.

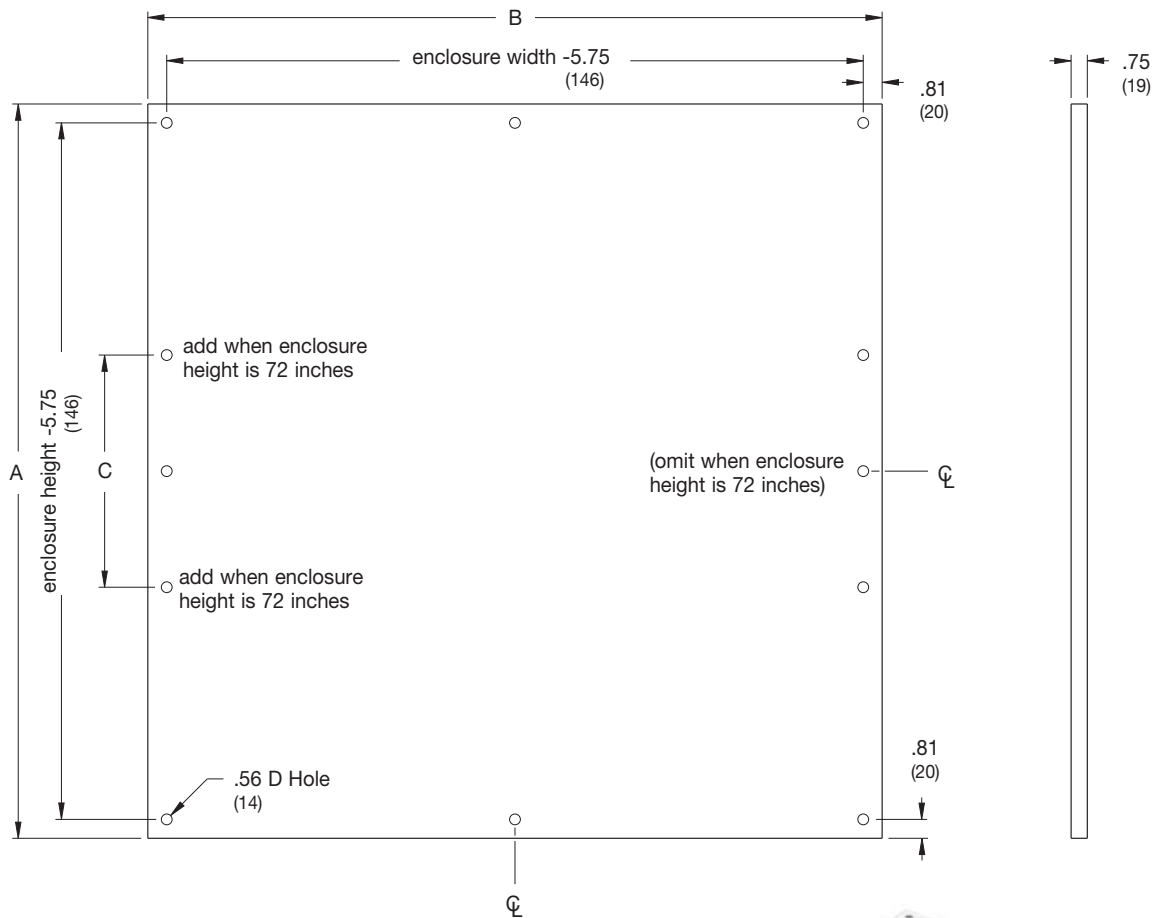
Notes: Dimensions are in inches. Millimeters shown are for reference only. Data subject to change without notice.

Panels & Panel Accessories Large NEMA Flanged Panels

Illustration Sheet and Catalog Number

Panel Catalog #			A		B		C		Gauge	Fits Enclosure* Height x Width	
Steel	Stainless	Aluminum	in.	mm.	in.	mm.	in.	mm.		in.	mm.
CHAW5442P	-	-	49.87	1267	37.87	962	-	-	10	54.00 x 42.00	1372 x 1067
CHAW6048P	CHAW6048SP	CHAW6048AP	55.87	1419	43.87	1114	-	-	10	60.00 x 48.00	1524 x 1219
CHAW6060P	CHAW6060SP	CHAW6060AP	55.87	1419	55.87	1419	-	-	10	60.00 x 60.00	1524 x 1524
CHAW7260P	CHAW7260SP	CHAW7260AP	67.87	1724	55.87	1419	22.06	560	10	72.00 x 60.00	1829 x 1524
CHAW7272P	CHAW7272SP	CHAW7272AP	67.87	1724	67.87	1724	22.06	560	10	72.00 x 72.00	1829 x 1829

* Panel also fits Type 4X and Type 4 where the height is 2.00 inches more than shown in the table.



Large flanged panels can be installed in floor-standing Type 4X, Type 4 and Type 12 enclosures.

Handle kits are furnished with each panel. Steel panels have a white powder paint finish. Stainless steel and aluminum panels have a smooth brushed finish on one side and are protected with PVC film.



Notes: Dimensions are in inches. Millimeters shown are for reference only. Data subject to change without notice.

Accessories

Panels & Panel Accessories

JIC Swing Panels

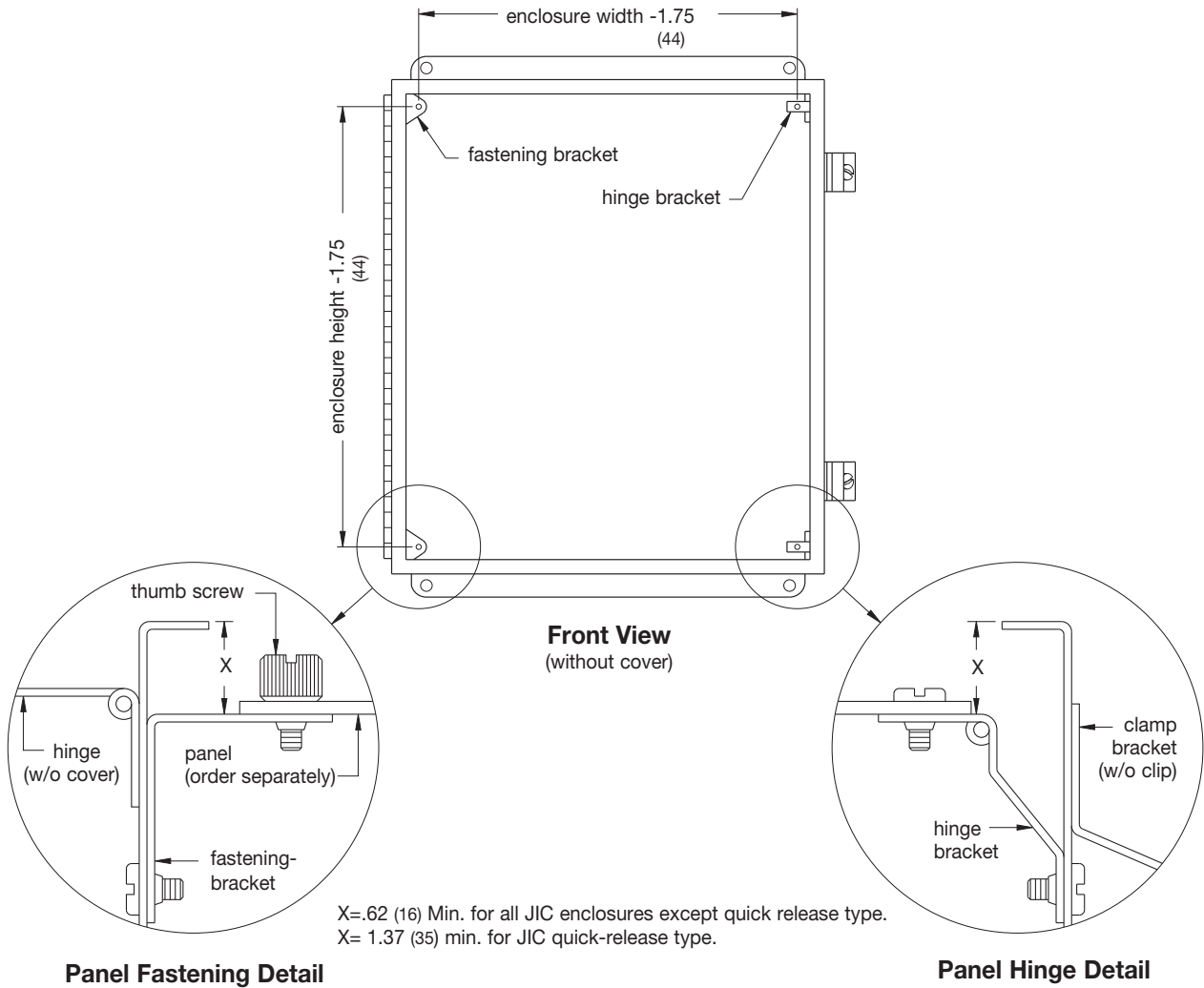
Illustration Sheet and Catalog Number



Catalog #	Description
CHJICSPK	For use with JIC enclosures that are 8.00 (203 mm) x 6.00 (152 mm) inches or larger. The distributed weight of panel and equipment should not exceed 25 pounds.

This kit offers a means for mounting user's components and equipment near the front of an enclosure opening for easy access.

The JIC swing panel kit includes two (2) hinge brackets, two (2) fastening brackets, knurled thumb screws, retaining hardware and instructions for installing standard panels. Panels must be ordered separately.



Notes: Dimensions are in inches. Millimeters shown are for reference only. Data subject to change without notice.

Panels & Panel Accessories

NEMA Swing Panels

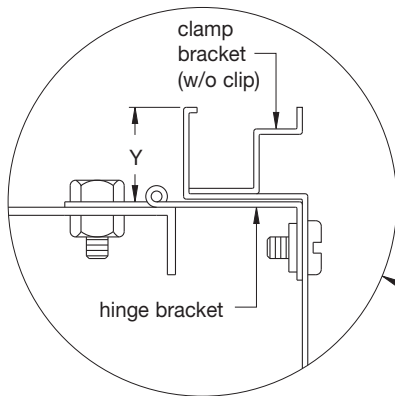
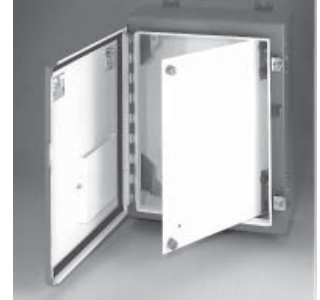
Illustration Sheet and Catalog Number



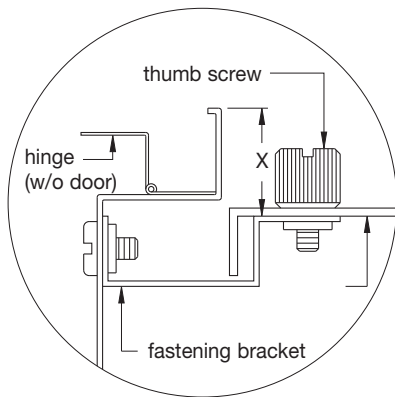
Catalog #	Description
CHNSPK	For use with Type 4, Type 4X and Type 12 single-door enclosures 16.00 (406 mm) x 12.00 (305 mm) and larger, provided the distributed weight of panel and equipment does not exceed 100 pounds. Also used on the larger Type 12 CHSC.

This kit offers a means for mounting user's components and equipment near the front of an enclosure opening for easy access.

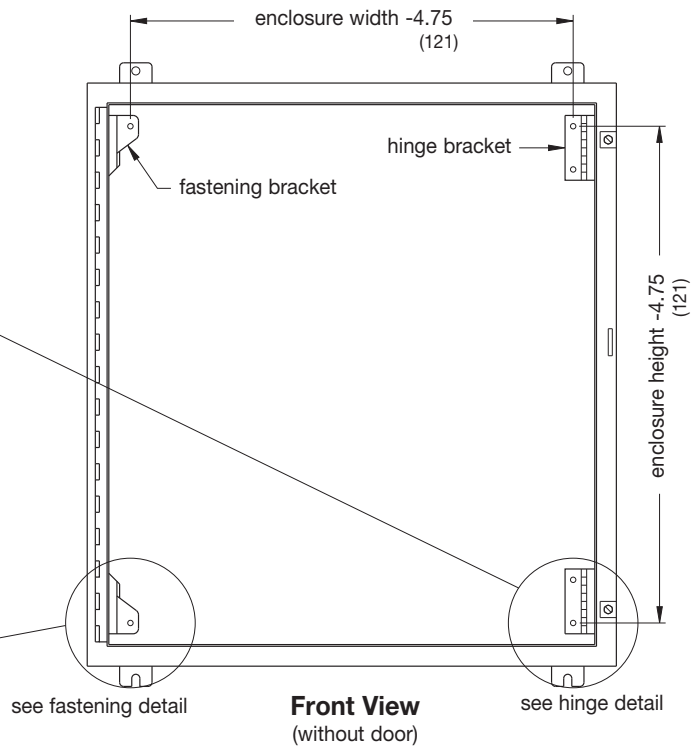
The JIC swing panel kit includes two (2) hinge brackets, two (2) fastening brackets, knurled thumb screws, retaining hardware and instructions for installing standard panels. Panels must be ordered separately.



Panel Hinge Detail



Panel Fastening Detail



Front View
(without door)

- X= 1.37 (35) min. Type 4, Type 4X & Type 12 Single-Door
- Y= 1.25 (32) min. Type 4, Type 4X & Type 12 Single-Door
- X= 1.00 (25) min. Large Type 12 CHSC Enclosures
- Y= .87 (22) min. Large Type 12 CHSC Enclosures

Notes: Large Type 12 CHSC enclosures have back panels installed. Dimensions are in inches. Millimeters shown are for reference only. Data subject to change without notice.

Accessories

Panels & Panel Accessories Panel Support & Lifting Hooks Illustration Sheet and Catalog Number



Panel Support Kits

Catalog #	Description
CHPS3	For use on Single-Door and Double-Door Floor-Standing Enclosure Panel
CHPS9	For use on Free-Standing and Multi-Door Free-Standing Enclosure Panel

Designed to provide additional support to panels which are burdened with heavy equipment. Supports fit over the bottom corner collar studs. Each support bracket can be adjusted so that the load can be shared between the support and the stud. A “jam” nut maintains the adjustment. At the base of the support bracket is a nylon shoe to prevent damage to the interior finish. Two support bracket assemblies are furnished with each kit.



Panel Lifting Hooks

Catalog #	Description
CHPLH	Panel lifting hooks

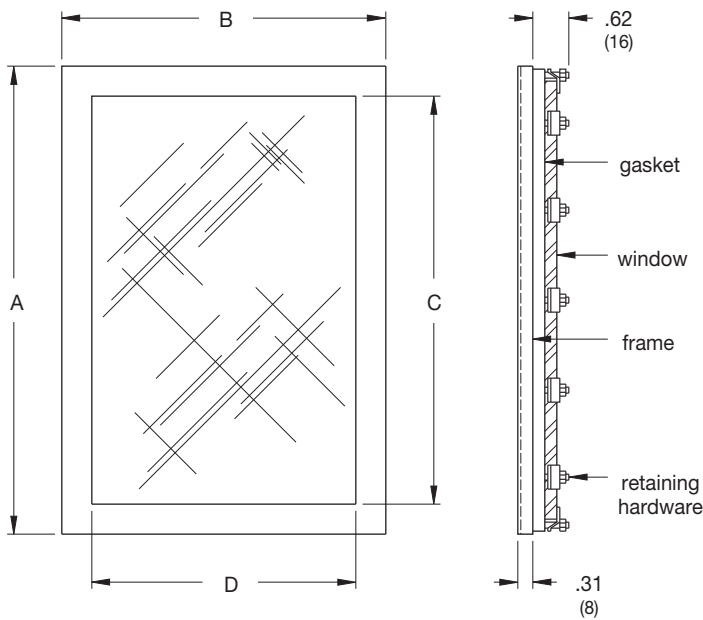
Two (2) panel lifting hooks are used for picking up and moving large panels. The hooks are designed to be used on back panels while laying flat.

Notes: Dimensions are in inches. Millimeters shown are for reference only. Data subject to change without notice.

Window Kits Fixed Window

Illustration Sheet and Catalog Number

Framed Window Kits Catalog #		Frame Detail				Window Detail				Fits Enclosure Cut-out	
Steel	Stainless	A		B		C		D		in.	mm.
		in.	mm.	in.	mm.	in.	mm.	in.	mm.		
CHPWK53	CHPWK53SS	7.50	191	5.50	140	5.00	127	3.00	76	6.62 x 4.62	168 x 117
CHPWK95	CHPWK95SS	11.50	292	8.00	203	9.00	229	5.50	140	10.62 x 7.12	270 x 181
CHPWK133	CHPWK133SS	15.50	394	5.50	140	13.00	330	3.00	76	14.62 x 4.62	371 x 117
CHPWK138	CHPWK138SS	15.50	394	10.50	267	13.00	330	8.00	203	14.62 x 9.62	371 x 244
CHPWK175	CHPWK175SS	19.50	495	8.00	203	17.00	432	5.50	140	18.62 x 7.12	473 x 181
CHPWK1711	CHPWK1711SS	19.50	495	13.50	343	17.00	432	11.00	279	18.62 x 12.62	473 x 321
CHPWK2315	CHPWK2315SS	25.50	648	17.50	445	23.00	584	15.00	381	24.62 x 16.62	625 x 422
CHPWK2919	CHPWK2919SS	31.50	800	21.50	546	29.00	737	19.00	483	30.62 x 20.62	778 x 524
CHPWK3523	CHPWK3523SS	37.50	953	25.50	648	35.00	889	23.00	584	36.62 x 24.62	930 x 625



Steel framed window kits are designed for use with Type 4 and Type 12 enclosures. Stainless steel framed window kits are for use with Type 4X enclosures, however, they can also be used on Type 4 and Type 12, if additional corrosion protection is needed. Steel kits are constructed from heavy gauge and have an ANSI 61 gray polyester powder finish. Stainless steel kits are constructed from Type 304 stainless and have a brushed finish. Each kit includes a .25 inch (6 mm) thick polycarbonate window and gasket to ensure a tight, oil- and water-resistant seal around the enclosure cut-out. Hardware and instructions for field installation are also furnished. UL Listed.



Notes: Dimensions are in inches. Millimeters shown are for reference only. Data subject to change without notice.

Accessories

Window & Door Kit Accessories Illustration Sheet and Catalog Number

Door Stop Kits

Catalog #	Description
CHDSTOPK	Door Stop Kit

Door stop kits are intended for most Type 4, Type 4X and Type 12 Single-Door Wall-Mount enclosures that have a minimum width of 16 inches. The kit is designed to mount at the top or bottom of the door opening. When properly installed, the door can be held open approximately 135°. Tools are not necessary to affix or release the stop. When not in use, the assembly folds and locks neatly away. Each kit contains detailed mounting instructions and all the necessary hardware for field assembly.



Print Pockets

Catalog #	Length x Width	
	in.	mm.
CH32170	6.00 x 6.00	152 x 152
CH32171	10.00 x 10.00	254 x 254
CH32172	9.00 x 12.00	229 x 305

Print pockets provide a convenient place to store operation manuals, diagrams or other documents inside the enclosure. Thermoplastic pockets are gray and have cutaway areas for viewing contents. Pockets have adhesive backing for mounting inside on enclosure door.

Notes: Dimensions are in inches. Millimeters shown are for reference only. Data subject to change without notice.

Locks, Latches, Inserts & Handles

Flush Locks

Illustration Sheet and Catalog Number

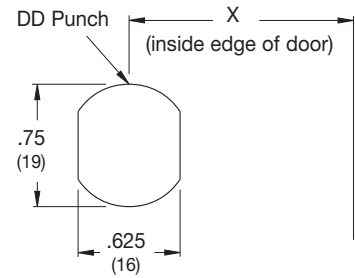
Type 4 & Type 12 JIC Enclosure Flush Lock

Catalog #	Description
CH25352 A	JIC Type 4 & 12 flush lock



Flush locks are intended for 1-point field modifications to most Type 4 and 12 JIC enclosures as well as the large Type 12 CHSC enclosures.

Included is detail instructions for the door hole size and location (see detail at right). The lock is steel with a bright plated finish.



Hole Pattern Detail

X = 1.18 (30) JIC Enclosure
 X = 1.68 (43) Large Type 12 CHSC Enclosure

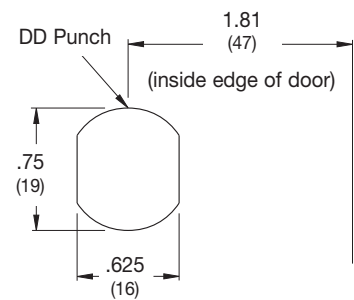
Type 4 & Type 12 NEMA Enclosure Flush Lock

Catalog #	Description
CH25351 A	NEMA Type 4 & 12 flush lock



Flush lock is intended for 1-point field modification to most Type 4 and Type 12 Single-Door Wall-Mount enclosures.

Included is detail instructions for the door hole size and location (see detail at right). The lock is steel with a bright plated finish.



Hole Pattern Detail

Notes: Dimensions are in inches. Millimeters shown are for reference only. Data subject to change without notice.

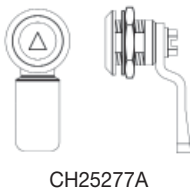
Accessories

Locks, Latches, Inserts & Handles Inserts, Locks & Latches Illustration Sheet and Catalog Number

Type 4 Premier Enclosure Security Inserts

Catalog #	Description
CH7MTLK	7mm triangular latch insert
CH7MSLK	7mm square latch insert
CH3MDBLK	3mm double bit latch insert

Security latch inserts interchange with slotted quarter-turn flush latch and provide security and control access to interior of enclosure. Inserts include matching key.



Type 4 & Type 12 Security Latch Kits

Catalog #	Description
CH25270 A	Slotted flush latch
CH25278 A	Triangle flush latch key
CH25277 A	Triangle flush latch
CH25289 A	Square flush latch key
CH25288 A	Square flush latch

A = Chrome Plate

Intended to be used on Type 4 and Type 12/13 enclosures which utilize external screw clamps. Latches require a hole punched or drilled in the door for installation. Once installed, an internal O-ring and external gasket maintain a dust-tight and water-tight seal. The tamper-resistant latches require specific keys to gain access.

Locks, Latches, Inserts & Handles

Inserts, Locks & Latches

Illustration Sheet and Catalog Number

Type 4 Quarter-Turn Enclosure Locks & Latches



CHT4DLBM &
CHT4LDLB

Catalog #	Description
CHT4DLBM	Type 4 – small slotted latch, black finish
CHT4LDLB	Type 4 – large slotted latch, black finish



CHT4WNBM &
CHT4WNB

Catalog #	Description
CHT4WNBM	Type 4 – small wing knob, black finish
CHT4WNB	Type 4 – large wing knob, black finish



CHT4KLWNBM

Catalog #	Description
CHT4KLWNBM	Type 4 – small key locking wing knob, black finish



CHT4KLWNB

Catalog #	Description
CHT4KLWNB	Type 4 – large key locking wing knob, black finish



CHT4PLWNB

Catalog #	Description
CHT4PLWNB	Type 4 - large padlockable wing knob, black finish

Accessories

Locks, Latches, Inserts & Handles

Locks, Latches & Inserts

Illustration Sheet and Catalog Number

Type 4 Quarter-Turn Enclosure Inserts, Locks & Latches



CHT4THB

Catalog #	Description
CHT4THB	Type 4 - large t-handle non-locking, black finish



CHT4KLTHB

Catalog #	Description
CHT4KLTHB	Type 4 - large t-handle key locking, black finish



CH7MT4TLKB &
CH6.5MT4TLKBM

Catalog #	Description
CH7MT4TLKB	Type 4 – large security insert (7mm triangle), black finish
CH6.5MT4TLKBM	Type 4 – small security insert (6.5mm triangle), black finish



CH7MT4SLKB &
CH6MT4SLKBM

Catalog #	Description
CH7MT4SLKB	Type 4 – large security insert (7mm square), black finish
CH6MT4SLKBM	Type 4 – small security insert (6mm Square), black finish



CH3MT4DBLKB

Catalog #	Description
CH3MT4DBLKB	Type 4 – large security insert 3mm double bit, black finish



CH4MT4HXLKBM

Catalog #	Description
CH4MT4HXLKBM	Type 4 – small security insert (4mm socket hex), black finish

Type 4X Quarter-Turn Enclosure Latch



CH4MT4HXLKBM

Catalog #	Description
CHT4XDLSSM	Type 4X – small slotted latch, stainless steel
CHT4XDLSS	Type 4X – large slotted latch, stainless steel

Notes: Dimensions are in inches. Millimeters shown are for reference only. Data subject to change without notice.

Accessories

Locks, Latches, Inserts & Handles Type 4 Premier™ Series Enclosure Handle Inserts Illustration Sheet and Catalog Number

Wall-Mount Handles

Padlocking, key locking or non-locking handles are interchangeable with standard slotted quarter-turn flush latch on Premier Series enclosures. Available keyed alike or keyed different; please specify when ordering.



CHWMHNL non-locking



CHWMHK-01 thru CHWMHK-04 key lockable



CHWMHPTO padlockable

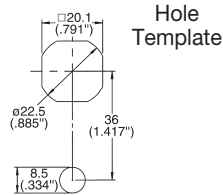
Catalog #	Description
CHWMHNL	Wall-mount handle, non-locking
CHWMHK-01	Wall-mount handle, key locking – keyed 01
CHWMHK-02	Wall-mount handle, key locking – keyed 02
CHWMHK-03	Wall-mount handle, key locking – keyed 03
CHWMHK-04	Wall-mount handle, key locking – keyed 04
CHWMHPTO	Wall-mount handle, padlockable



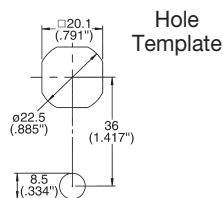
Accessories

Locks, Latches, Inserts & Handles Handles

Illustration Sheet and Catalog Number



Kit includes these parts shown above



Type 4 & 12 Handle

Catalog #	Description	Defeater
CH00011184 A	Type 4 & 12 handle	Turn Tool

The Type 4 door handles can be used as replacement locks for Type 12 double-door wall mounts, disconnect enclosures, and the EnviroShield™ enclosures. Handles are a zinc die cast construction with a textured powder coat finish to provide durability and corrosion resistance.

An optional built-in spring loaded defeater provides a two-handed operation requirement and a standard padlockable handle trigger provides secondary security. A removable lock plug allows for clockwise or counterclockwise operation. Handles are supplied with nut, screw and gasketing materials.

Type 4 & 12 Handle Kits

Catalog #	Description	Defeater
CH00011184 A**	Type 4 & 12 handle kit	Turn tool

** Specify enclosure height after the catalog number, (20, 24, 30, 36, 42, 48, 60, 72). (Example: 00011184 A60 for 60 inch height).

Type 12 door handle kits are intended for 3-point field modifications to most Type 12 and Type 4 enclosures with a height from 20 inches (508 mm) to 72 inches (1829 mm).

Kits include a handle, cam, rods, spacer, rollers, adjustable rod guides and all hardware necessary for assembly. The adjustable rod guides have multiple settings for desired gasket compression.

Detailed instructions are also furnished which include a door hole pattern for field mounting the handle assembly (see detail on this page).

Type 4 & 12 Door Handle, Key Locking

Catalog #	Description
CHT4PKHB	Type 4 & 12 handle, key locking

The Type 4 door handles can be used as replacement locks for Type 12 free- and floor-standing enclosures, and Type 4 handle enclosures.

Handles are a zinc die cast construction with a textured powder coat finish to provide durability and corrosion resistance. A key lock and padlockable handle trigger provides secondary security. A removable lock plug allows for clockwise or counterclockwise operation.

Handles are supplied with nut, screw, a key, and gasketing materials.

Notes: Dimensions are in inches. Millimeters shown are for reference only. Data subject to change without notice.

Locks, Latches, Inserts & Handles Handles

Illustration Sheet and Catalog Number



Kit includes these parts shown above

Type 4 & 12 Door Handle, Key Locking

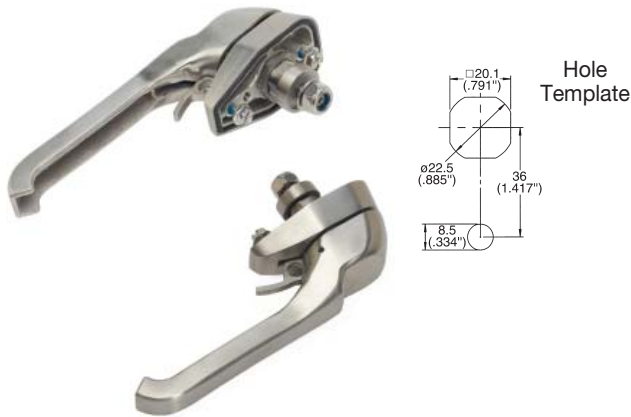
Catalog #	Description
CHT4PKHB**	Type 4 & 12 handle, key locking, kit

** Specify enclosure height after the catalog number, (20, 24, 30, 36, 42, 48, 60, 72). (Example: 00011184 A60 for 60 inch height).

Type 4 door handle kits are intended for 3-point field modifications to most Type 12 and Type 4 enclosures with a height from 20 inches (508 mm) to 72 inches (1829 mm).

Kits include a handle, cam, rods, spacer, rollers, adjustable rod guides and all hardware necessary for assembly. The adjustable rod guides have multiple settings for desired gasket compression.

Detailed instructions are also furnished which include a door hole pattern for field mounting the handle assembly.



Type 4X Door Handle

Catalog #	Description
CHT4XPSS	Type 4X handle

The Type 4X door handles can be used as replacement locks for Type 4X wall-mounts and Type 4X free and floor-standing enclosures.

Handles are a die cast stainless steel construction to provide durability and corrosion resistance. A standard padlockable handle trigger provides secondary security. A removable lock plug allows for clockwise (CW) or counterclockwise (CCW) operation.

Handles are supplied with nut, screw and gasketing materials.

Type 4X Door Handle Kits

Catalog #	Description
CHT4XPSS**	Type 4X handle, kit

** Specify enclosure height after the catalog number, (20, 24, 30, 36, 42, 48, 60, 72). (Example: CHT4XPSS A60 for 60 inch height).

Type 4X door handle kits are intended for 3-point field modifications to most Type 4X enclosures with a height from 20 inches (508 mm) to 72 inches (1829 mm).

Kits include a handle, cam, rods, spacer, rollers, adjustable rod guides and all hardware necessary for assembly. The adjustable rod guides have multiple settings for desired gasket compression.

Detailed instructions are also furnished which include a door hole pattern for field mounting the handle assembly (see detail on this page).



Kit includes these parts shown above

Notes: Dimensions are in inches. Millimeters shown are for reference only. Data subject to change without notice.

Accessories

Clamp & Padlock Kits

Clamps

Illustration Sheet and Catalog Number



JIC 4 & 4X Cover Clamp Kit

Catalog #	Description	Quantity
CHJ4XCK2	Type 4 & 4X cover clamp kit	1 kit

This kit is intended as replacement clamp parts on all JIC Type 4X and JIC Type 4 Wall-Mount and Floor-Standing Enclosures.

Each kit contains two each - stainless steel cover clamps, stainless steel screws and 1/4" hardware.



JIC Fast-Access Clamp Kit

Catalog #	Description	Quantity
CHL23	Fast-clamp, steel	1
CHL23SS	Fast-clamp, stainless	1

This kit is intended to be used in place of standard JIC cover clamps to provide quick access into an enclosure. Clamps will fit JIC Type 4X, 4 and 12 hinge and clamp cover enclosures. They will also replace the clamps used on NEMA 12 and 4X feed-through wireway and NEMA 12 and 4X wiring trough.

These clamps will **not** fit the JIC screw or quick-release cover designs.

Each kit includes washers for fitting between the enclosure bracket and the fast-access clamp to control gasket compression. Kits are available in plated steel (Type 12 enclosures) and stainless steel (Type 4X & 4 enclosures). UL Listed.

Notes: Dimensions are in inches. Millimeters shown are for reference only. Data subject to change without notice.

Clamp & Padlock Kits

Clamps

Illustration Sheet and Catalog Number



Type 4 & 4X Door Clamp Kit

Catalog #	Description	Quantity
CHN4XCK2	Type 4 & 4X door clamp kit	1 kit

This kit is intended as replacement clamp parts on Type 4X and Type 4 Wall-Mount and Floor-Standing Enclosures.

Each kit contains two each - door clamps, screws, springs, washers and 1/4" hardware. All clamp parts and hardware are stainless steel.



NEMA Type 12, 4 & 4X Fast-Access Clamp Kit

Catalog #	Description	Quantity
CHFC412SS	Type 12, 4 & 4X fast-clamp kit, stainless	1 Kit

This kit is intended to be used in place of standard NEMA door clamps to provide quick access into an enclosure.

Clamps will fit Type 4X, 4 and 12 Single-Door Wall-Mount Enclosures. They will also replace the clamps used on Type 4X and Type 4 Floor-Standing Enclosures.

Each kit contains two each - door clamps, fast access screw fasteners, springs and washers. Gasket compression is controlled by turning the handle in or out of the bracket. UL Listed.

Accessories

Clamp & Padlock Kits

Padlock Kit

Illustration Sheet and Catalog Number



JIC Padlock Kit

Catalog #	Description
CHPLKJIC	Padlock kit
CHPLKJICSS6	Padlock kit, Type 316 stainless steel

The JIC padlock kit is designed to field install on all JIC type and larger Type 12 CHSC enclosures. Mounting hardware and instructions are provided.



Notes: Dimensions are in inches. Millimeters shown are for reference only. Data subject to change without notice.

Accessories

Bolt-on Accessories

Illustration Sheet and Catalog Number



Folding Shelf Kit

Catalog #	Description
CHFSHELF12	12" x 12" flat mounting surface
CHFSHELF18	18" x 18" flat mounting surface

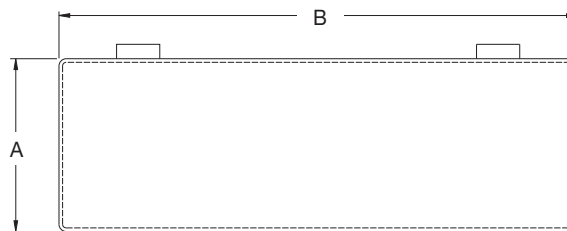
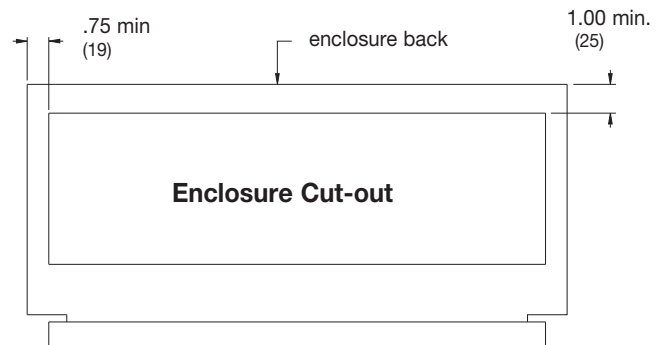
The folding shelf is intended to mount inside or outside of enclosure to support components, sensitive instruments and other equipment which may be integral to the enclosure.

When properly installed, the shelf will fold open into a locked position perpendicular to the mounting surface. When not in use, the shelf folds down into a locked position.

The folding shelf is constructed from heavy gauge steel and has a white polyester powder paint finish.

Gland Plates

Catalog #	Gland Plate Detail				Enclosure Cut-out	
	D		E		in.	mm.
Type 304	in.	mm.	in.	mm.	in.	mm.
GP610	6.00	152	10.00	254	5.00 x 9.00	127 x 229
GP618	6.00	152	18.00	457	5.00 x 17.00	127 x 432



Intended for use with Type 12 enclosures and is an excellent means of providing a removable access plate to an enclosure and still maintain its listing.

The gland plate is constructed from (16) gauge steel and has ANSI 61 gray polyester powder finish. Fastening is done from the inside of the enclosure to prevent tampering.

Hardware and instructions are included with the kit. UL Listed.

Notes: Dimensions are in inches. Millimeters shown are for reference only. Data subject to change without notice.

Accessories

Bolt-On Accessories Floor Stand Kit & Enclosure Stabilizer Illustration Sheet and Catalog Number

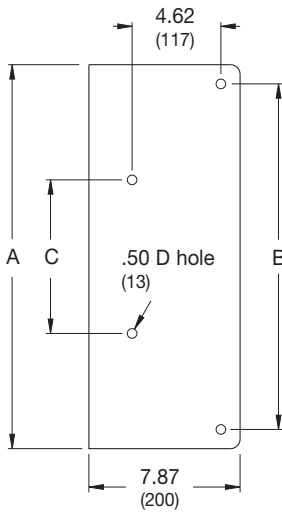


Floor Stand Kit

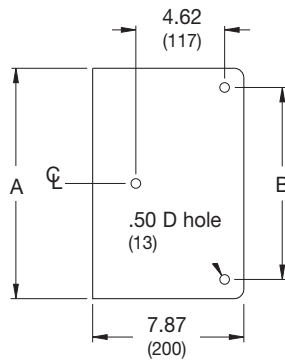
Catalog #		D		E		F	
Type 304	Type 316L	in.	mm	in.	mm	in.	mm
CHMFK8	CHMFK8XS	8.00	203	6.06	154	-	-
CHMFK10	CHMFK10XS	10.00	254	8.06	205	-	-
CHMFK12	CHMFK12XS	12.00	305	10.06	256	-	-
CHMFK16	CHMFK16XS	16.00	406	14.06	357	-	-
CHMFK20	CHMFK20XS	20.00	508	18.06	459	8.00	203
CHMFK24	CHMFK24XS	24.00	610	22.06	560	10.00	254

Floor stand kits are intended for use with Type 4X, Type 4 and Type 12 Wall-Mount Enclosures where floor support is required. They are easily installed on most enclosures where the width is 20 inches (508 mm) or more. The enclosure mounting feet need not be removed in order to install floor stand kits.

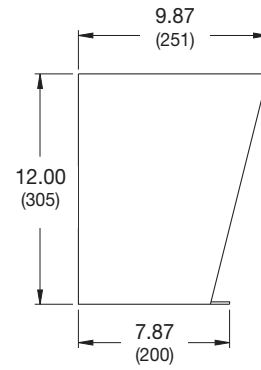
Each kit consists of two (10) gauge legs and hardware for mounting. At the base of each leg is a pre-punched plate (see drawing). Steel kits have a gray polyester powder paint finish. Stainless steel kits are fabricated from 304 alloy. Standard floor stand kits are 12 inches (305 mm) high. For special heights or non-standard construction, consult factory.



Base 20 - 24 Deep



Base 8 - 16 Deep



Floor Stand Kit



Enclosure Stabilizer

Catalog #	Quantity
CHES2	2

Enclosure stabilizers are heavy gauge with a wide base for use with NEMA floor stand kits which add stability to large enclosures or top heavy enclosures. Two thumb screws thread into the offset piece and secure the stabilizer to the base of the leg. Two stabilizers are furnished. They are finished with a bright caution orange enamel paint.

Notes: Dimensions are in inches. Millimeters shown are for reference only. Data subject to change without notice.

Bolt-on Accessories Louver Plate Kits

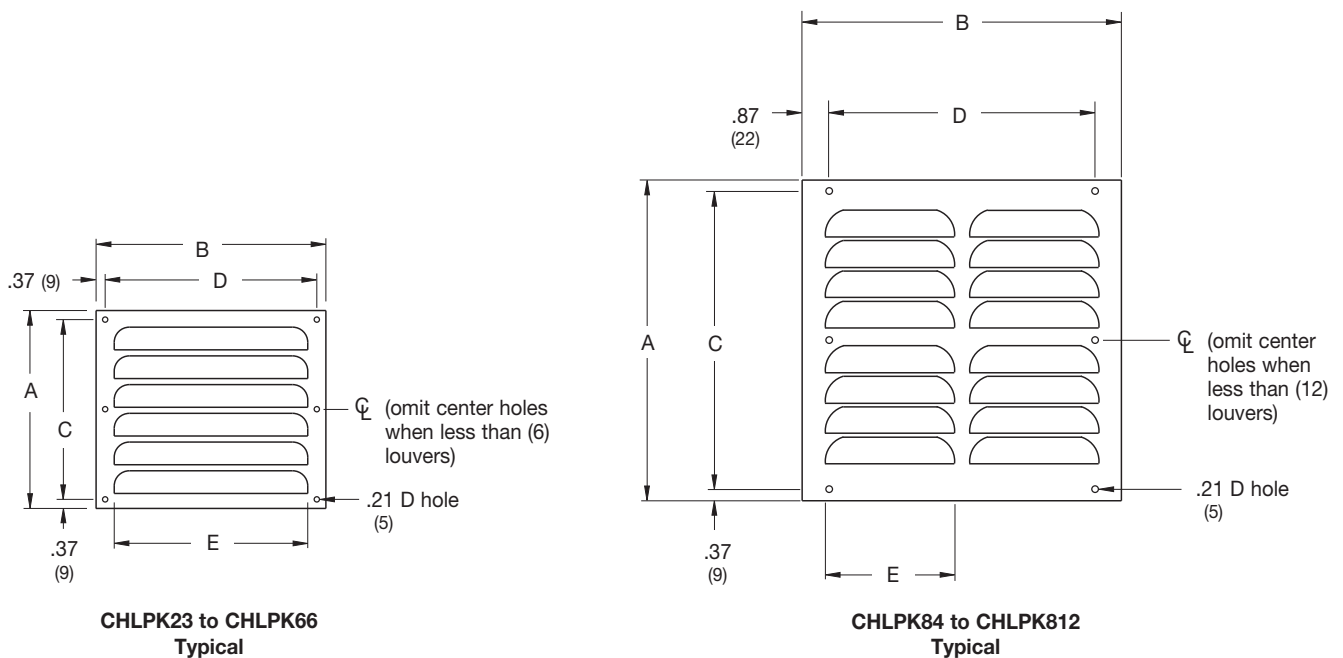
Illustration Sheet and Catalog Number



Excellent for providing ventilation in enclosures where external conditions or internal components may cause excessive amount of heat or moisture. Designed to be used with Crouse-Hinds filter kits using the same cut-out and mounting hole configurations.

Louver plate kits include all of the necessary hardware and instructions for field installation. Plates are constructed from (16) gauge steel and have an ANSI 61 gray polyester powder finish.

Louver Plate Kit Catalog #	Louver Plate Size				C		D		Louver Plate Detail					Enclosure Cut-out				Area Opening sq. in.
	A		B						E	Depth		Quantity	Height		Width			
	in.	mm.	in.	mm.	in.	mm.	in.	mm.	in.	mm.	in.		mm.	in.	mm.	in.	mm.	sq. in.
CHLPK23	3.25	83	3.25	83	2.50	64	2.50	64	2.00	51	.25	6	3	2.12	54	2.12	54	1.10
CHLPK33	3.87	98	4.50	114	3.12	79	3.75	95	3.00	76	.25	6	3	2.50	64	3.12	79	1.68
CHLPK34	4.75	121	4.50	114	4.00	102	3.75	95	3.00	76	.25	6	4	3.37	86	3.12	79	2.20
CHLPK43	4.50	114	5.50	140	3.75	95	4.75	121	4.25	121	.25	6	3	3.00	76	4.12	105	2.30
CHLPK44	5.62	143	5.50	140	4.87	124	4.75	121	4.25	121	.25	6	4	4.00	102	4.12	105	3.10
CHLPK64	5.62	143	7.50	191	4.87	124	6.75	171	5.50	140	.25	6	4	4.25	121	6.12	155	4.10
CHLPK66	7.87	200	7.50	191	7.12	181	6.75	171	5.50	140	.25	6	6	6.50	165	6.12	155	6.10
CHLPK84	5.81	148	10.50	267	5.06	129	8.75	222	4.25	108	.25	6	8	4.25	121	8.12	206	6.30
CHLPK86	8.19	208	10.50	267	7.44	189	8.75	222	4.25	108	.25	6	12	6.50	165	8.12	206	9.50
CHLPK88	10.56	268	10.50	267	9.81	249	8.75	222	4.25	108	.25	6	16	8.75	222	8.12	206	12.70
CHLPK812	15.31	389	10.50	267	14.56	370	8.75	222	4.25	108	.25	6	24	13.25	337	8.12	206	19.00



Notes: Dimensions are in inches. Millimeters shown are for reference only. Data subject to change without notice.

Accessories

Bolt-on Accessories Filters & Filter Adhesive

Illustration Sheet and Catalog Number



Designed for use with louver plate kits. The filter mounts securely inside of the enclosure using the brackets and hardware furnished with the kit. The filter is comprised of finely woven aluminum strips which offer protection against airborne dust and dirt. Periodic washing with warm water is needed to keep the Filter clean. For best results, coating with air filter adhesive is recommended.

Filters

Filter Catalog #	Used with Louver Plate Catalog #
CHFLT33	CHLPK33
CHFLT34	CHLPK34
CHFLT43	CHLPK43
CHFLT44	CHLPK44
CHFLT64	CHLPK64
CHFLT66	CHLPK66
CHFLT84	CHLPK84
CHFLT86	CHLPK86
CHFLT88	CHLPK88
CHFLT812	CHLPK812



Filter Adhesive

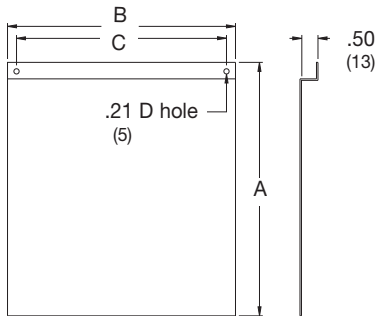
Catalog #	Quantity
CHFAS-412	14 oz. aerosol spray

Use the filter adhesive to help increase efficiency of air filters. The adhesive spray helps trap small particles that normally pass through the filter and helps protect the elements within.

Notes: Dimensions are in inches. Millimeters shown are for reference only. Data subject to change without notice.

Accessories

Bolt-on Accessories Baffle Plates & Hole Seals Illustration Sheet and Catalog Number

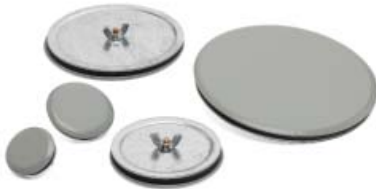


Baffle Plates

Baffle Plate Catalog #	A		B		C		Used with Louver Plate Catalog #
	in.	mm.	in.	mm.	in.	mm.	
CHBP23	3.25	83	3.25	83	2.50	64	CHLPK23
CHBP33	3.87	98	4.50	114	3.75	95	CHLPK33
CHBP34	4.75	121	4.50	114	3.75	95	CHLPK34
CHBP43	4.50	114	5.50	140	4.75	121	CHLPK43
CHBP44	5.62	143	5.50	140	4.75	121	CHLPK44
CHBP64	5.12	130	7.50	191	6.75	171	CHLPK64
CHBP66	7.37	187	7.50	191	6.75	171	CHLPK66
CHBP84	5.31	135	9.50	241	8.75	222	CHLPK84
CHBP86	7.68	195	9.50	241	8.75	222	CHLPK86
CHBP88	10.06	256	9.50	241	8.75	222	CHLPK88
CHBP812	14.81	376	9.50	241	8.75	222	CHLPK812

Baffle plates are intended to be used with louver plates when it is necessary to prevent direct access into the enclosure through the louver opening. The plate is designed to mount to the inside of the enclosure using the same cut-out and mounting holes required to mount the louver plate kit.

Plates are (16) gauge steel and have an ANSI 61 gray polyester powder finish. UL Listed.



Painted Steel - UL Listed as Type 3R, 12, 13, & 4



Stainless Steel - UL Listed as Type 4X

Oil-Tight Hole Seals

Catalog #		Application	Max. Hole Diameter		Hole Seal Diameter	
Steel	Stainless		in.	mm.	in.	mm.
CHSPBG	CHSPBGSS	Miniature oil-tight pushbutton holes	0.88	22	1.22	31
CHSPB	CHSPBSS	Standard oil-tight pushbutton holes	1.25	32	1.75	44
CHS050	CHS050SS	1/2-inch conduit holes	0.88	22	1.38	35
CHS075	CHS075SS	3/4-inch conduit holes	1.06	27	1.56	40
CHS100	CHS100SS	1-inch conduit holes	1.38	35	1.88	48
CHS125	CHS125SS	1 1/4-inch conduit holes	1.69	43	2.19	56
CHS150	CHS150SS	1 1/2-inch conduit holes	2.00	51	2.50	64
CHS200	CHS200SS	2-inch conduit holes	2.50	64	3.00	76
CHS250	CHS250SS	2 1/2-inch conduit holes	3.00	76	3.50	89
CHS300	CHS300SS	3-inch conduit holes	3.62	92	4.12	105
CHS350	CHS350SS	3 1/2-inch conduit hole	4.12	105	4.62	117
CHS400	CHS400SS	4-inch conduit holes	4.62	117	5.12	130

Protects knockout openings and extra pushbutton or conduit openings from dirt, oil, dust and water. Each hole seal has oil-resistant gasketing and plated stud and wing nut. Available in steel finished with ANSI 61 polyester powder or unpainted stainless steel.

Notes: Dimensions are in inches. Millimeters shown are for reference only. Data subject to change without notice.

Accessories

Bolt-on Accessories

Drip Shields

Illustration Sheet and Catalog Number



NEMA 4X Drip Shield Kits

Catalog #	Fits Enclosure
CHDK12SS	12.00 inch wide
CHDK16SS	16.00 inch wide
CHDK20SS	20.00 inch wide
CHDK24SS	24.00 inch wide
CHDK30SS	30.00 inch wide
CHDK36SS	36.00 inch wide

The NEMA 4X drip shield kit is intended for use with Type 4X and Type 4 Single-Door Wall-Mount Enclosures. It offers protection to the door and hardware from dripping water and falling dust. The drip shield is constructed from (14) gauge steel and has a fine brushed finish. The shield attaches to the enclosure top front. The kit includes a drip shield, stainless steel hardware and sealing compound. UL Listed.

Notes: Dimensions are in inches. Millimeters shown are for reference only. Data subject to change without notice.

Bolt-on Accessories Component Mounting Device Illustration Sheet and Catalog Number



Component Mounting Device

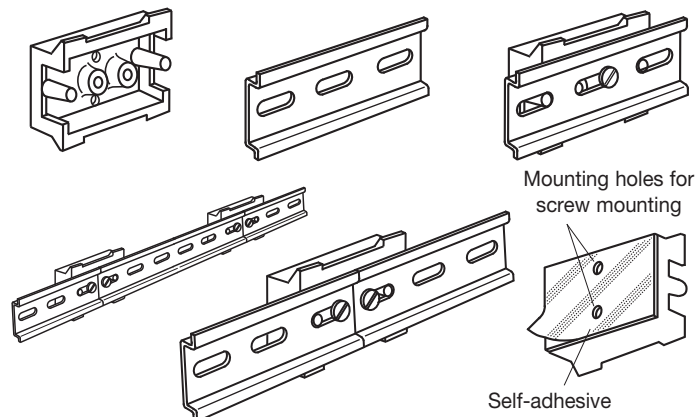
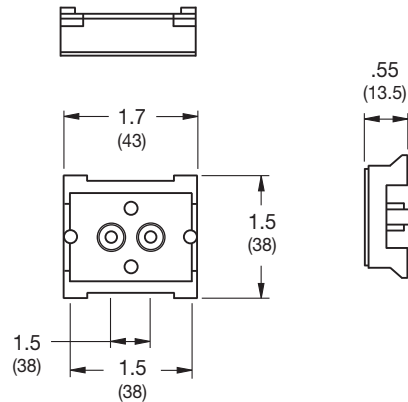
Catalog #	Description
CHECMD1	Small mounting aid

The component mounting device is a small mounting aid especially designed to make mounting of small 35 mm DIN rail mountable components easier. It can be used whenever the installation of a 35 mm DIN rail is impractical, or when there is not enough space left in an enclosure. Because of its industrial grade self-adhesive, it can be installed much easier and quicker than a conventional DIN rail, without hole drilling and screw mounting.

Crouse-Hinds' component mounting device can hold components up to 1.1 lbs in weight. The initial adhesive power is 40%. After 24 hours, it has its full holding power of 1.1 lbs. CHECMD1 can also be screw mounted if a more secure mounting is desired or if the surface is rough. All that is necessary to install Crouse-Hinds' CHECMD1 is a smooth and clean surface. Sold in packages of five (5).

Technical Data

Application	Direct attachment of small components and 35 mm DIN rails, EN 50022
Capacity	0.44 lb. (200 g) initially 1.1 lb (500 g) after 24 hour waiting period
Mounting Surface	All smooth surfaces, (e.g. metals, laquered surfaces, plastics other than polyethylene, polypropylene and rubber). Mounting surface must be dry and free from dust, oil, separating agents and other contamination.
Dimensions	1.7 x 1.5 x 0.55" (43 x 38 x 14 mm)
Hole Pattern	0.5" distance, Δ 0.14" (12.8 mm; Δ 3.6 mm)
Material	Polyamide (rated UL 94V-0) with non-deteriorating high-performance adhesive
Temperature Range	-22° to +131°F (-30° to +55°C)
Included	Mounting screw for perforated 35 mm DIN rail, EN 50022



Notes: Dimensions are in inches. Millimeters shown are for reference only. Data subject to change without notice.

Accessories

Electrical Accessories JIC Terminal Strap Kit

Illustration Sheet and Catalog Number

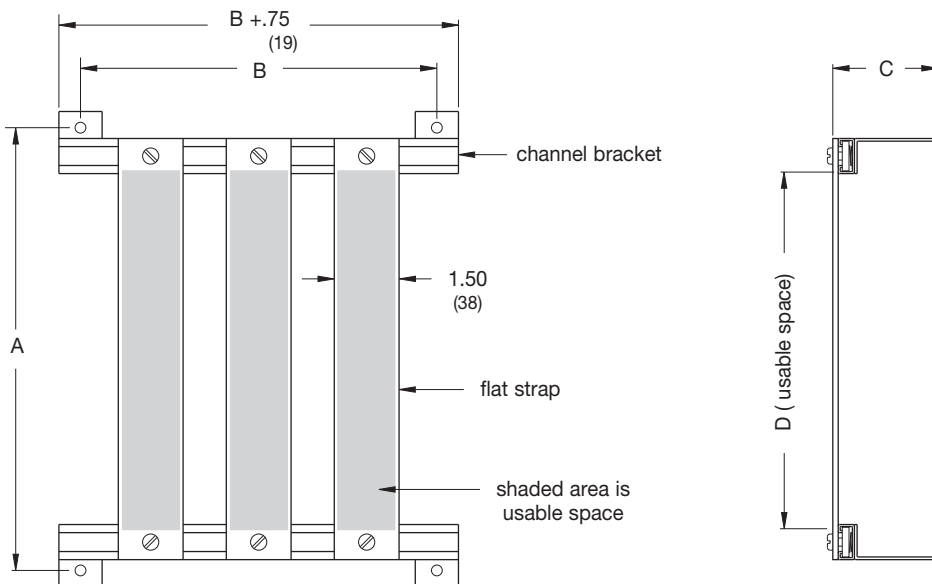


JIC terminal strap kits fit all styles and types of JIC enclosures. The kits are furnished with flat straps for mounting flat based terminal blocks. There is adequate space on each terminal strap should the user wish to provide another style of block. Terminal straps are made from (10) gauge steel with an electrogalvanized finish. They are fastened to channel clamping nuts which allows them to adjust along the width of the channel bracket assembly.

Extra strap kits can be ordered separately and come furnished with all hardware necessary for channel mounting.



Terminal Strap Kit Catalog #	A		B		C		D		Quantity of Straps	Fits Enclosure Height x Width		Extra Strap Kit Catalog #
	in.	mm.	in.	mm.	in.	mm.	in.	mm.		in.	mm.	
CH86TS	6.25	159	4.25	108	1.12	28	4.50	114	2	8.00 x 6.00	203 x 152	CH8TS
CH108TS	8.25	210	6.25	159	1.12	28	6.50	165	2	10.00 x 8.00	254 x 203	CH10TS
CH1210TS	10.25	260	8.25	210	2.43	62	8.50	216	3	12.00 x 10.00	305 x 254	CH12TS
CH1212TS	10.25	260	10.25	260	2.43	62	10.50	267	3	12.00 x 12.00	305 x 305	CH12TS
CH1412TS	12.25	311	10.25	260	2.43	62	10.50	267	3	14.00 x 12.00	356 x 305	CH14TS
CH1614TS	14.25	362	12.25	311	2.43	62	12.50	318	4	16.00 x 14.00	406 x 356	CH16TS

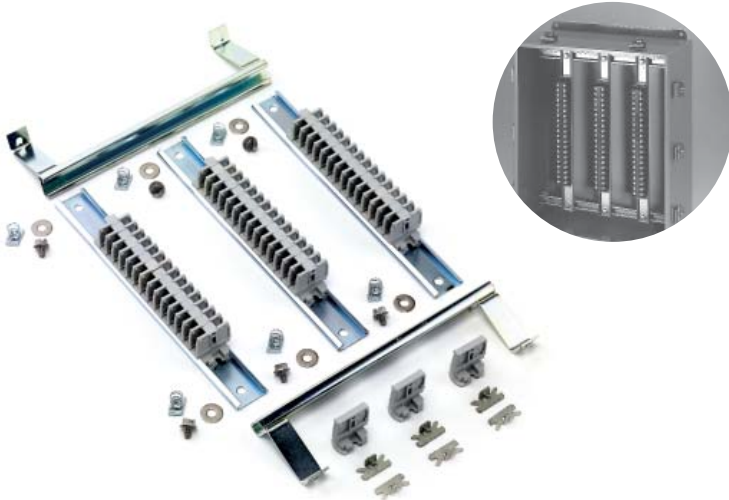


Notes: Dimensions are in inches. Millimeters shown are for reference only. Data subject to change without notice.

Electrical Accessories

JIC Terminal Block Strip Kit

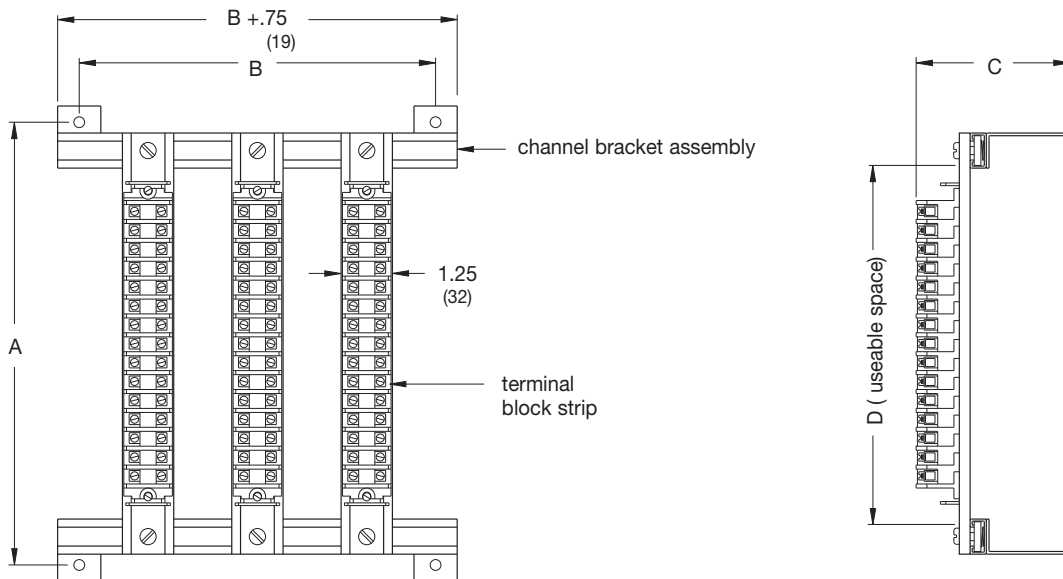
Illustration Sheet and Catalog Number



JIC terminal block strip kits fit all styles and types of JIC enclosures. Kits are furnished with terminal strips and contain medium duty channel mount terminal blocks, terminal end and clamps. Terminals have tubular screw type lugs which accept wire sizes from #18 through #8. Terminal strips are fastened to channel nuts which allow them to adjust along the entire width of the channel bracket assembly.

Extra strip kits can be ordered separately. They come furnished with all the hardware necessary for channel mounting but do not include the terminal blocks. Terminal blocks, ends and clamps can be ordered separately.

Terminal Block Strip Kit Catalog #	A		B		C		D		Quantity of Straps	Fits Enclosure Height x Width		Extra Strip Kit Catalog #
	in.	mm.	in.	mm.	in.	mm.	in.	mm.		in.	mm.	
CH86TB	6.25	159	4.25	108	2.15	55	4.50	114	2	8.00 x 6.00	203 x 152	CH8TB
CH108TB	8.25	210	6.25	159	2.15	55	6.50	165	2	10.00 x 8.00	254 x 203	CH10TB
CH1210TB	10.25	260	8.25	210	3.56	90	8.50	216	3	12.00 x 10.00	305 x 254	CH12TB
CH1412TB	12.25	311	10.25	260	3.56	90	10.50	267	3	14.00 x 12.00	356 x 305	CH14TB
CH1614TB	14.25	362	12.25	311	3.56	90	12.50	318	4	16.00 x 14.00	406 x 356	CH16TB

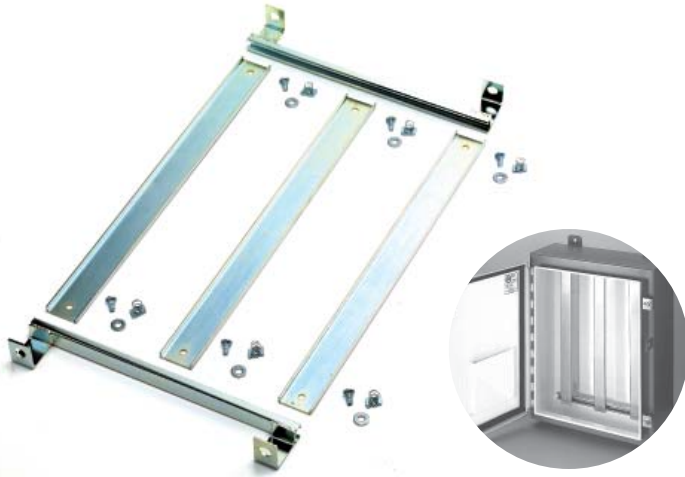


Notes: Dimensions are in inches. Millimeters shown are for reference only. Data subject to change without notice.

Accessories

Electrical Accessories NEMA Terminal Strap Kits

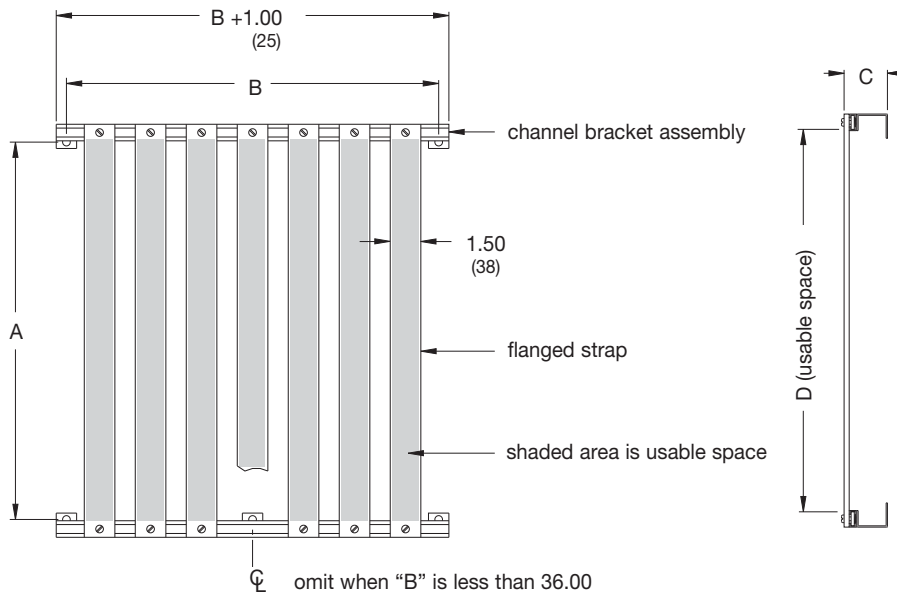
Illustration Sheet and Catalog Number



NEMA terminal strap kits fit Type 4, Type 4X and Type 12 enclosures. Kits are furnished with flanged straps for mounting flat base terminal blocks. There is adequate space on each terminal strap should the user wish to provide another style block. Terminal straps are (14) gauge steel with an electrogalvanized finish. They are fastened to channel nuts which allow them to adjust along the width of the channel bracket assembly. Three channel brackets are supplied with kits that fit enclosures that are 36 inches wide.

Extra strap kits can be ordered separately and come furnished with all hardware necessary for channel mounting.

Terminal Strap Kit Catalog #	A		B		C		D		Quantity of Straps	Fits Enclosure Height x Width		Extra Strap Kit Catalog #
	in.	mm	in.	mm	in.	mm	in.	mm		in.	mm	
CH16TS12	11.25	286	7.25	184	2.18	55	11.75	298	2	16.00 x 12.00	406 x 305	CH16S
CH20TS16	15.25	387	11.25	286	2.18	55	15.75	400	3	20.00 x 16.00	508 x 406	CH20S
CH20TS20	15.25	387	15.25	387	2.18	55	15.75	400	4	20.00 x 20.00	508 x 508	CH20S
CH24TS20	19.25	489	15.25	387	2.18	55	19.75	502	4	24.00 x 20.00	610 x 508	CH24S
CH24TS24	19.25	489	19.25	489	2.18	55	19.75	502	5	24.00 x 24.00	610 x 610	CH24S
CH30TS20	25.25	641	15.25	387	2.18	55	25.75	654	4	30.00 x 20.00	762 x 508	CH30S
CH30TS24	25.25	641	19.25	489	2.18	55	25.75	654	5	30.00 x 24.00	762 x 610	CH30S
CH36TS24	31.25	794	19.25	489	2.18	55	31.75	806	5	36.00 x 24.00	914 x 610	CH36S
CH36TS30	31.25	794	25.25	641	2.18	55	31.75	806	6	36.00 x 30.00	914 x 762	CH36S
CH42TS30	37.25	946	25.25	641	2.18	55	37.75	959	6	42.00 x 30.00	1067 x 762	CH42S
CH48TS36	43.25	1099	31.25	794	2.18	55	43.75	1111	7	48.00 x 36.00	1219 x 914	CH48S
CH60TS36	55.25	1403	31.25	794	2.18	55	55.75	1416	7	60.00 x 36.00	1524 x 914	CH60S



Electrical Accessories Channel Mounted Terminal Blocks Illustration Sheet and Catalog Number

Medium duty channel mount terminal blocks are rated at 600 VAC, 50 Amps. Terminal lugs are plated copper and have tubular screw contacts. Terminal wire range is from #22 through #8 AWG. Each terminal block top has a painted marking area intended for circuit designation.

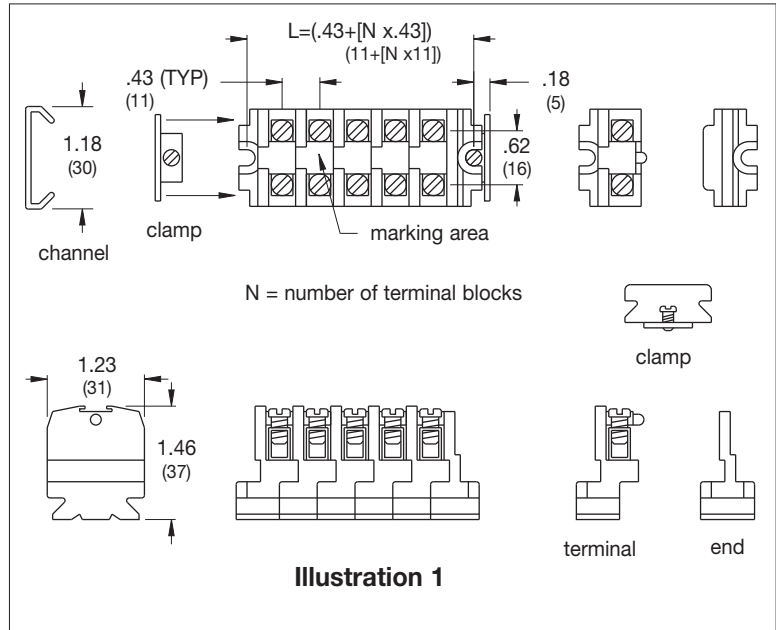
These blocks are designed to dovetail into channel and can be stacked in combination with both medium duty and/or heavy duty channel mount type terminals. One channel mount terminal end and two channel clamps are required to terminate a stack of blocks (order separately).



CHCTB3005



CHCTE3001



Heavy duty channel mount terminal blocks are rated at 600 VAC, 90 Amps. Terminal lugs are plated copper and have tubular screw contacts. Terminal wire range is from #18 through #4 AWG. Each terminal block top has a painted marking area intended for circuit designation.

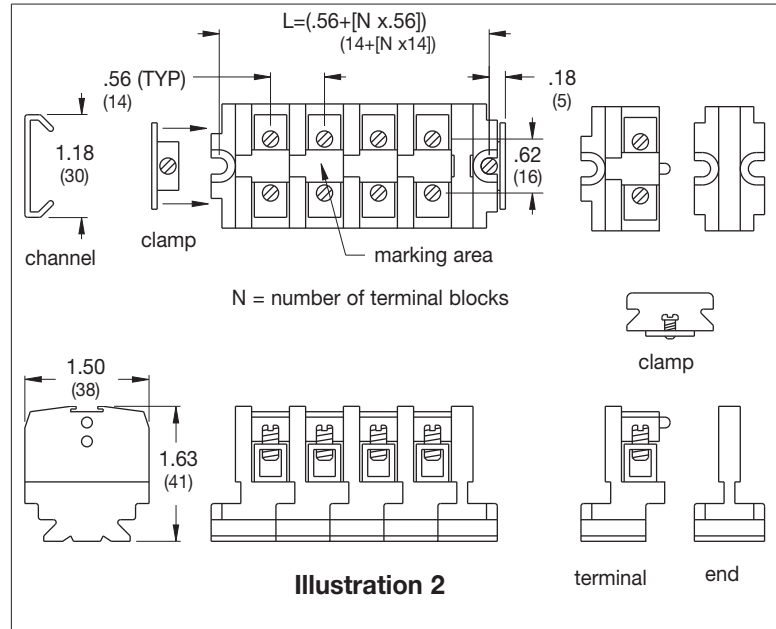
These blocks are designed to dovetail into channel and can be stacked in combination with both heavy duty and/or medium duty channel mount type terminals. One channel mount terminal end and two channel clamps are required to terminate a stack of blocks (order separately).



CHCT6005



CHCE6001



CHCTC2



CH25012A

Catalog #	Description	Illustration	Quantity
CHCTB3005	Medium duty channel mount terminal	1	5
CHCTE3001	Medium duty channel mount end	1	1
CHCT6005	Heavy duty channel mount terminal	2	5
CHCE6001	Heavy duty channel mount end	2	1
CHCTC2	Channel mount terminal clamp	1 & 2	2
CH25012A	Channel Strip (72 inch)	1 & 2	1

Notes: Dimensions are in inches. Millimeters shown are for reference only. Data subject to change without notice.

Electrical Accessories Flat Base Terminal Blocks

Illustration Sheet and Catalog Number

Medium duty flat base type terminal blocks are rated at 600 VAC, 50 Amps. Terminal lugs are plated copper and have tubular screw contacts. Terminal wire range is from #22 through #8 AWG. Each terminal block top has a painted marking area intended for circuit designation.

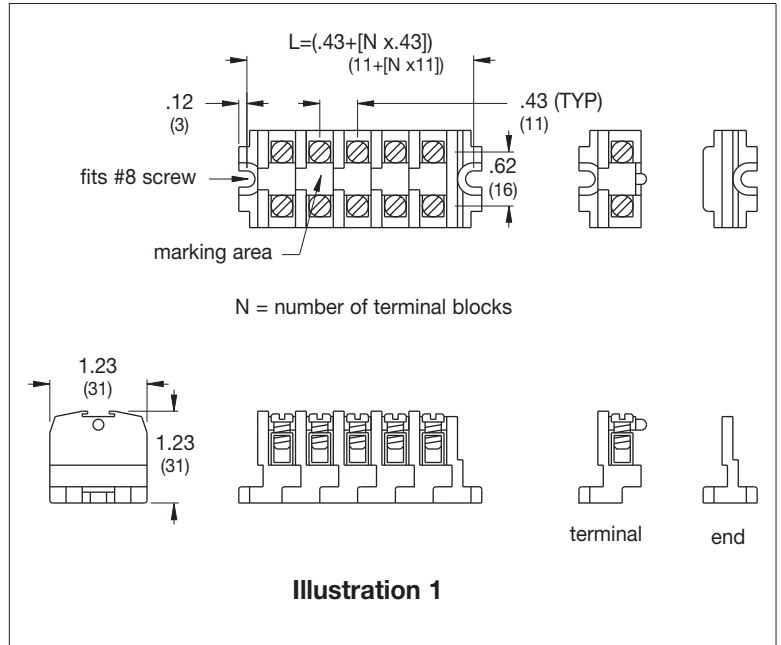
These blocks are designed to stack in combination with both medium duty and/or heavy duty channel mount type terminals. One flat based terminal end and hardware is required to terminate a stack of blocks (order separately).



CHFTB3005



CHFTE3001



Heavy duty flat base terminal blocks are rated at 600 VAC, 90 Amps. Terminal lugs are plated copper and have tubular screw contacts. Terminal wire range is from #18 through #4 AWG. Each terminal block top has a painted marking area intended for circuit designation.

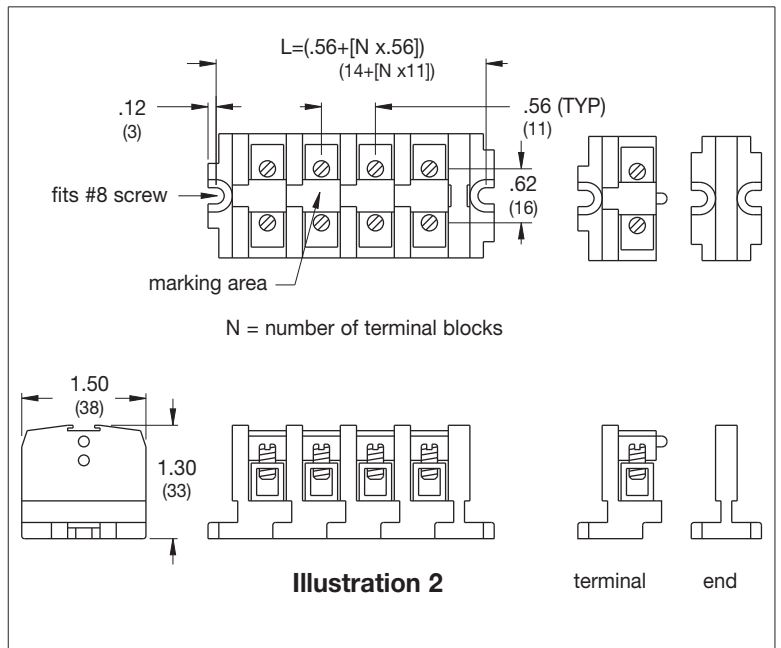
These blocks are designed to stack in combination with both heavy duty and/or medium duty flat base type terminals. One flat base terminal end and hardware is required to terminate a stack of blocks (order separately).



CHFT6005



CHFTE6001



Catalog #	Description	Illustration	Quantity
CHFTB3005	Medium duty flat base terminal	1	5
CHFTE3001	Medium duty flat end, (includes #8 screws)	1	1
CHFT6005	Heavy duty flat base terminal	2	5
CHFTE6001	Heavy duty flat end, (includes #8 screws)	2	1

Notes: Dimensions are in inches. Millimeters shown are for reference only. Data subject to change without notice.

Accessories

Electrical Accessories Terminal Strap Support

Illustration Sheet and Catalog Number



Catalog #	Description
CHTSK	(2) support brackets

This kit is intended for supporting the terminal straps and strips off the back of panels or enclosure walls.

The "Z" shaped brackets are made from (12) gauge steel and have a white enamel paint finish.

Two brackets and hardware are furnished with each kit. Terminal straps and strips must be purchased separately.

Accessories

Electrical Accessories

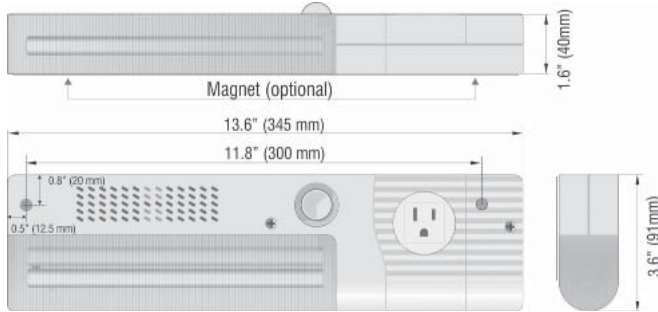
Enclosure Lights

Illustration Sheet and Catalog Number



CHELS25-120

CHELMS25-120



Note: A passive infrared (PIR) motion sensor detects the motion of the enclosure door being opened and automatically turns on the light. The sensor is factory pre-set to turn the light off 5 minutes after all motion ceases. The motion sensor does not detect movement through glass or fiberglass, thus allowing installation in enclosure with glass doors.

Catalog #	Description
CHELS25-120	Enclosure light with ON/OFF switch
CHELMS25-120	Enclosure light with motion sensor

The CHELS25 light was designed to fit in tight spaces in enclosures. It features an optional integrated receptacle so that electrical devices (e.g. power tools) can be easily plugged in when needed. The standard light can be screw mounted in a variety of positions, or the light can be fitted with a magnet mount (sold separately - consult factory). The motion sensor version was designed to eliminate the need for a door switch.

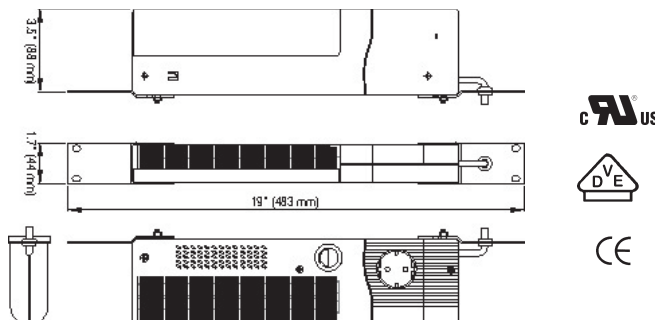
Technical Data

Operating Voltage:	110-120V/50-60 Hz
Lamp Type:	Compact fluorescent light bulb
Power Consumption:	11 W (~75W incand.), Base: 2G7, electronic ballast
Light Intensity:	900 Lm
Lamp Life:	5,000 hours
Switch:	On/off switch (for light only)
Motion Sensor:	PIR = Passive Infrared (see note)
Receptacle:	US/Canada, 120 VAC, 15A max.
Connection:	3-pole screw terminal for AWG 14 max. (2.5 mm ²) (includes cable strain relief)
Mounting:	M5 screws (not included), 11.8" (300mm) hole distance or optional attached magnet (consult factory)
Dimensions:	Length 13.6" (345mm) x Width 3.6" (91mm) x Depth 1.6" (40mm)
Housing:	Plastic UL94V-0
Weight:	0.9 lbs. (0.4 kg) - 1.3 lbs. (0.6 kg) with magnet
Protection Type:	IP 20
Agency Approvals:	VDE, UL



The CHELMSRM25 light is suitable for lighting in 19" racks, (e.g. for keyboards). Because of the flat design of the light, only one rack unit (43.6mm) in height is needed. Additionally, it is fitted with a reflector which serves as a glare shield, thereby illuminating the area below the light only.

The light also features an integrated receptacle, allowing for the use of additional electrical devices, such as power tools.



Catalog #	Description
CHELMSRM25-120	Enclosure light for 19" racks, integrated receptacle

Technical Data

Operating Voltage:	110-120V/50-60 Hz
Lamp Type:	Compact fluorescent light bulb
Power Consumption:	11 W (~75W incand.), Base: 2G7, electronic ballast
Light Intensity:	900 Lm
Lamp Life:	5,000 hours
Switch:	On/off switch (for light only)
Receptacle:	US/Canada, 120 VAC, 15A max.
Connection:	3-pole screw terminal for AWG 14 max. (2.5 mm ²) (includes cable strain relief only - no cable provided)
Mounting:	Screws mounting (max. 1/4")
Mounting Bracket:	Aluminum, with cable bushing
Dimensions:	Lamp 13.6" (345mm) x Width 3.6" (91mm) x Depth 1.6" (40mm) total length 19" (482mm)
Housing:	Plastic UL94V-0
Weight:	1.1 lbs. (0.5 kg)
Operating Temp:	-4°F to +122°F (-20°C to +50°C)
Storage Temp:	-49°F to +158°F (-45°C to +70°C)
Protection Type:	IP 20
Protection Class:	I (grounded) with receptacle, II (double insulated) without receptacle
Agency Approvals:	VDE, UL

Notes: Dimensions are in inches. Millimeters shown are for reference only. Data subject to change without notice.

Accessories

Electrical Accessories Interlocks & Power Strips Illustration Sheet and Catalog Number



Electrical Interlocks

Catalog #	Description	Volts/Hz
CHBAEK115NDH	Electrical interlock	120/60

The CHBAEK115NDH is designed to be used with standard Crouse-Hinds enclosures that have no handles. This interlock requires drilling several holes in the cover and the body for mounting.

Electrical Defeater

Catalog #	Description
CHBAEKDF	Defeater

This defeater is key operated and enables personnel to enter an enclosure while the enclosures' internal components are energized. Turning the key disengages the circuit to the electrical interlock.

Power Strips

Catalog #	Description	Weight Each	
		lbs.	kg.
CHE2-PS-2.5F-6P-15A-S	Power strip, 2.5 ft, 6 Port	3.0	1.3
CHE2-PS-3.5F-6P-15A-S	Power strip, 3.5 ft, 6 Port	4.0	1.8
CHE2-PS-5F-10P-15A-S	Power strip, 5 ft, 10 Port	4.0	1.8
CHE2-PS-6F-12P-15A-S	Power strip, 6 ft, 12 Port	4.0	1.8
CHE2-PS-2.5F-6P-15A-L	Power strip, 2.5 ft, 6 Port	3.0	1.3
CHE2-PS-3.5F-6P-15A-L	Power strip, 3.5 ft, 6 Port	4.0	1.8
CHE2-PS-5F-10P-15A-L	Power strip, 5 ft, 10 Port	4.0	1.8
CHE2-PS-6F-12P-15A-L	Power strip, 6 ft, 12 Port	4.0	1.8
CHE2-PS-2.5F-6P-20A-L	Power strip, 2.5 ft, 6 Port	5.0	2.2
CHE2-PS-3.5F-6P-20A-L	Power strip, 3.5 ft, 6 Port	7.0	3.2
CHE2-PS-5F-10P-20A-L	Power strip, 5 ft, 10 Port	6.0	2.7
CHE2-PS-6F-12P-20A-L	Power strip, 6 ft, 12 Port	7.0	3.2

Rack Mount Power Strips

Catalog #	Description	Weight Each	
		lbs.	kg.
CHE2-PS-RM-6P-15A-SS	19" rack mount-surged	2.0	0.9
CHE2-PS-RM-6P-15A-NS	19" rack mount non-surged	2.0	0.9

Rack mount power strips are available in surge and non-surge design. Both with six (6) port configuration and 15 ft. (1.8m) cord.

Notes: Dimensions are in inches. Millimeters shown are for reference only. Data subject to change without notice.

Accessories

Electrical Accessories

Receptacles

Illustration Sheet and Catalog Number



Receptacles for Enclosures

Catalog #	Description
CHER1	USA/Canada
CHER2	Germany
CHER3	France/Benelux
CHER4	Switzerland
CHER5	Great Britain/Ireland

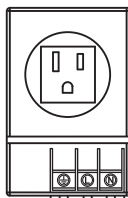
Provide a safe and convenient method for adding a receptacle/outlet inside electrical enclosures.

Technical Data

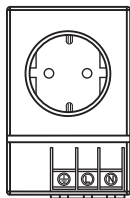
Maximum Ratings:	15 amps @125 VAC
Mounting:	Clip for 35 mm DIN rail, EN 50022
Connection:	3xAWG14 max. (2.5 mm)
Dimensions:	3.6 x 2.4 x 1.9" (92 x 62 x 48 mm)



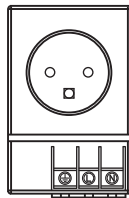
USA/Canada



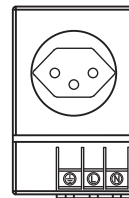
Germany



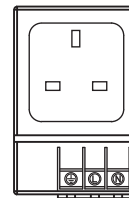
France



Switzerland



GB



Notes: Dimensions are in inches. Millimeters shown are for reference only. Data subject to change without notice.

Hardware Hardware Packages & Grounding Devices Illustration Sheet and Catalog Number

Hardware Packages

Catalog #	Description	Typical Use	Quantity
CH10168	#8-32 x .375 inch self-tapping steel screw	Perforated panels	20
CH10169	#10-32 screw	JIC 12 & 14, small 3R & 1 panel mounting	4
CH10240 A	#10-32 stainless screw	JIC 4X panel mounting	4
CH10242 A	.375-16 stainless flange nut	NEMA 4X panel mounting	4
CH10242 B	.375-16 stainless flange nut	NEMA 4X panel mounting	6
CH10242 C	.375-16 stainless flange nut	NEMA 4X panel mounting	8
CH10242 D	.375-16 stainless flange nut	NEMA 4X panel mounting	10
CH10243 A	.375-16 flange nut	NEMA 12 & 4, large 3R panel mounting	4
CH10243 B	.375-16 flange nut	NEMA 12 & 4, large 3R panel mounting	6
CH10243 C	.375-16 flange nut	NEMA 12 & 4, large 3R panel mounting	8
CH10243 D	.375-16 flange nut	NEMA 12 & 4, large 3R panel mounting	10
CH10108 A	Formed hinge and screw	RTHC cover mounting	2
CH10118 A	#10-32 gasketed screw	WPSC cover mounting	10
CH10129 A	Oval head screw, cupped washer	Type 1 telephone cabinet cover mounting	10
CH10119 A	#10-32 retaining screw & washer	JIC-SC, console, console, pushbutton cover mounting	10
CH10166 A	10-32 x .50 inch steel screw	Miscellaneous cover mounting	20
CH10167 A	10-32 x .50 inch stainless screw	Miscellaneous cover mounting	20

A variety of hardware packages intended to be used as replacement hardware parts for the different styles and types of Crouse-Hinds enclosures. For more information or for availability of other replacement parts, consult factory.

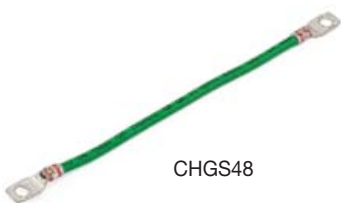
Grounding Devices



CHGLK2



CHGS88



CHGS48



CHGS816



CHGS416

Catalog #	Description	Approximate Wire Size	Length between Ring Terminals		Ring Terminal for Stud Diameter	
			in.	mm.	in.	mm.
CHGLK2	Grounding kit	-	-	-	-	-
CHGS88	Grounding strap	#8	8.00	203	.250	6
CHGS816	Grounding strap	#8	16.00	406	.250	6
CHGS48	Grounding strap	#4	8.00	203	.375	10
CHGS416	Grounding strap	#4	16.00	406	.375	10

CSA grounding kit is intended for use on industrial control enclosures with panels where product must comply with Canadian Standards Association (CSA) requirements.

The kit includes hardware, labels and instructions for application. The grounding strap is used to provide electrical continuity between metal parts which must be electrically connected. The strap is stranded copper with a ring terminal at each end. The strap is insulated in green wrap.

Accessories

Hardware

Grounding Lugs, Sealing Devices, Channel Nuts & Touch-up Paint

Illustration Sheet and Catalog Number



Ground Lug Kits

Catalog #	Wire Range	Fastener
CH10184 A	#6-#14 AWG CU/AL	#10-32
CH10184 B	1/0-#14 AWG CU/AL	#10-32
CH10184 C	250MCM-1/0 AWG CU/AL	.25-20

Ground lug kits are intended to provide a means for equipment grounding for most enclosures. Lug sizes 1/0 and above have a “J” shaped design to lay-in wire and cable. The fastener is colored green to meet NEC standards for grounding devices.

Sealing Device Packages

Catalog #	Description	Quantity
CHSEALS	Wire seal screw	10
CHSEALWN	Wire seal wing nut	10
CHSEALC	Wire seal clip	10

Sealing hardware devices are used as replacement pieces for various enclosures and wireway. All hardware is plated.



Channel/Clamping Nut Packages

Catalog #	Wire Range	Fastener
CHTN228-20	Large, .375-16 thread	20
CHN624-20	Small, .25-20 thread	20
CHN627-20	Small, 10-32 thread	20

Channel nuts are intended to be used on channel strut typically found in consoles, free-standing, terminal, and disconnect enclosures. There are two sizes of clamp nuts available. One size fits the 1.62 inch wide (large) channel; The other fits the .81 inch wide (small) channel. The small channel nuts come in two thread sizes (see table).

Touch-up Paint

Catalog #	Description
CH84033	White enamel touch-up paint
CH84034	ANSI 61 gray touch-up paint

Touch-up paint can be used to repair the finish of panels and enclosures. Paint is available in ANSI 61 and white enamel in 12oz. spray cans.

