

Applications:

- GUBA instrument housings are used:
- To enclose ammeters, voltmeters, wattmeters, varimeters, power-factor meters, tachometer, or other indicating devices
 - In specific hazardous atmospheres such as encountered in oil refineries, chemical plants, paint and varnish manufacturing plants

Features:

- Threaded covers have glass windows for viewing scale, dial, or setting of enclosed instrument
- Mounting plates, brackets, or pillars for mounting a wide variety of instruments are available

Certifications & Compliances:

- Certificate of Compliance No. Ex262 to AS2480
- IP66 to AS1939

Standard Materials:

- Body - copper-free aluminum
- Cover - copper-free aluminum
- Window - toughened

Standard Finish:

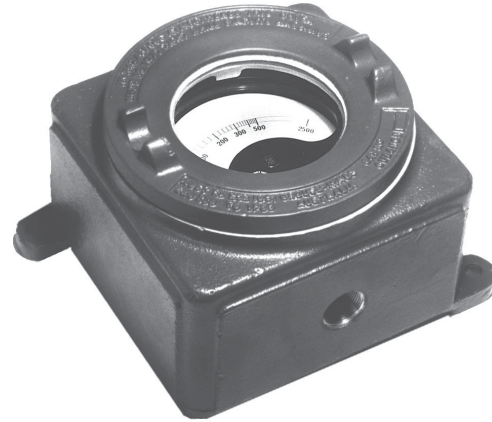
- Light grey corrosion resistant polyurethane

Options:

- Other conduit hub sizes and arrangements can be furnished
- Meter - 90° quadrant or 250° long scale

Notes:

- Accommodates any make of meter styles 96Q or 96L
- Instrument to be used must be specified by make, complete identification data, and dimensions

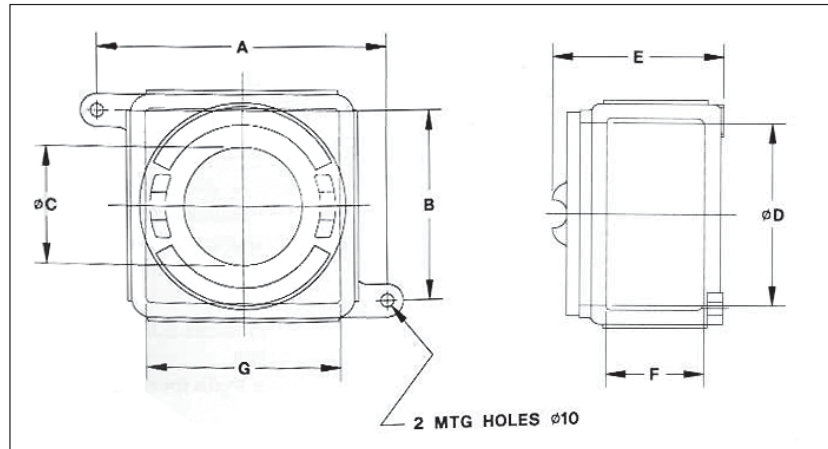


Ordering Information:

Basic Housing	Entry Size	Position	Cat. #
GUBA01	25mm	Top	GUBA 1103-1-20
GUBA01	25mm	Bottom	GUBA 1103-1-02

Dimensions

In Millimeters:



A	B	C	D	E	F	G
195	145	93	140	135	77	145